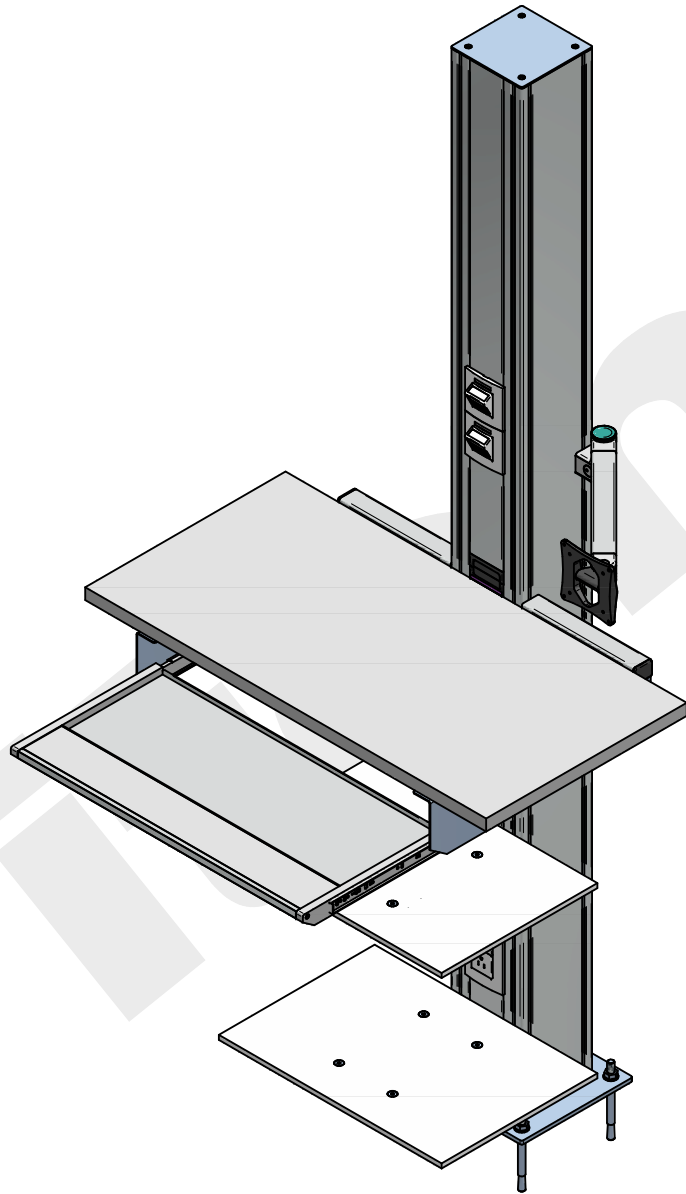


PROYECT NAME: Columna instalación		
DESIGN BY:	DAlvarez	20/01/2020
DRAWING BY:	DAlvarez	21/05/2022
CUSTOMER APPROVAL		

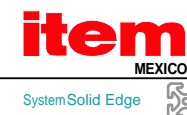


CUSTOMER: Booster Precision Components		
DWG. NAME:	CS-M001421	
SOLUTION:		REV.: 1
Unless otherwise specified, all measures are in mm		PAGE: 1



Item #	Qty.	Part #	Description	Length	Width
1*	8	0002618	T-Slot Nut 8 St M8, bright zinc-plated		
2*	2	0002623	T-Slot Nut 8 St M6, bright zinc-plated		
3*	2	0047306	Plastic 10mm, white similar to RAL 9016	500.00	350.00
4*	4	0048583	Floor-Fastening Set M12x150, bright		
5*	2	0049497	Profile 8 40x32 light, natural	250	
6*	2	0061023	Cap 8 40x32, black		
7*	4	0062716	Cap 8 40x40, grey similar to RAL 7042		
8*	1	0064944	Monitorarm		
9*	1	0066339	Installation Column Profile 8 160x160 K76,	2000	
10*	1	0066341	Cover Profile 76 Al, natural	200	
11*	1	0066341	Cover Profile 76 Al, natural	2000	
12*	1	0066341	Cover Profile 76 Al, natural	229.5	
13*	1	0066341	Cover Profile 76 Al, natural	605	
14*	1	0066341	Cover Profile 76 Al, natural	637.5	
15*	30	0066342	Locking Clip St, bright zinc-plated		
16*	1	0066344	Base Plate, Installation Column Profile		
17*	2	0066352	Mounting Box K76 M45 1 Gang, grey		
18*	1	0066353	Mounting Box K76 M45 2 Gang, grey		
19*	2	0066368	Face Plate M45 1 Gang with Labelling		
20*	1	0066371	Face Plate M45 2 Gang with Labelling		
21*	4	0066379	Keystone Module RJ45 Cat 6A		
22*	2	0066380	Keystone Module Housing RJ45 M45,		
23*	1	0066387	Cable Entry Protector K76 with Sealing		
24*	2	0066953	Socket US M45 1 Gang		
25*	6	0067012	Angle Bracket Set 8 80x80, grey		
26*	1	0067457	Cap 8 160x160 St		
27*	1	0068619	Table Top Support Set 8 420-45°		
28*	1	0069126	Pull-Out Keyboard Shelf		
29*	1	0069486	Table Top 25-900x450 to suit Table Top		
30*	4	7000009	Profile 8 40x40 E, natural	300	
31*	8	8000182	Countersunk Screw DIN 7991 M8x20,		
32*	2	8000240	Button-Head Screw M6x12, bright		

PROYECT NAME: Columna instalación		
DESIGN BY:	DAlvarez	20/01/2020
DRAWING BY:	DAlvarez	21/05/2022
CUSTOMER APPROVAL		



CUSTOMER: Booster Precision Components	
DWG. NAME:	CS-M001421
SOLUTION:	REV.: 1
Unless otherwise specified, all measures are in mm	
PAGE: 2	