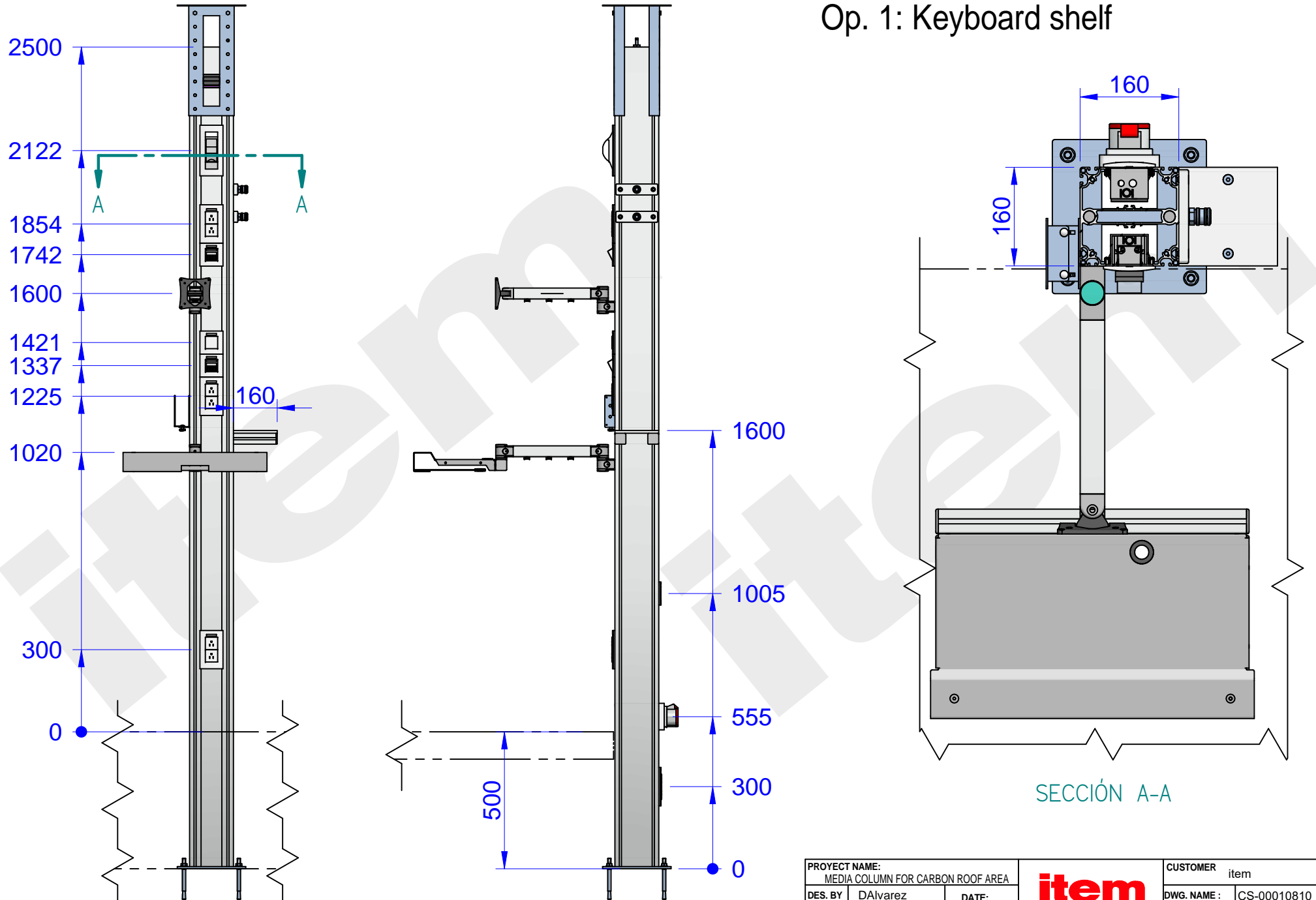
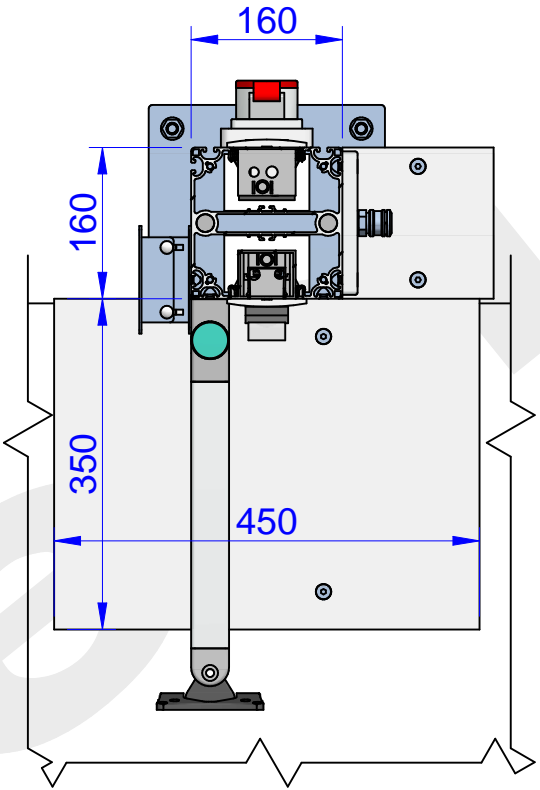
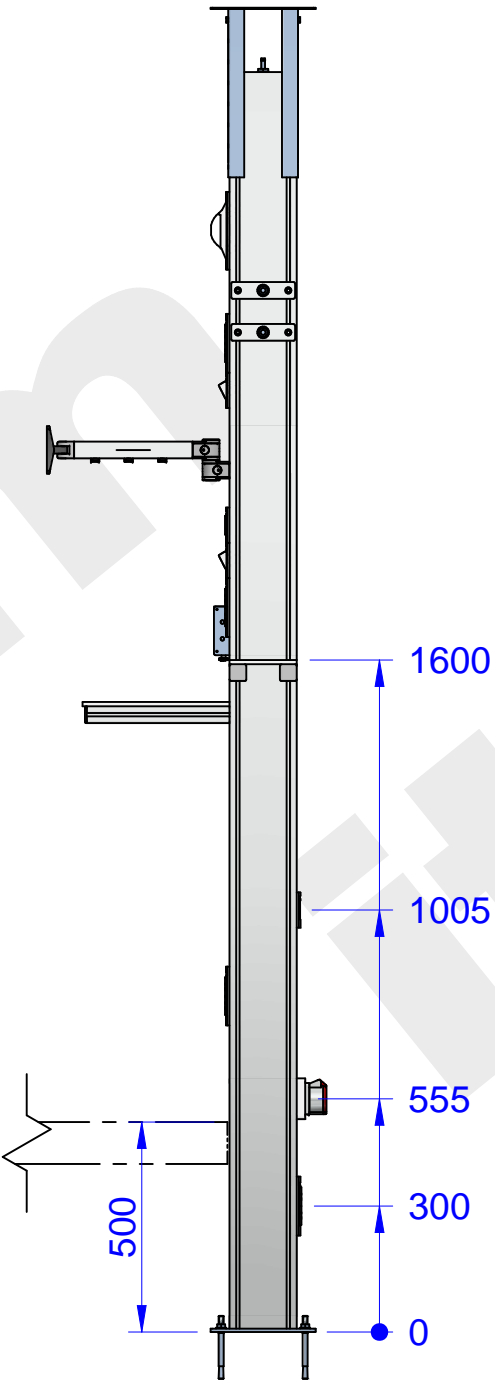
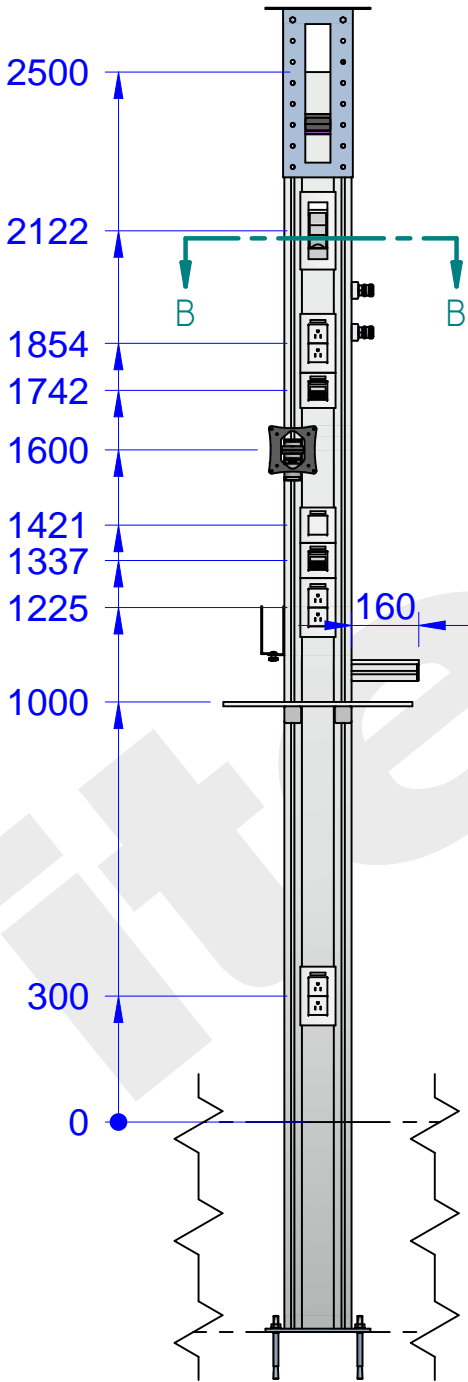


# Op. 1: Keyboard shelf



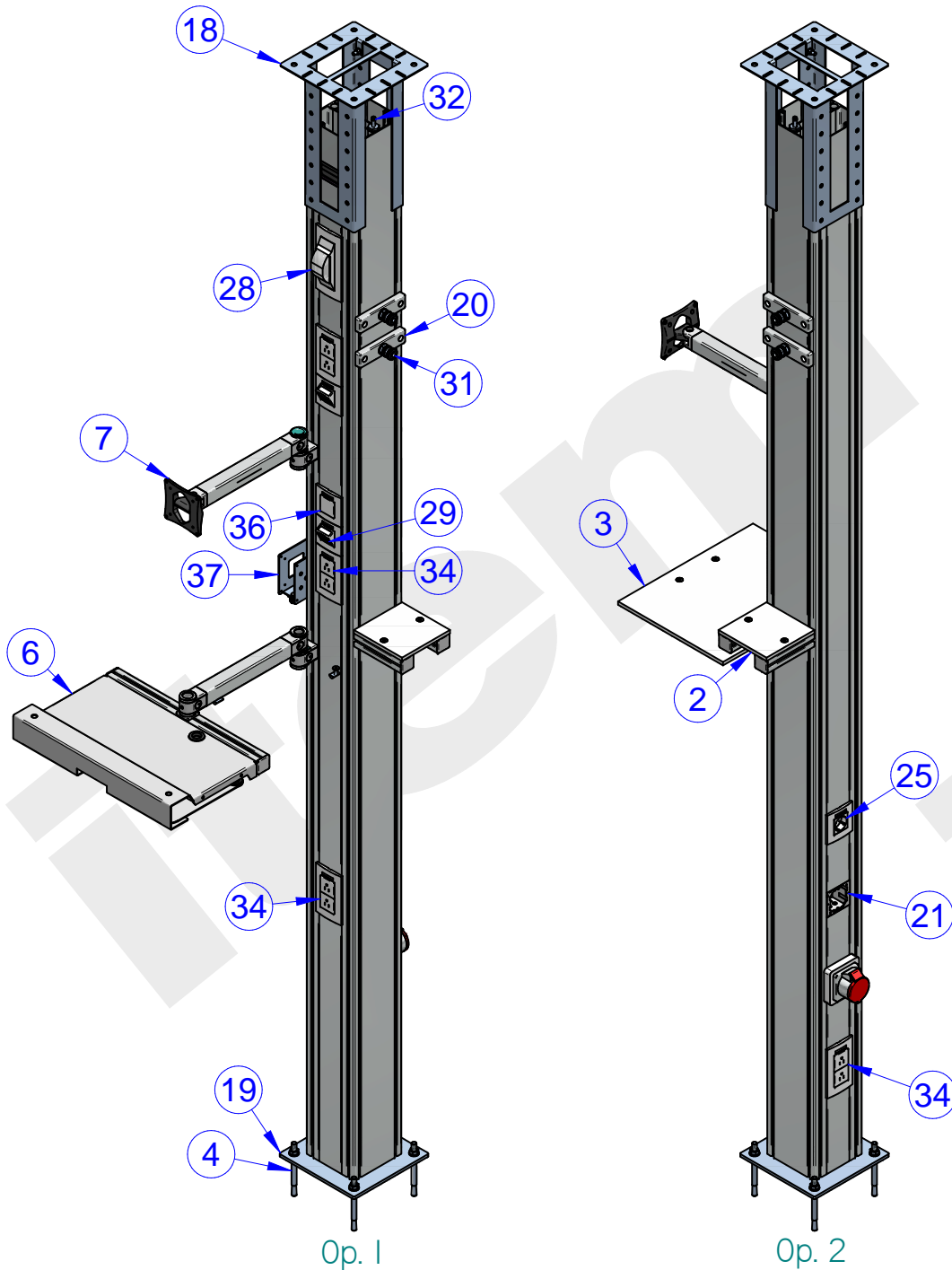
PROJECT NAME: MEDIA COLUMN FOR CARBON ROOF AREA				CUSTOMER item	
DES. BY DAlvarez	DATE: 05/08/2022			DWG. NAME : CS-00010810	REV. R2
DWG. BY DAlvarez	REV. BY		SOLUTION TYPE:	Unless otherwise specified, all measures are in mm	PAGE: 1

# Op. 2: Shelf 450 x 350mm



SECCIÓN B-B

PROJECT NAME: MEDIA COLUMN FOR CARBON ROOF AREA				CUSTOMER BMW	
DES. BY DAlvarez	DATE: 05/08/2022			DWG. NAME : BMW-8-4-BMW-469-R2	REV. R2
DWG. BY DAlvarez	REV. BY		SOLUTION TYPE:	Unless otherwise specified, all measures are in mm	PAGE: 2



Item #	Qty.	Part #	Description	Length	Width
1*	6	2618	T-Slot Nut 8 St M8, bright zinc-plated		
2	1	47307	Plastic 10mm, white similar to RAL 9016	160	160
3	1	47307	Plastic 10mm, white similar to RAL 9016	450	350
4	4	48583	Floor-Fastening Set M12x150, bright zinc-plated		
5*	4	62716	Cap 8 40x40, grey similar to RAL 7042		
6	1	64943	Keyboard Arm		
7	1	64944	Monitor Arm		
8*	1	66028	Installation Column Profile 8 160x160 K76, natural	2992	
9*	1	66340	Cover Profile 76 Al, natural	100	
10*	1	66340	Cover Profile 76 Al, natural	125	
11*	4	66340	Cover Profile 76 Al, natural	150	
12*	1	66340	Cover Profile 76 Al, natural	1959	
13*	1	66340	Cover Profile 76 Al, natural	229.5	
14*	1	66340	Cover Profile 76 Al, natural	250	
15*	1	66340	Cover Profile 76 Al, natural	729.5	
16*	1	66340	Cover Profile 76 Al, natural	800	
17*	50	66342	Locking Clip St, bright zinc-plated		
18	1	66343	Base Plate, Installation Column Profile		
19	1	66344	Base Plate, Installation Column Profile		
20	2	66345	Pneumatic Connecting Set 8 160x40 G1_2		
21	1	66350	Mounting Box K76 1 Gang, grey		
22*	4	66352	Mounting Box K76 M45 1 Gang, grey		
23*	4	66353	Mounting Box K76 M45 2 Gang, grey		
24*	1	66355	Strain Relief Device, Mounting Box K76, black		
25	1	66356	Steckdose 33 M45 1-fach, weiss		
26*	4	66368	Face Plate M45 1 Gang with Labelling Panel, white, similar to RAL 9010		
27*	4	66371	Face Plate M45 2 Gang with Labelling Panel, white, similar to RAL 9010		
28	1	66378	Installation Unit M45 2 HP with Mounting Rail		
29	4	66379	Keystone Module RJ45 Cat 6A		
30*	2	66380	Keystone Module Housing RJ45 M45, white, similar to RAL 9010		
31	2	66385	Vent Coupling G1_2 ND 7_2		
32	1	66386	Threaded Nozzle G1_2 for Hose 9 mm		
33*	1	66387	Cable Entry Protector K76 with Sealing Brush, black		
34	8	66953	Socket US M45 1 Gang		
35*	4	67284	Automatic-Fastening Set 8 40		
36	1	68933	ON_OFF Switch, 1-Pole M45 10A 250V, white		
37	1	69379	Thin Client Holder		
38*	1	70217	CEE Socket K76 16A 400V		
39*	2	45279	Profile 8 40x40 E, natural	156	
40*	2	45279	Profile 8 40x40 E, natural	340	
41*	6	8000182	Countersunk Screw DIN 7991 M8x20, bright zinc-plated		

PROJECT NAME: MEDIA COLUMN FOR CARBON ROOF AREA		
DES. BY	DAlvarez	DATE:
DWG. BY	DAlvarez	05/08/2022
REV. BY		



CUSTOMER BMW	
DWG. NAME :	BMW-8-4-BMW-469-R2
SOLUTION TYPE:	REV. R2
Unless otherwise specified, all measures are in mm	
PAGE: 3	