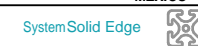
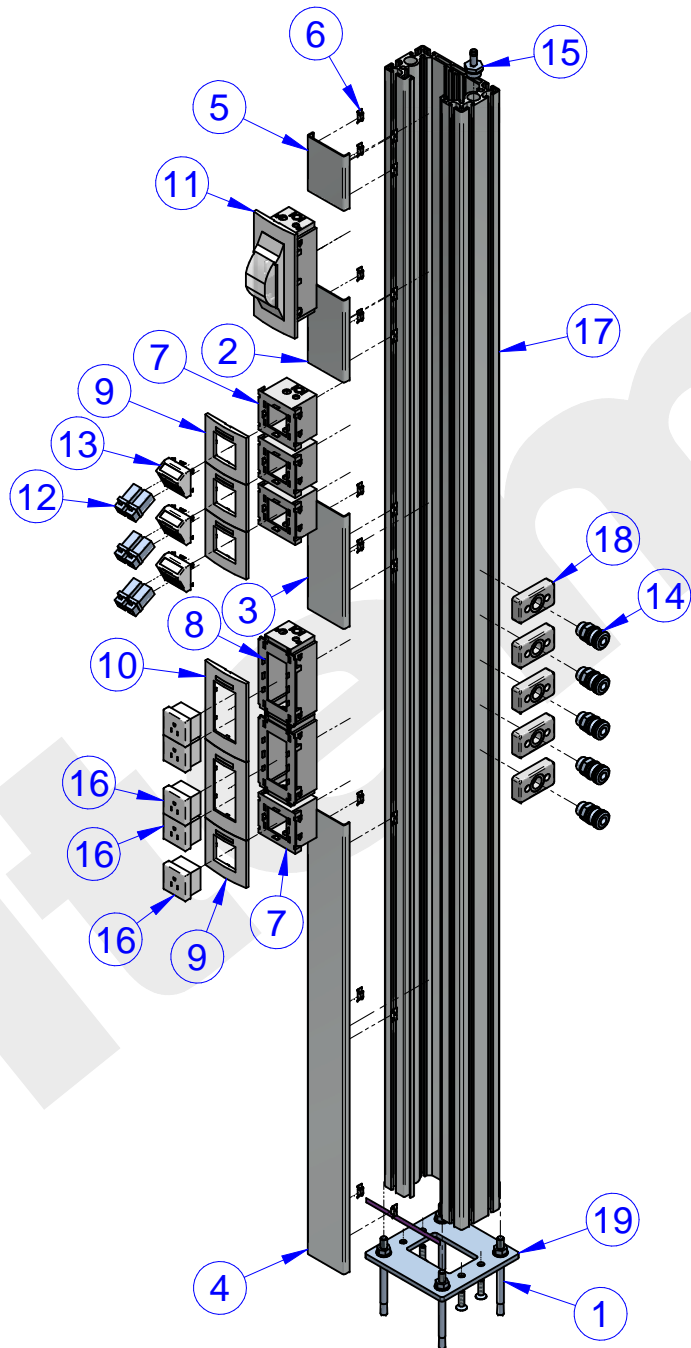


PROJECT NAME:		SUPPLY COLUMN (MOBILE)	
DESIGN BY:	DAlvarez	20/01/2020	
DRAWING BY:	DAlvarez	04/11/2021	
CUSTOMER APPROVAL			



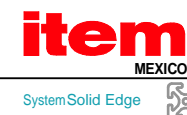
CUSTOMER:		item	
DWG. NAME:	CS-00010813	REV.:	A
SOLUTION:			
Unless otherwise specified, all measures are in mm			PAGE: 1





Item #	Qty.	Part #	Description	Length	Width
1	4	0048582	Floor-Fastening Set M10x135, bright		
2	1	0066341	Cover Profile 76 Al, natural	146	
3	1	0066341	Cover Profile 76 Al, natural	200	
4	1	0066341	Cover Profile 76 Al, natural	800	
5	1	0066341	Cover Profile 76 Al, natural	97	
6	18	0066342	Locking Clip St, bright zinc-plated		
7	4	0066352	Mounting Box K76 M45 1 Gang, grey		
8	2	0066353	Mounting Box K76 M45 2 Gang, grey		
9	4	0066368	Face Plate M45 1 Gang with Labelling		
10	2	0066371	Face Plate M45 2 Gang with Labelling		
11	1	0066378	Installation Unit M45 2 HP with Mounting		
12	6	0066379	Keystone Module RJ45 Cat 6A		
13	3	0066380	Keystone Module Housing RJ45 M45,		
14	5	0066385	Vent Coupling G1_2 ND 7_2		
15	1	0066386	Threaded Nozzle G1_2 for Hose 9 mm		
16	5	0066953	Socket US M45 1 Gang		
17	1	0067290	Installation Profile 8 160x80 K76	1992	
18	5	0067443	Pneumatic Connecting Set 8 80x40 G1/2		
19	1	0067609	Base Plate, Installation Profile 160x80		

PROJECT NAME: MX-11-02-MABEMPT-001-A.asm	
DESIGN BY:	DAlvarez 20/01/2020
DRAWING BY:	DAlvarez 04/11/2021
CUSTOMER APPROVAL	



CUSTOMER: MABE	
DWG. NAME:	MX-11-02-MABEMPT-001-A
SOLUTION:	REV.: A
Unless otherwise specified, all measures are in mm	
PAGE: 2	