

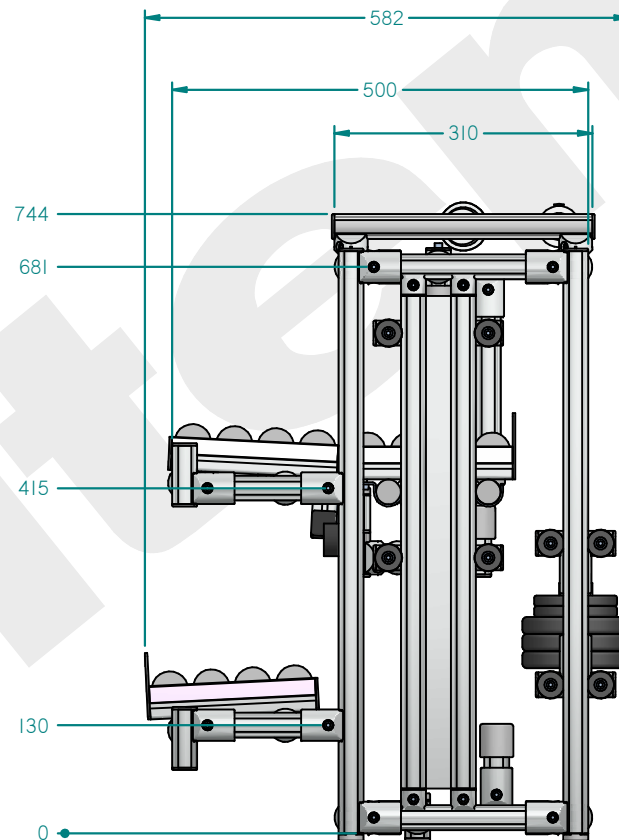
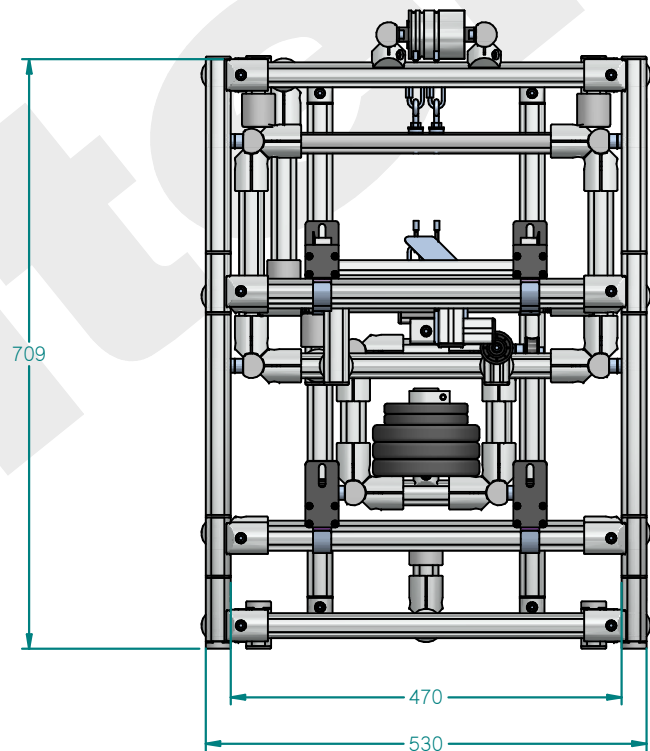
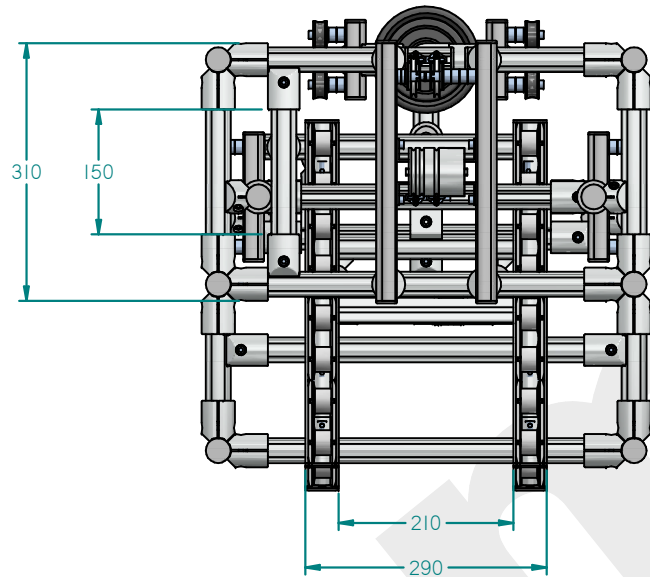
PROJECT NAME:
 CS-00011203_KARAKURI -LIFT.asm
 DESIGN BY: EdderAcuñaMora 05/05/2023
 DRAWING BY: EdderAcuñaMora 08/05/2023
 CUSTOMER APPROVAL

item
 MEXICO

SystemSolid Edge



CUSTOMER: ITEM	
DWG. NAME:	CS-00011203_KARAKURI -LIFT
SOLUTION:	REV.:
Unless otherwise specified, all measures are in mm	
PAGE: 1	



PROJECT NAME:	CS-00011203_KARAKURI -LIFT.asm
DESIGN BY:	EdderAcuñaMorad05/05/2023
DRAWING BY:	EdderAcuñaMorad08/05/2023
CUSTOMER APPROVAL	



SystemSolid Edge

CUSTOMER:	ITEM	
DWG. NAME:	CS-00011203_KARAKURI -LIFT	
SOLUTION:		REV.:
Unless otherwise specified, all measures are in mm		PAGE: 2