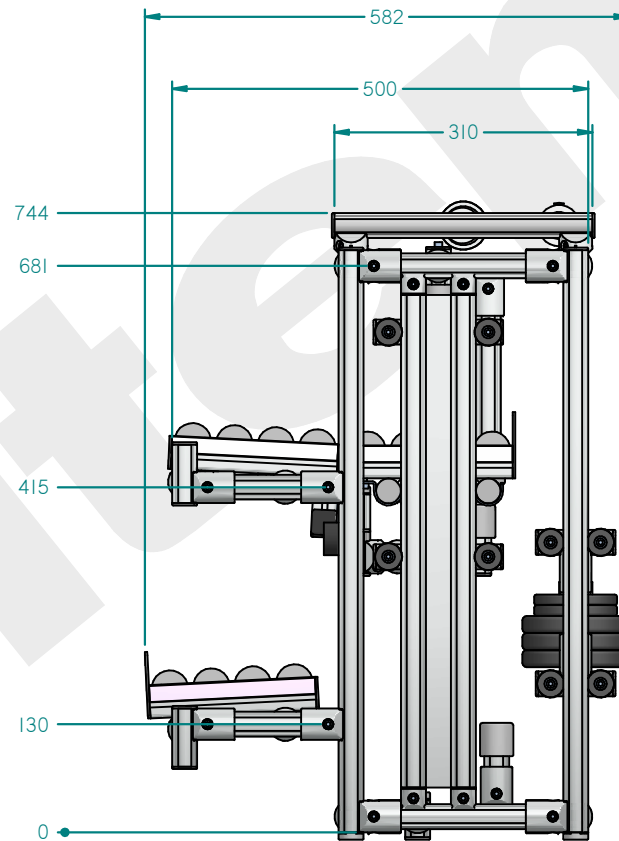
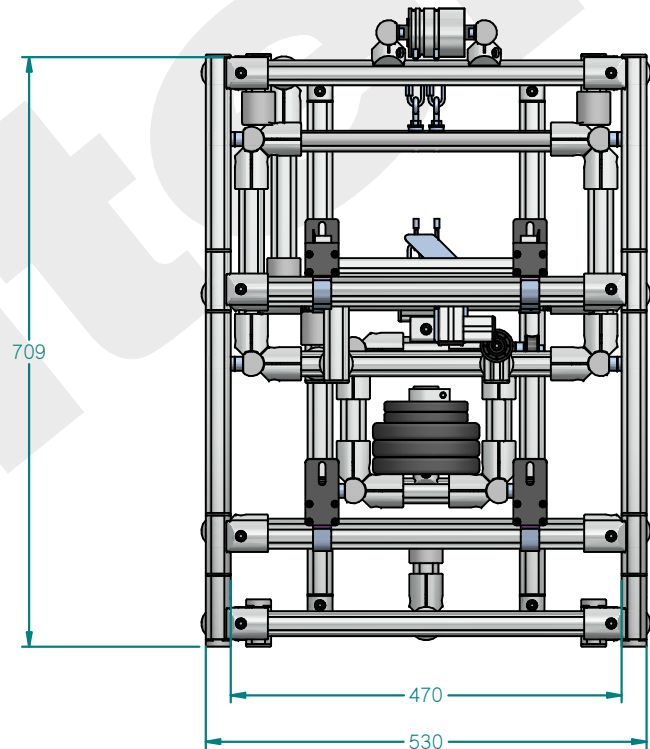
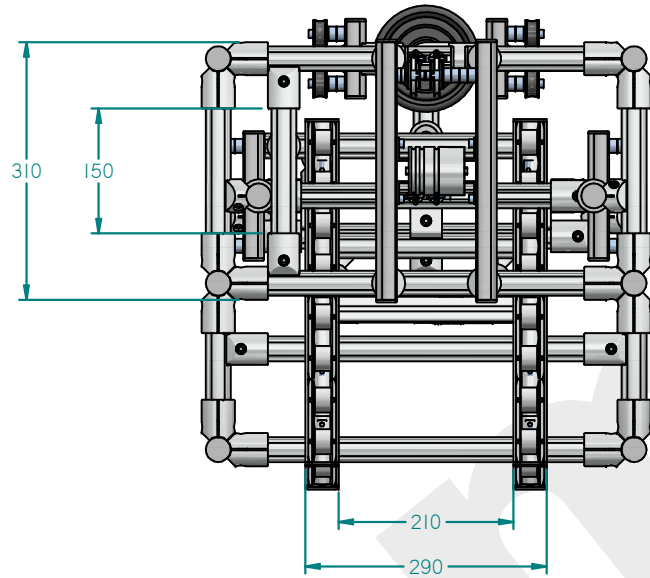


PROYECT NAME: CS-00011203_KARAKURI -LIFT.asm	
DESIGN BY:	EdderAcuñaMora 05/05/2023
DRAWING BY:	EdderAcuñaMora 08/05/2023
CUSTOMER APPROVAL	



CUSTOMER: ITEM	
DWG. NAME:	CS-00011203_KARAKURI -LIFT_DRAFT
SOLUTION:	REV.:
Unless otherwise specified, all measures are in mm	
PAGE: 1	

GENERAL VIEWS



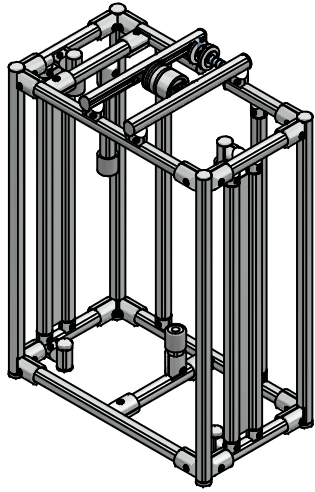
PROJECT NAME:	CS-00011203_KARAKURI -LIFT.asm
DESIGN BY:	EdderAcuñaMorad05/05/2023
DRAWING BY:	EdderAcuñaMorad08/05/2023
CUSTOMER APPROVAL	



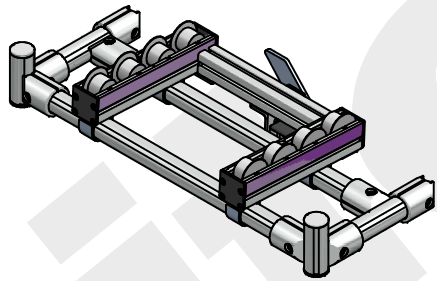
SystemSolid Edge 

CUSTOMER:	ITEM
DWG. NAME:	CS-00011203_KARAKURI -LIFT_DRAFT
SOLUTION:	
REV.:	
Unless otherwise specified, all measures are in mm	
PAGE:	2

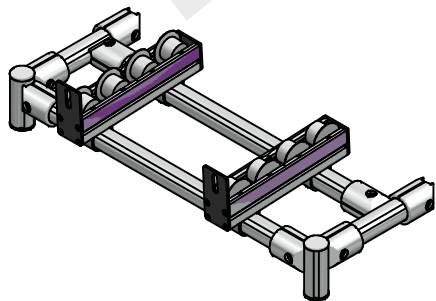
GENERAL SUB-ASSEMBLIES



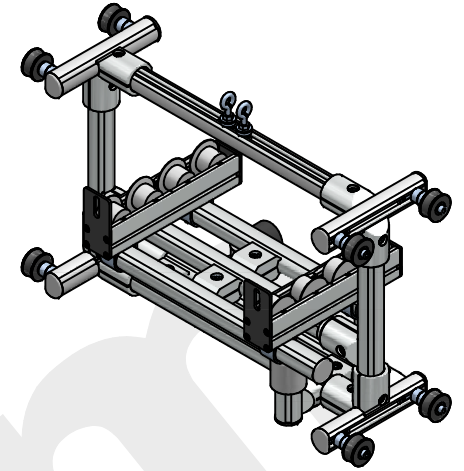
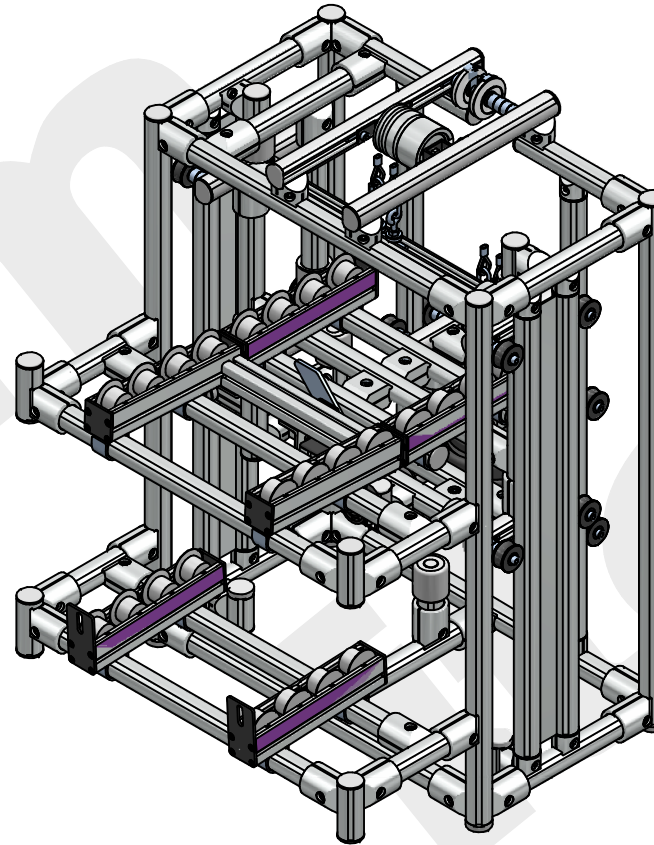
1
FRAME



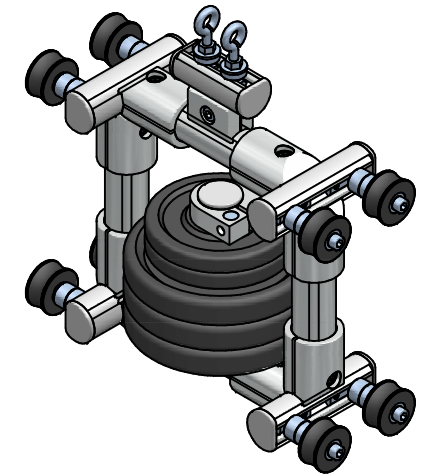
2
INPUT
CONVEYOR



3
OUTPUT
CONVEYOR



4
BASKET



5
WEIGHT
MODULE

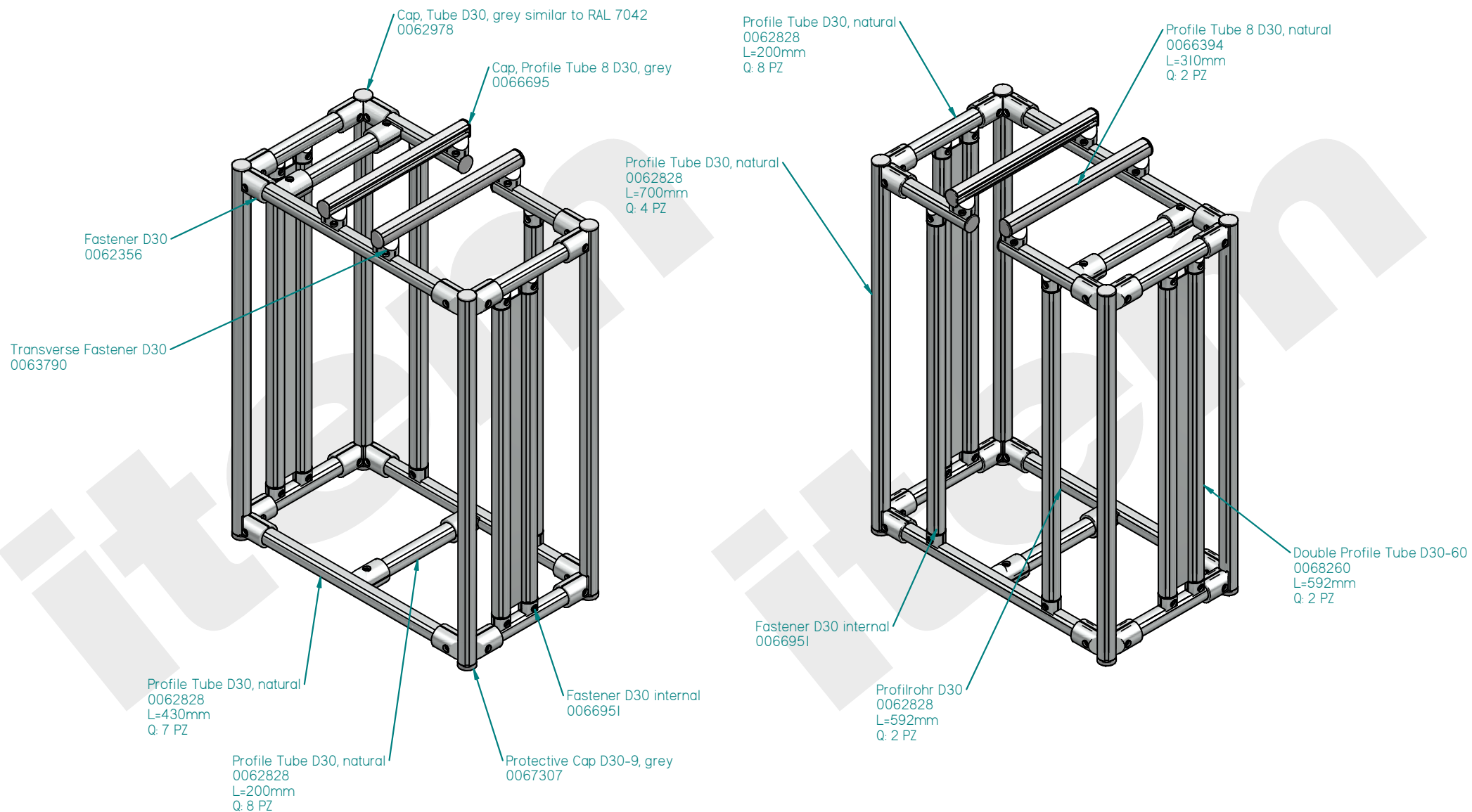
PROJECT NAME:	CS-00011203_KARAKURI -LIFT.asm
DESIGN BY:	EdderAcuñaMorales05/05/2023
DRAWING BY:	EdderAcuñaMorales08/05/2023
CUSTOMER APPROVAL	



SystemSolid Edge

CUSTOMER:	ITEM	
DWG. NAME:	CS-00011203_KARAKURI -LIFT_DRAFT	
SOLUTION:		REV.:
Unless otherwise specified, all measures are in mm		PAGE: 3

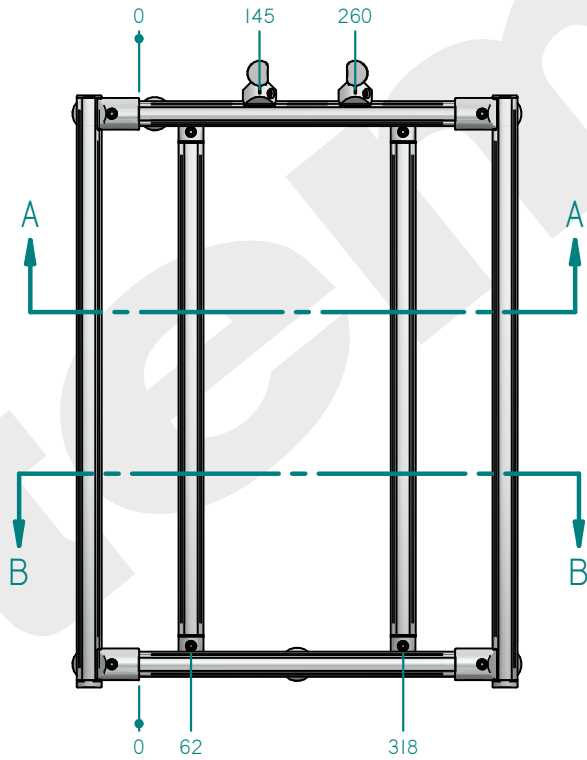
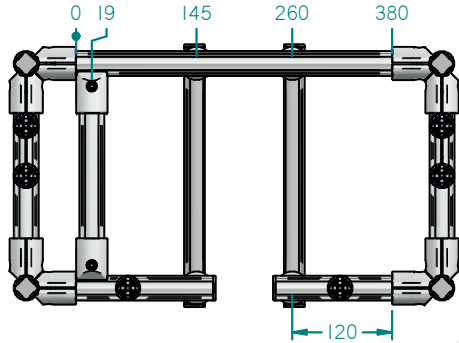
1 FRAME | PARTS | BASE STRUCTURE PROFILES



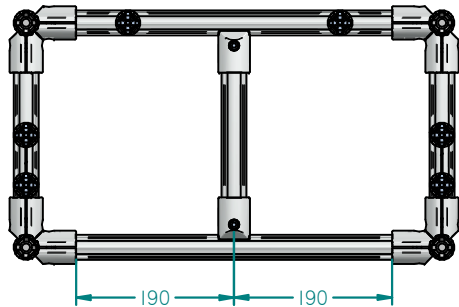
PROYECT NAME: CS-00011203_KARAKURI -LIFT.asm			CUSTOMER: ITEM	
DESIGN BY: EdderAcuñaMora	05/05/2023		DWG. NAME: CS-00011203_KARAKURI -LIFT_DRAFT	REV.:
DRAWING BY: EdderAcuñaMora	08/05/2023	SOLUTION:	Unless otherwise specified, all measures are in mm	PAGE: 4
CUSTOMER APPROVAL		SystemSolid Edge		

1 FRAME | BASE STRUCTURE PROFILES

SECCIÓN A-A



SECCIÓN B-B



PROYECT NAME:	CS-00011203_KARAKURI -LIFT.asm	
DESIGN BY:	EdderAcuñaMora	05/05/2023
DRAWING BY:	EdderAcuñaMora	08/05/2023
CUSTOMER APPROVAL		



SystemSolid Edge

CUSTOMER:	ITEM	
DWG. NAME:	CS-00011203_KARAKURI -LIFT_DRAFT	
SOLUTION:		REV.:
Unless otherwise specified, all measures are in mm		PAGE: 5

1 FRAME | PARTS | STOPS

Profile Tube D30, natural
0062828
L=75mm
Q: 3 PZ

Cap, Tube D30, grey similar to RAL 7042
0062978

Profile Tube D30, natural
0062828
L=75mm
Q: 3 PZ

Cap, Tube D30, grey similar to RAL 7042
0062978

Profile Tube D30, natural
0062828
L=220mm
Q: 1 PZ

Protective Cap D30-9, grey
0067307

Tube End Cap D30, grey
0064396

Profile Tube D30, natural
0062828
L=45mm
Q: 2 PZ

Profile Tube D30, natural
0062828
L=70mm
Q: 5 PZ

Profile Tube D30, natural
0062828
L=45mm
Q: 2 PZ

Tube End Cap D30, grey
0064396

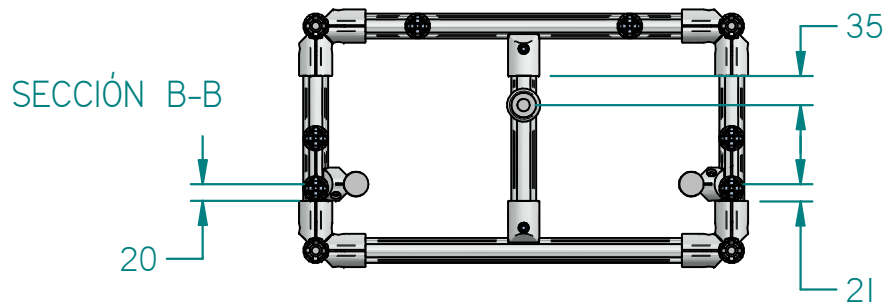
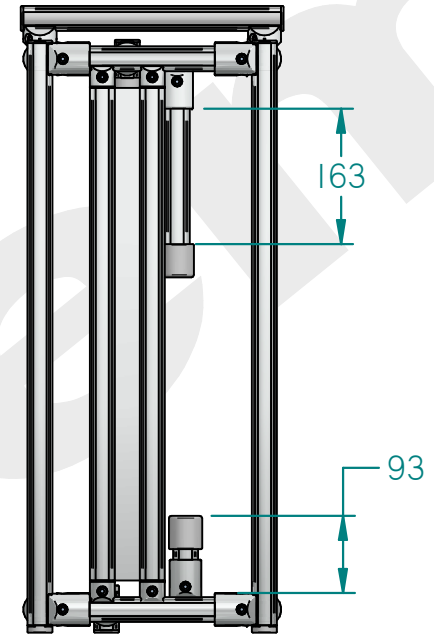
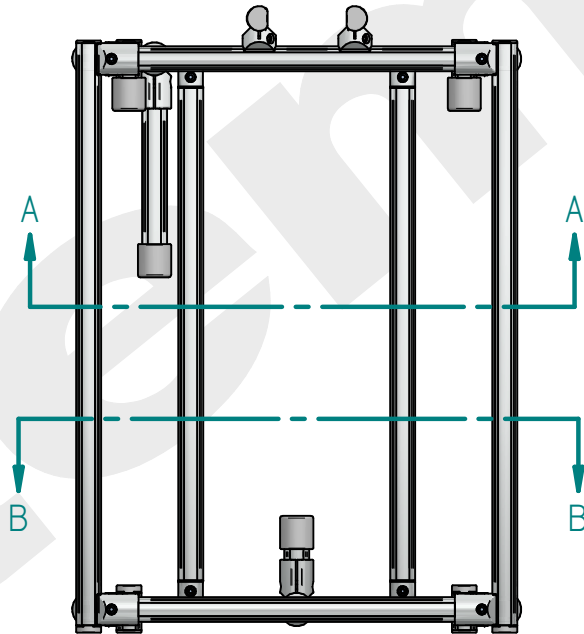
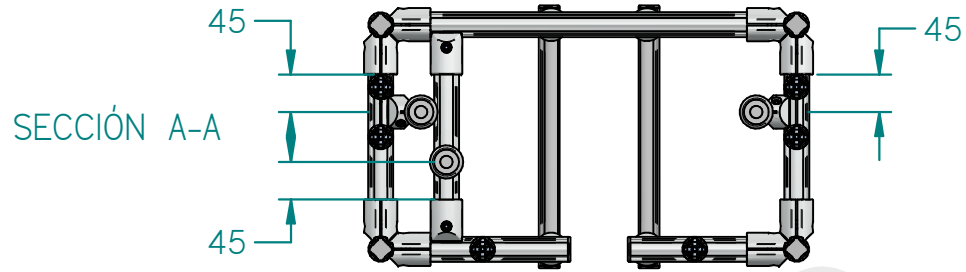
PROJECT NAME: CS-00011203_KARAKURI -LIFT.asm	
DESIGN BY:	EdderAcuñaMora 05/05/2023
DRAWING BY:	EdderAcuñaMora 08/05/2023
CUSTOMER APPROVAL	



SystemSolid Edge

CUSTOMER: ITEM	
DWG. NAME:	CS-00011203_KARAKURI -LIFT_DRAFT
SOLUTION:	REV.:
Unless otherwise specified, all measures are in mm	
PAGE: 6	

1 FRAME | STOPS



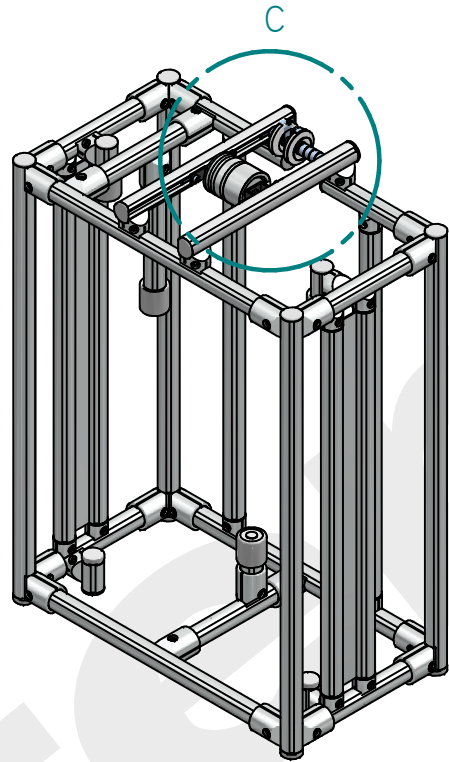
PROYECT NAME:	CS-00011203_KARAKURI -LIFT.asm
DESIGN BY:	EdderAcuñaMora05/05/2023
DRAWING BY:	EdderAcuñaMora08/05/2023
CUSTOMER APPROVAL	



CUSTOMER:	ITEM
DWG. NAME:	CS-00011203_KARAKURI -LIFT_DRAFT
SOLUTION:	
REV.:	
Unless otherwise specified, all measures are in mm	
PAGE:	7



1 FRAME | PARTS | BRAKING ROLLER

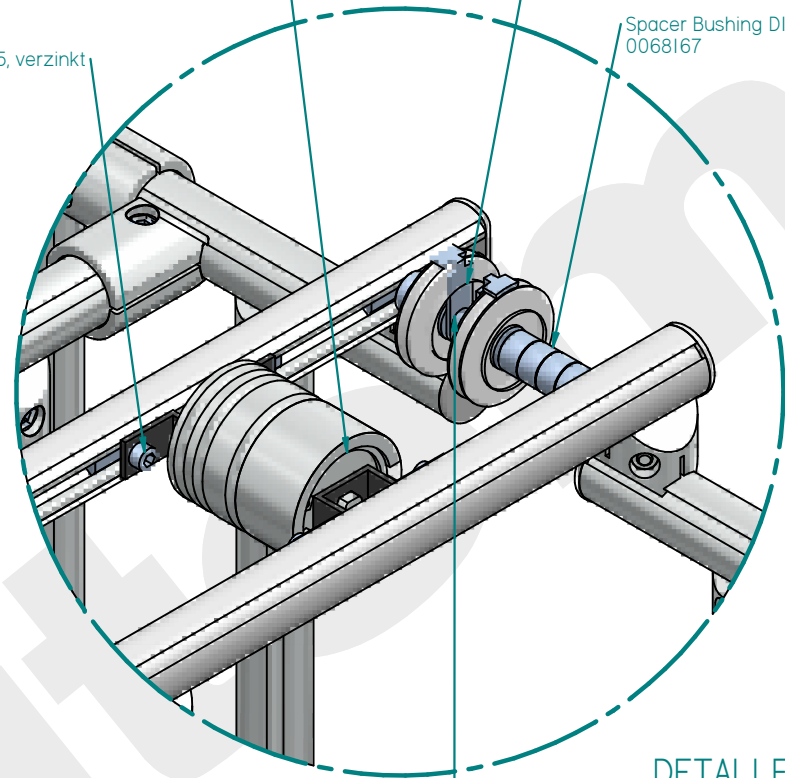


Zylinderschraube DIN 912 M6x45, verzinkt
0061252

Braking roller
0068929

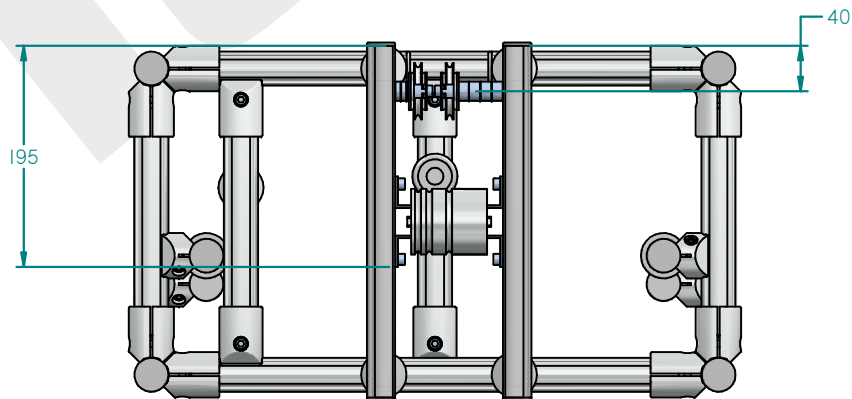
Cable Pulley Wheel D42 D6-I2
0068216

Spacer Bushing D17-D6-I2
0068167



DETALLE C

Hexagon Socket Head Cap Screw DIN 912 M6x40, bright zinc-plated
8000082



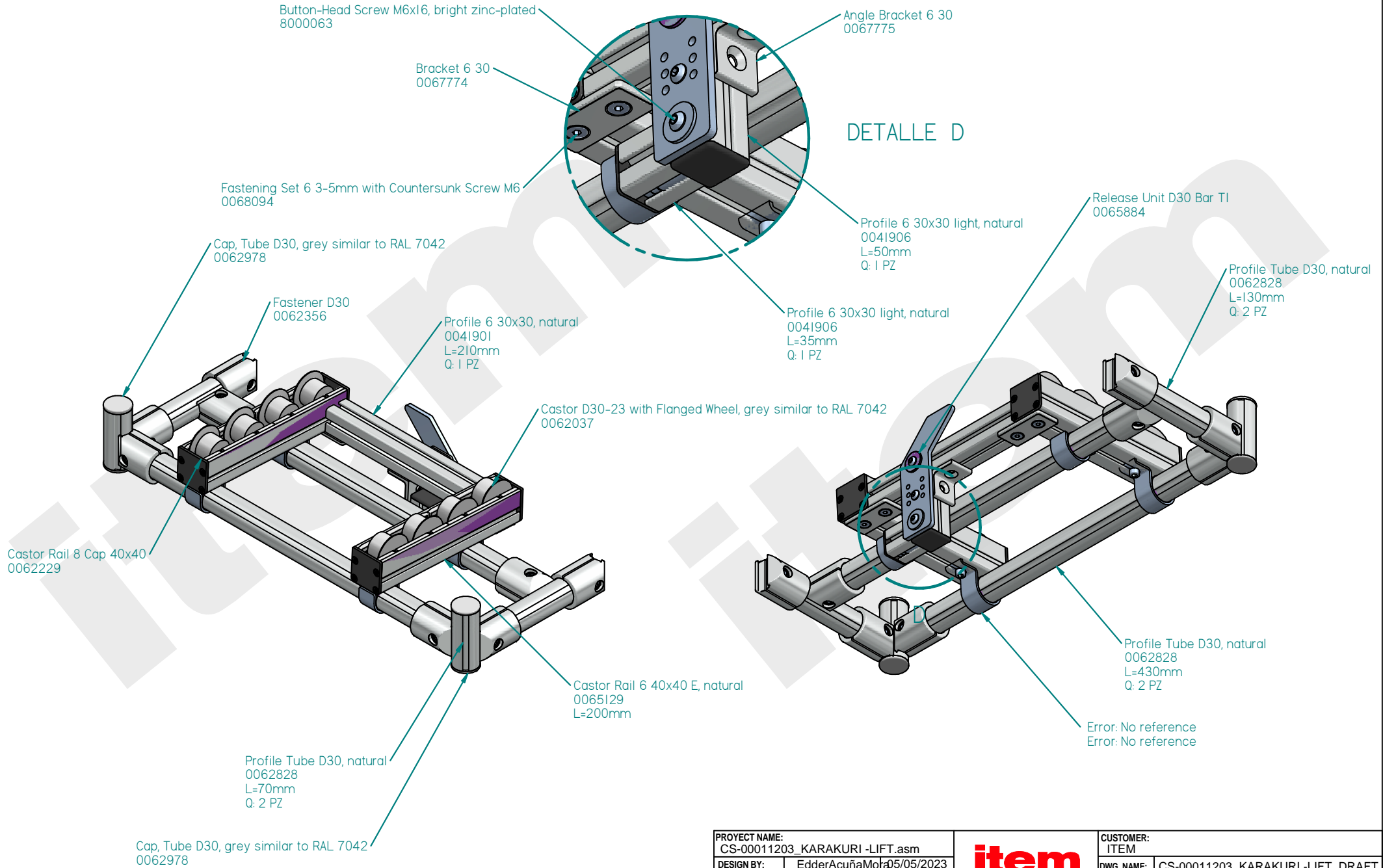
PROJECT NAME:	CS-00011203_KARAKURI -LIFT.asm
DESIGN BY:	EdderAcuñaMorad05/05/2023
DRAWING BY:	EdderAcuñaMorad08/05/2023
CUSTOMER APPROVAL	



SystemSolid Edge

CUSTOMER:	ITEM
DWG. NAME:	CS-00011203_KARAKURI -LIFT_DRAFT
SOLUTION:	REV.:
Unless otherwise specified, all measures are in mm	
PAGE: 8	

2 INPUT CONVEYOR | PARTS



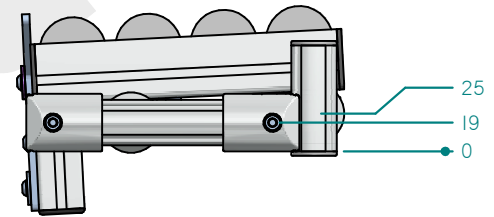
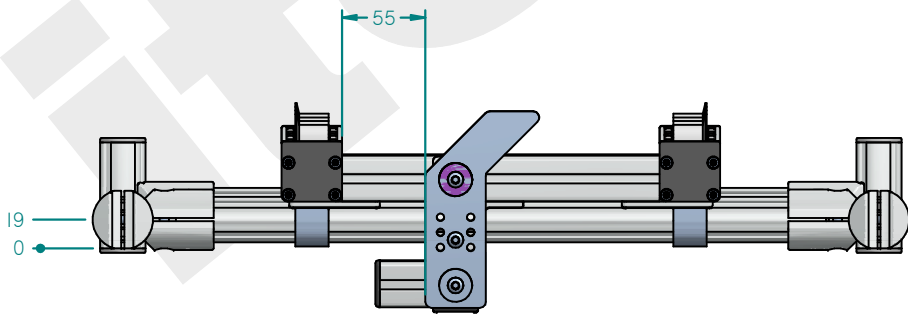
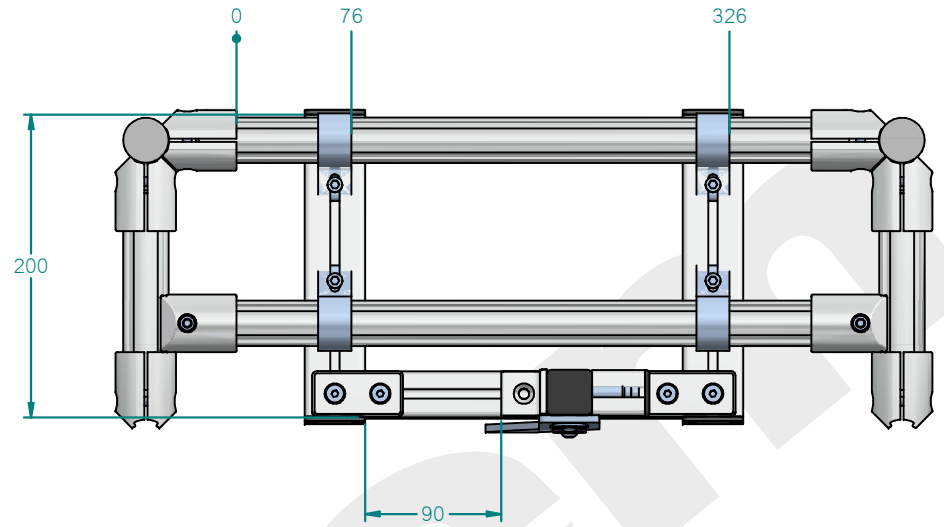
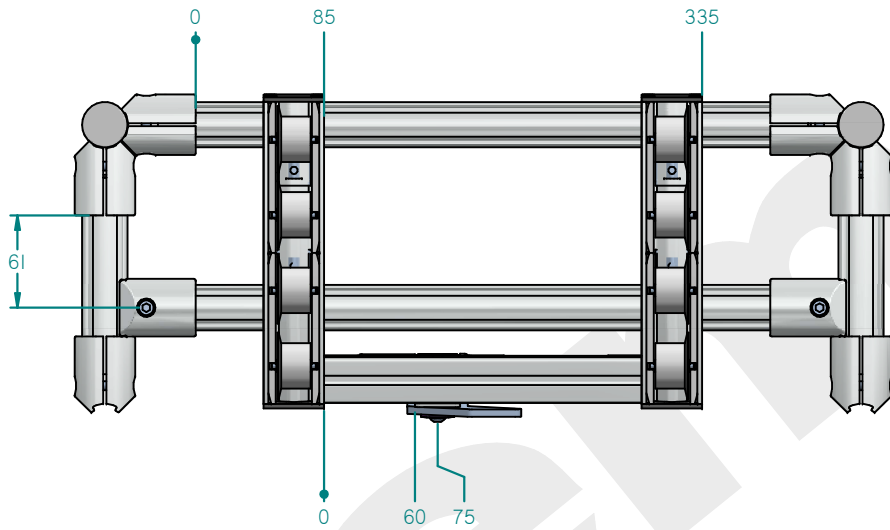
PROJECT NAME:	CS-00011203_KARAKURI -LIFT.asm
DESIGN BY:	EdderAcuñaMora 05/05/2023
DRAWING BY:	EdderAcuñaMora 08/05/2023
CUSTOMER APPROVAL	

item
MEXICO

SystemSolid Edge

CUSTOMER:	ITEM	
DWG. NAME:	CS-00011203_KARAKURI -LIFT_DRAFT	
SOLUTION:		REV.:
Unless otherwise specified, all measures are in mm		PAGE: 9

2 INPUT CONVEYOR



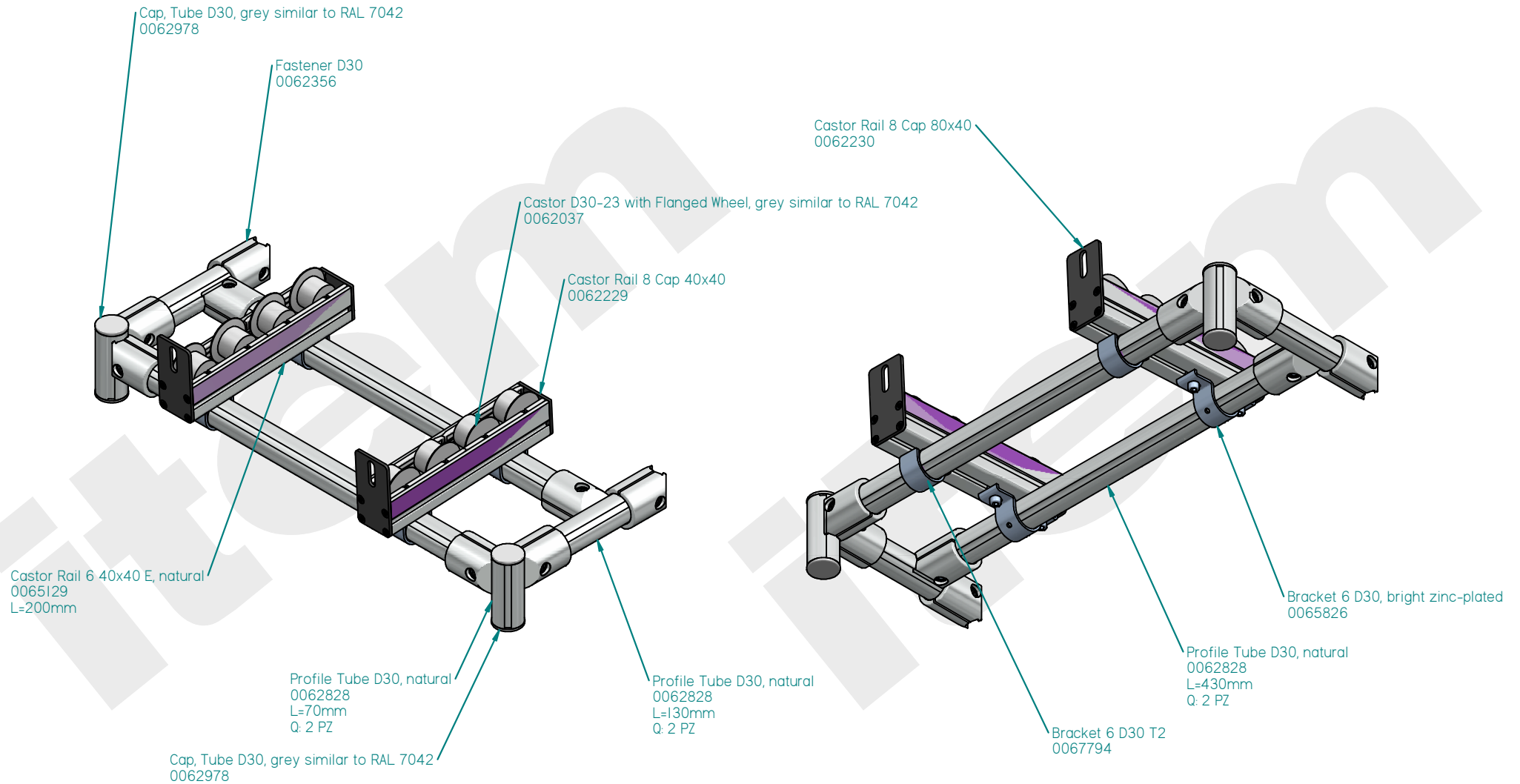
PROJECT NAME:	CS-00011203_KARAKURI -LIFT.asm
DESIGN BY:	EdderAcuñaMora05/05/2023
DRAWING BY:	EdderAcuñaMora08/05/2023
CUSTOMER APPROVAL	



SystemSolid Edge

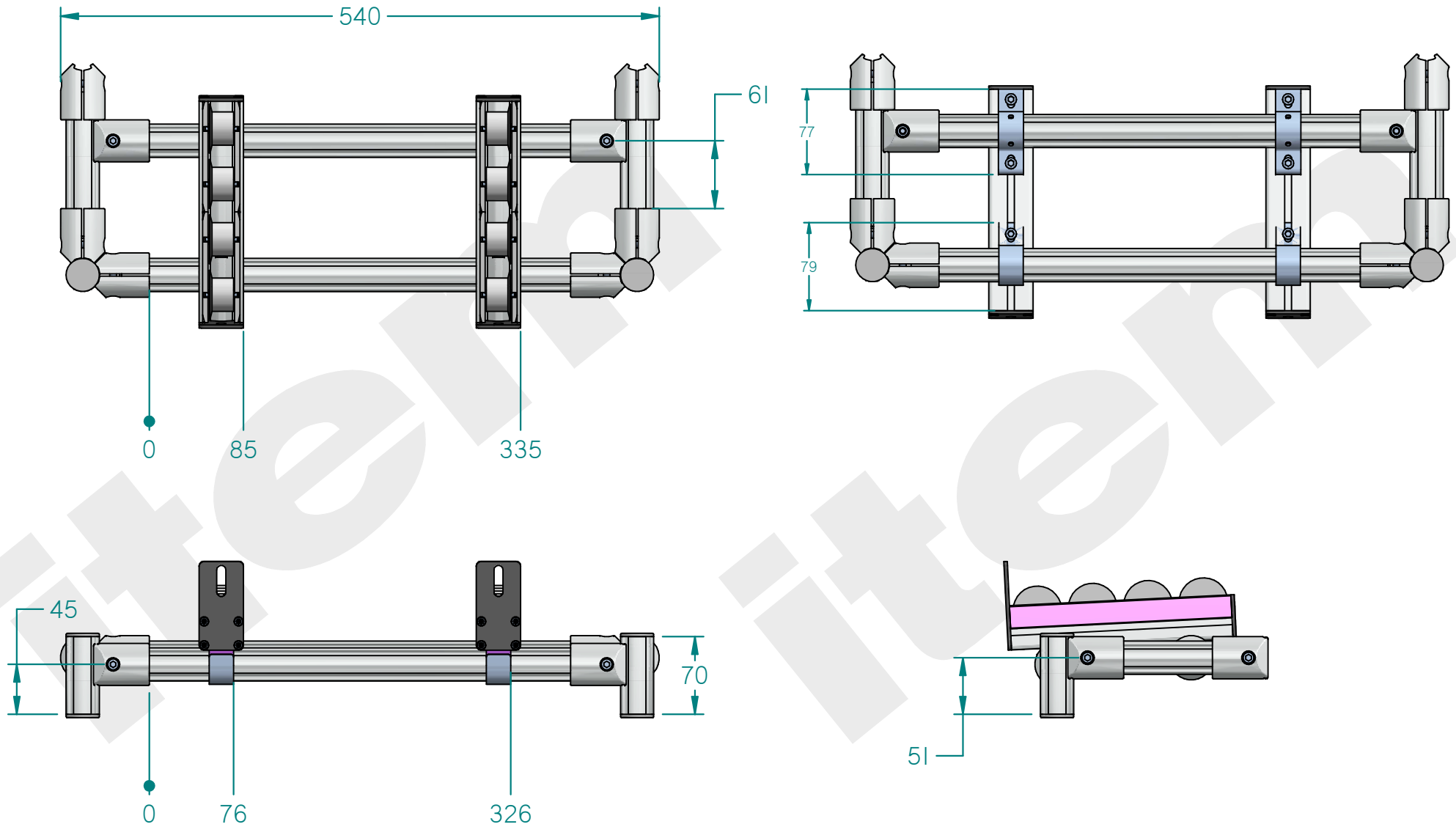
CUSTOMER:	ITEM	
DWG. NAME:	CS-00011203_KARAKURI -LIFT_DRAFT	
SOLUTION:		REV.:
Unless otherwise specified, all measures are in mm		PAGE: 10

3 OUTPUT CONVEYOR | PARTS



PROYECT NAME: CS-00011203_KARAKURI -LIFT.asm			CUSTOMER: ITEM	
DESIGN BY: EdderAcuñaMora	05/05/2023		DWG. NAME: CS-00011203_KARAKURI -LIFT_DRAFT	REV.:
DRAWING BY: EdderAcuñaMora	08/05/2023	SOLUTION:	REV.:	
CUSTOMER APPROVAL		SystemSolid Edge 	Unless otherwise specified, all measures are in mm	PAGE: 11

3 OUTPUT CONVEYOR



PROJECT NAME:	CS-00011203_KARAKURI -LIFT.asm
DESIGN BY:	EdderAcuñaMora05/05/2023
DRAWING BY:	EdderAcuñaMora08/05/2023
CUSTOMER APPROVAL	

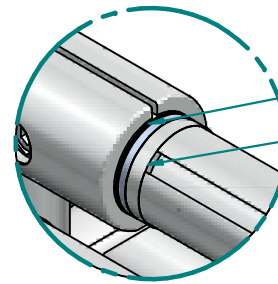
item
MEXICO

SystemSolid Edge

CUSTOMER:	ITEM
DWG. NAME:	CS-00011203_KARAKURI -LIFT_DRAFT
SOLUTION:	REV.:
Unless otherwise specified, all measures are in mm	
PAGE: 12	

4 BASKET | PARTS | PROFILES

DETALLE E



Pivot bearing set
0066951

Threaded Insert, Profile Tube D30 M8 Al
0067517

Roller Set 8 D30-30
0068151

Profile Tube D30, natural
0062828
L=282mm
Q: 2 PZ

Ring Bolt D10 M6x45
0068717

Profile Tube D30, natural
0062828
L=282mm
Q: 2 PZ

Verbinder D30
0062356

Cap, Profile Tube 8 D30, grey
0066695

E

Parallel Fastener D30-60
0068221

Profile Tube D30, natural
0062828
L=335mm
Q: 1 PZ

Tube End Cap D30, grey
0064396

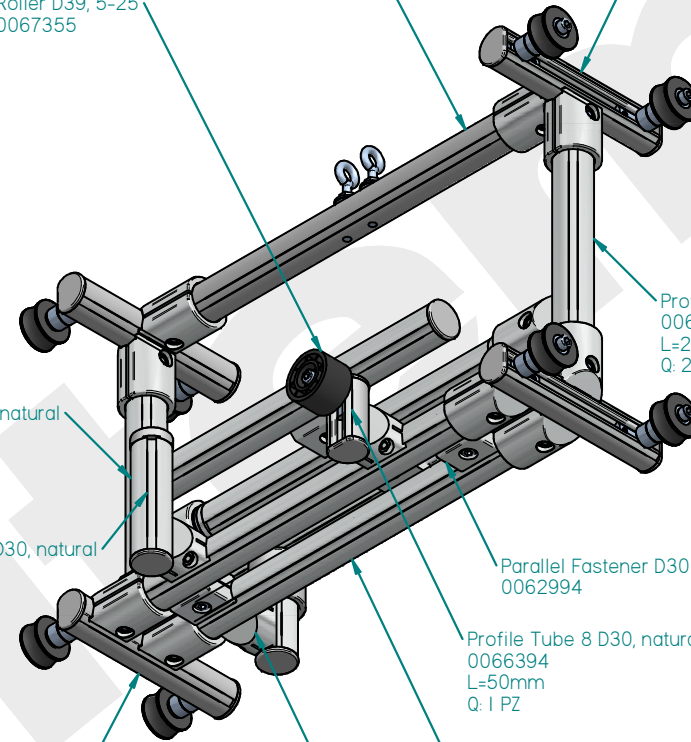
Profile Tube D30, natural
0062828
L=75mm
Q: 1 PZ

Cap, Tube D30, grey similar to RAL 7042
0062978

Profilrohr 8 D30
0066394
L=350mm
Q: 1 PZ

Profile Tube 8 D30, natural
0066394
L=150mm
Q: 4 PZ

Roller D39, 5-25
0067355



Profile Tube D30, natural
0062828
L=200mm
Q: 2 PZ

Profile Tube D30, natural
0062828
L=95mm
Q: 1 PZ

Profile Tube D30, natural
0062828
L=95mm
Q: 1 PZ

Parallel Fastener D30
0062994

Profile Tube 8 D30, natural
0066394
L=50mm
Q: 1 PZ

Profile Tube D30, natural
0062828
L=350mm
Q: 2 PZ

Profile Tube 8 D30, natural
0066394
L=150mm
Q: 4 PZ

Transverse Fastener D30
0063790

PROJECT NAME:	CS-00011203_KARAKURI -LIFT.asm
DESIGN BY:	EdderAcuñaMora 05/05/2023
DRAWING BY:	EdderAcuñaMora 08/05/2023
CUSTOMER APPROVAL	

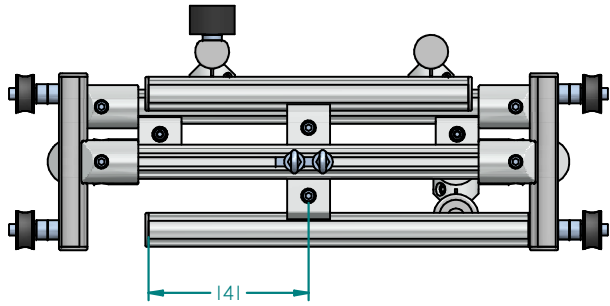


SystemSolid Edge

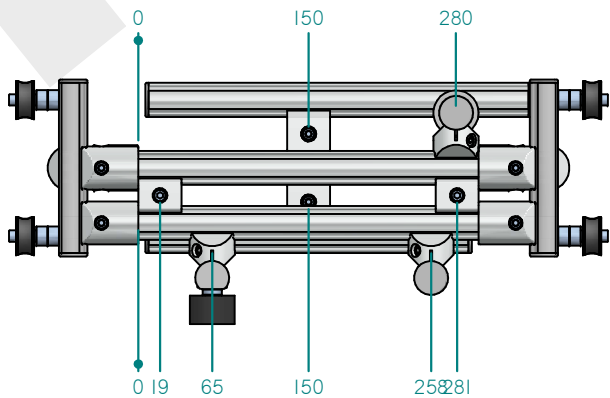
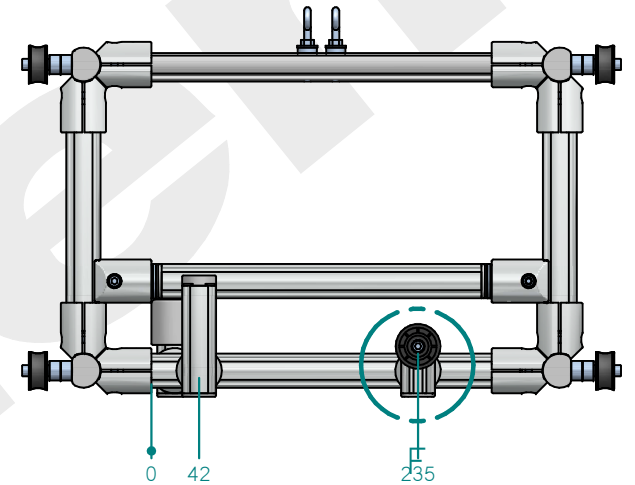
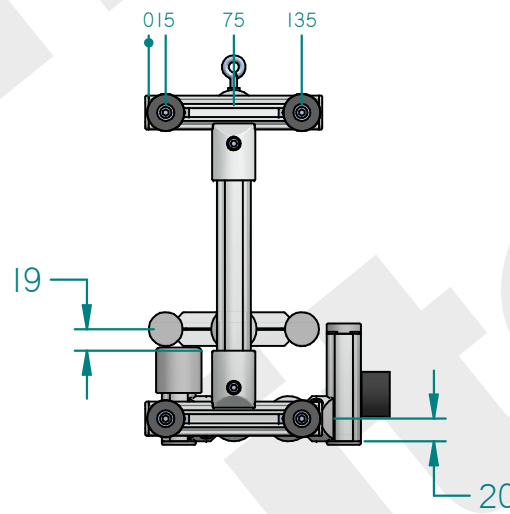
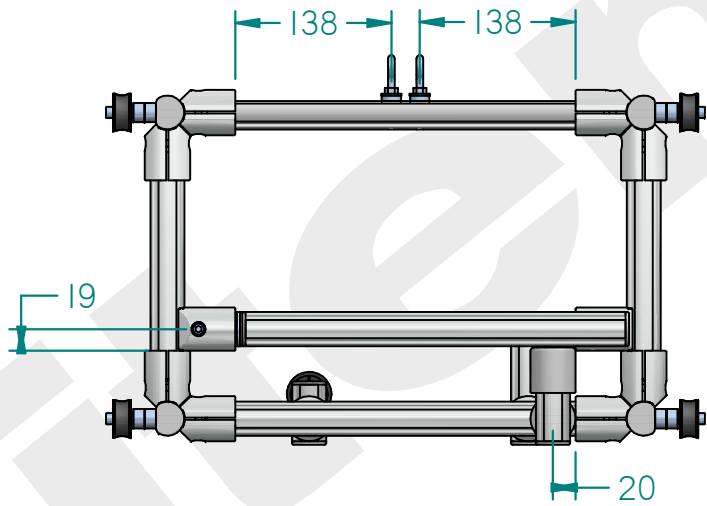
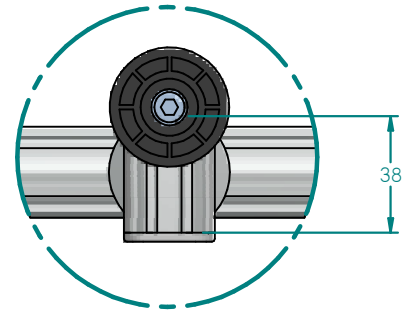


CUSTOMER:	ITEM	
DWG. NAME:	CS-00011203_KARAKURI -LIFT_DRAFT	
SOLUTION:		REV.:
Unless otherwise specified, all measures are in mm		PAGE: 13

4 BASKET | PROFILES



DETALLE F



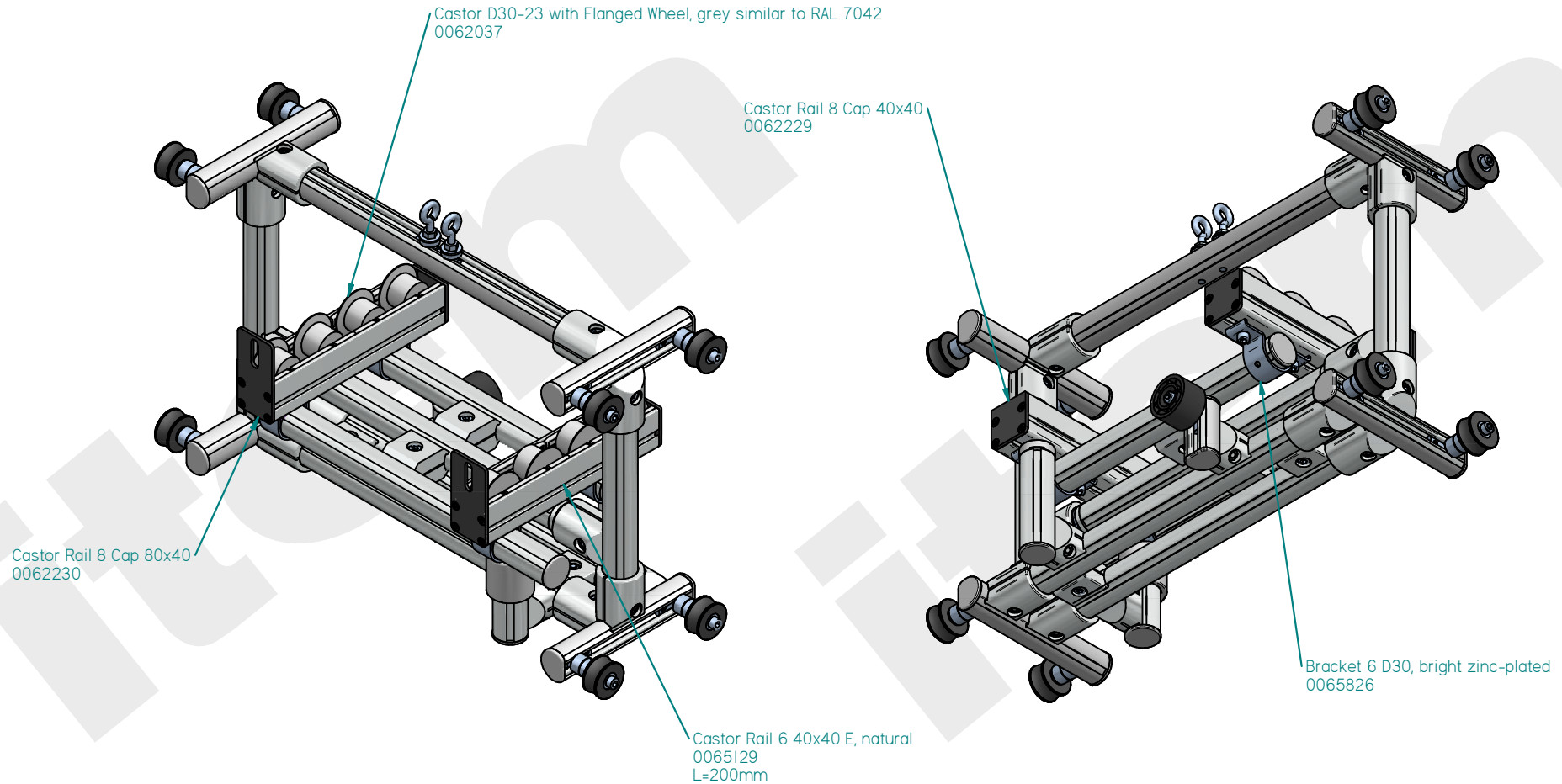
PROYECT NAME:	CS-00011203_KARAKURI -LIFT.asm
DESIGN BY:	EdderAcuñaMora 05/05/2023
DRAWING BY:	EdderAcuñaMora 08/05/2023
CUSTOMER APPROVAL	



SystemSolid Edge

CUSTOMER:	ITEM
DWG. NAME:	CS-00011203_KARAKURI -LIFT_DRAFT
SOLUTION:	
REV.:	
Unless otherwise specified, all measures are in mm	
PAGE:	14

4 BASKET | PARTS | CONVEYOR



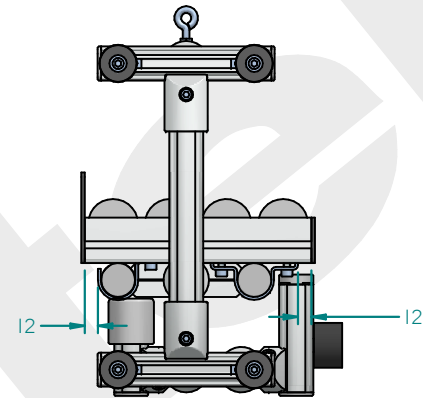
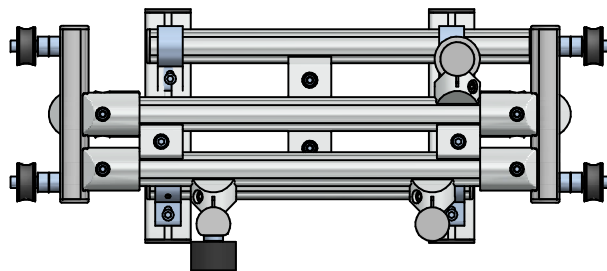
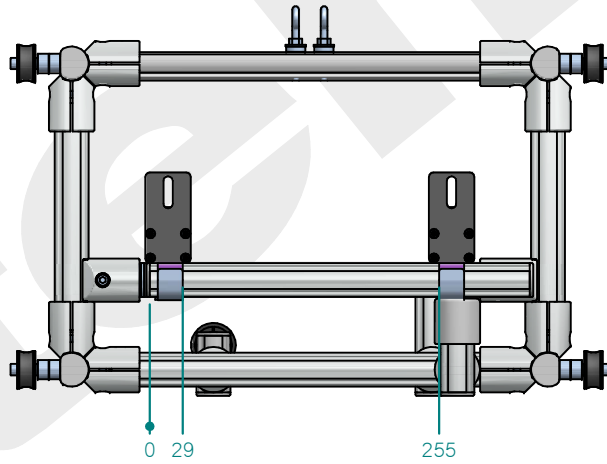
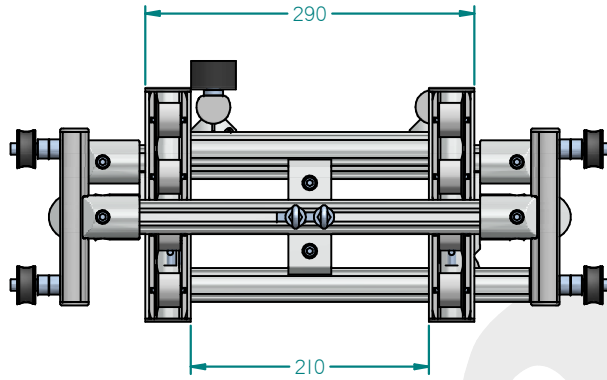
PROYECT NAME: CS-00011203_KARAKURI -LIFT.asm	
DESIGN BY:	EdderAcuñaMora 05/05/2023
DRAWING BY:	EdderAcuñaMora 08/05/2023
CUSTOMER APPROVAL	

item
MEXICO

SystemSolid Edge

CUSTOMER: ITEM	
DWG. NAME:	CS-00011203_KARAKURI -LIFT_DRAFT
SOLUTION:	REV.:
Unless otherwise specified, all measures are in mm	
PAGE: 15	

4 BASKET | CONVEYOR

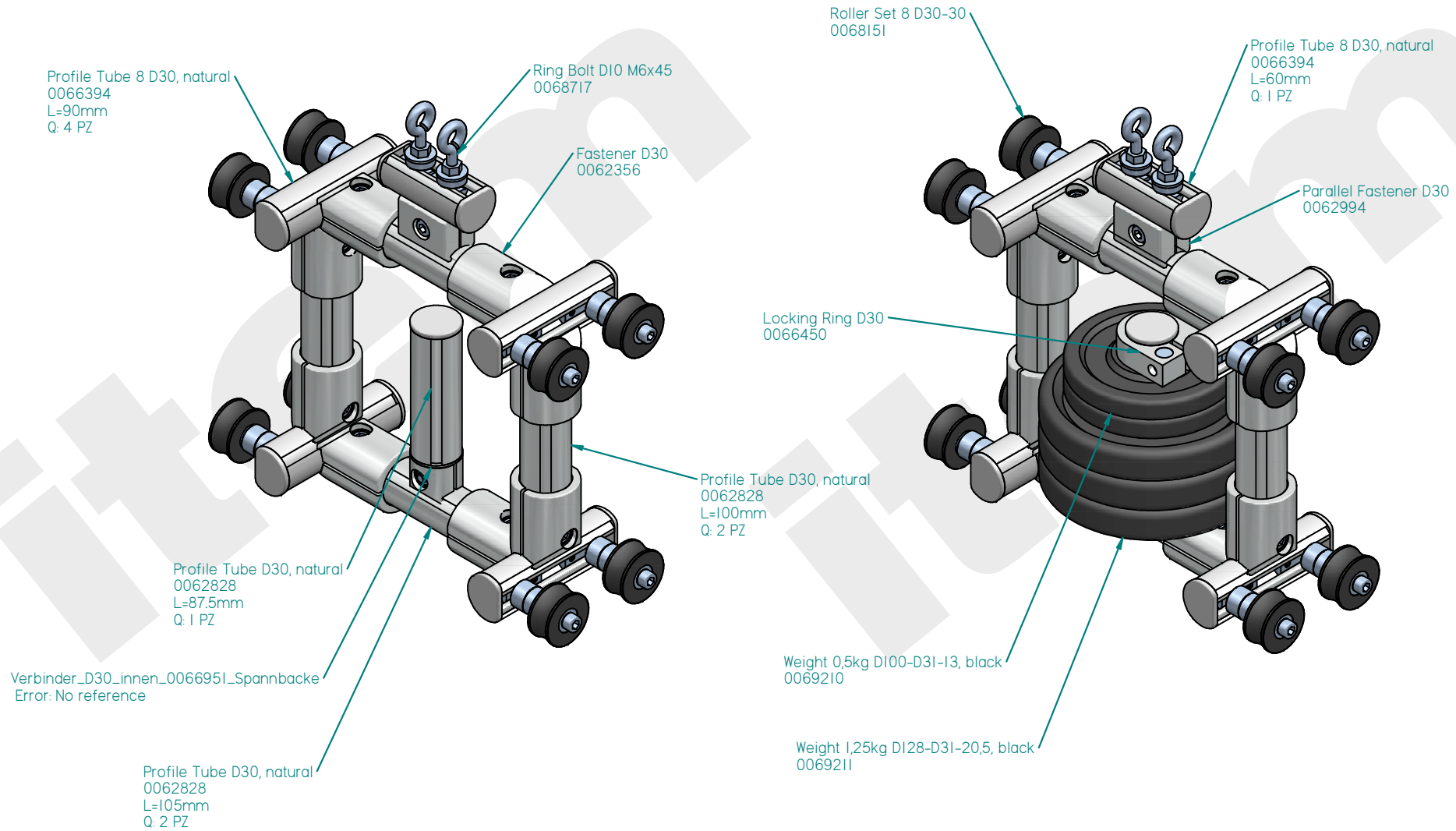


PROYECT NAME: CS-00011203_KARAKURI -LIFT.asm	
DESIGN BY:	EdderAcuñaMora05/05/2023
DRAWING BY:	EdderAcuñaMora08/05/2023
CUSTOMER APPROVAL	



CUSTOMER: ITEM	
DWG. NAME:	CS-00011203_KARAKURI -LIFT_DRAFT
SOLUTION:	REV.:
Unless otherwise specified, all measures are in mm	
PAGE: 16	

5 WEIGHT MODULE | PARTS



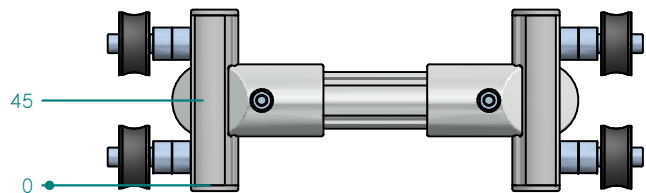
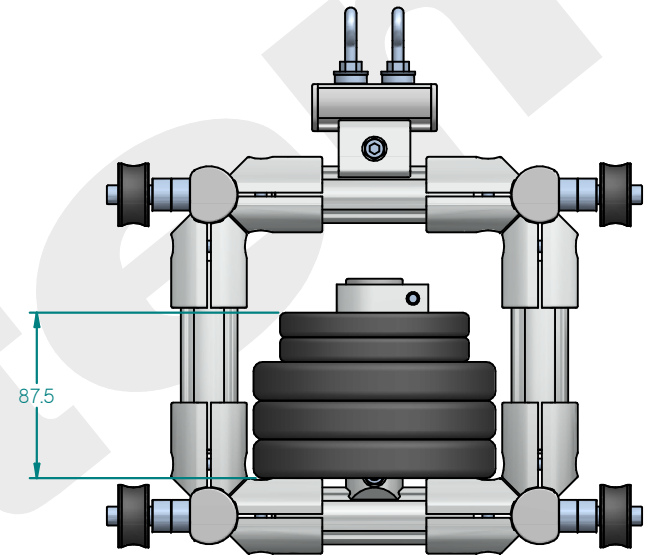
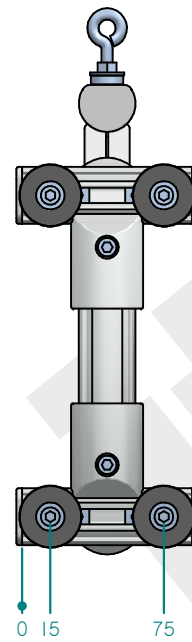
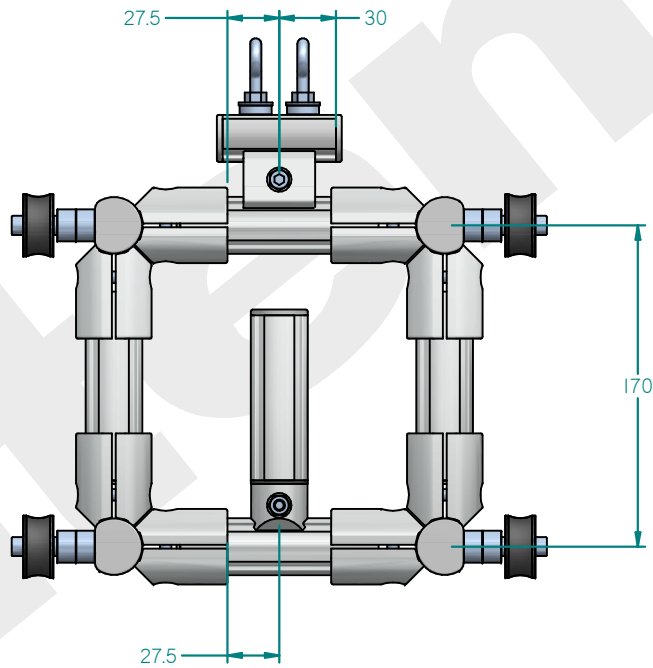
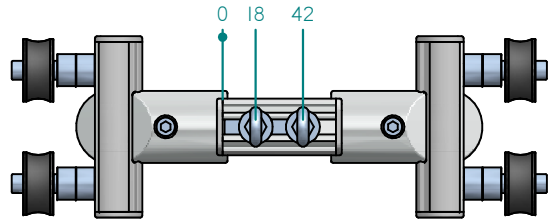
PROJECT NAME: CS-00011203_KARAKURI -LIFT.asm	
DESIGN BY:	EdderAcuñaMora 05/05/2023
DRAWING BY:	EdderAcuñaMora 08/05/2023
CUSTOMER APPROVAL	



SystemSolid Edge

CUSTOMER: ITEM	
DWG. NAME:	CS-00011203_KARAKURI -LIFT_DRAFT
SOLUTION:	REV:
Unless otherwise specified, all measures are in mm	
PAGE: 17	

5 WEIGHT MODULE I PARTS

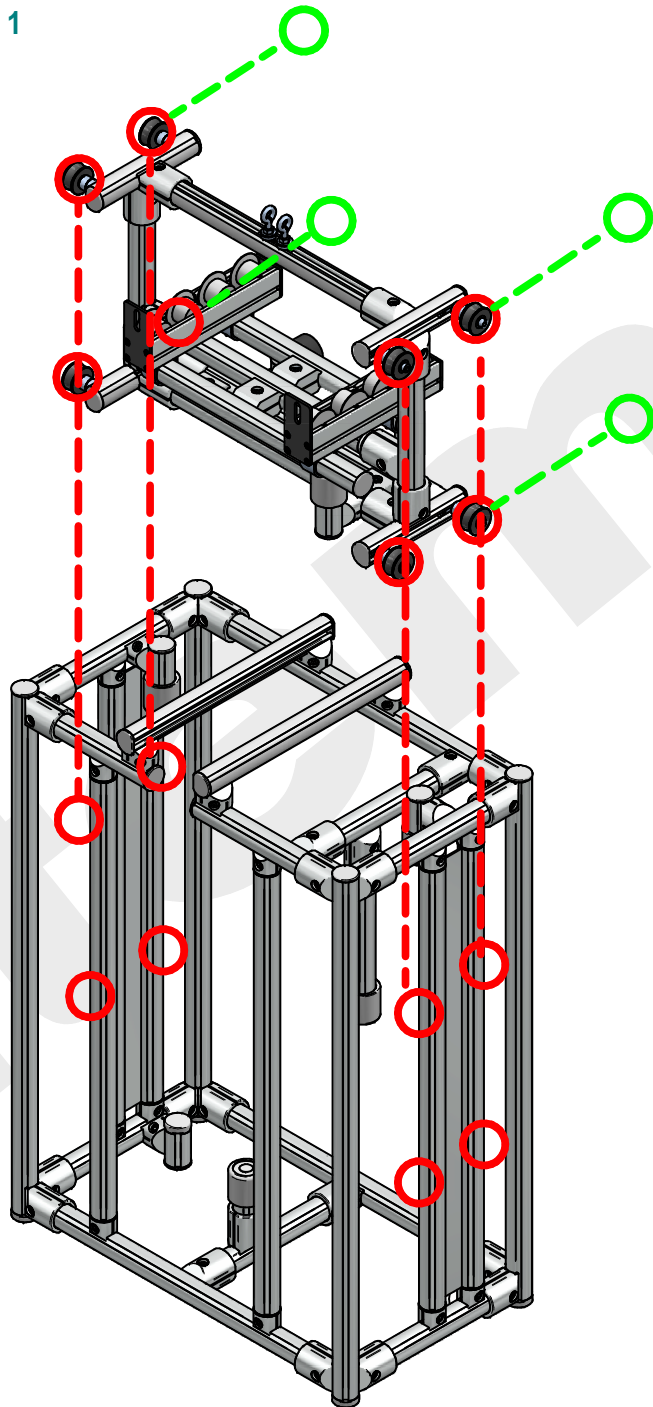


PROJECT NAME:	CS-00011203_KARAKURI -LIFT.asm
DESIGN BY:	EdderAcuñaMora05/05/2023
DRAWING BY:	EdderAcuñaMora08/05/2023
CUSTOMER APPROVAL	



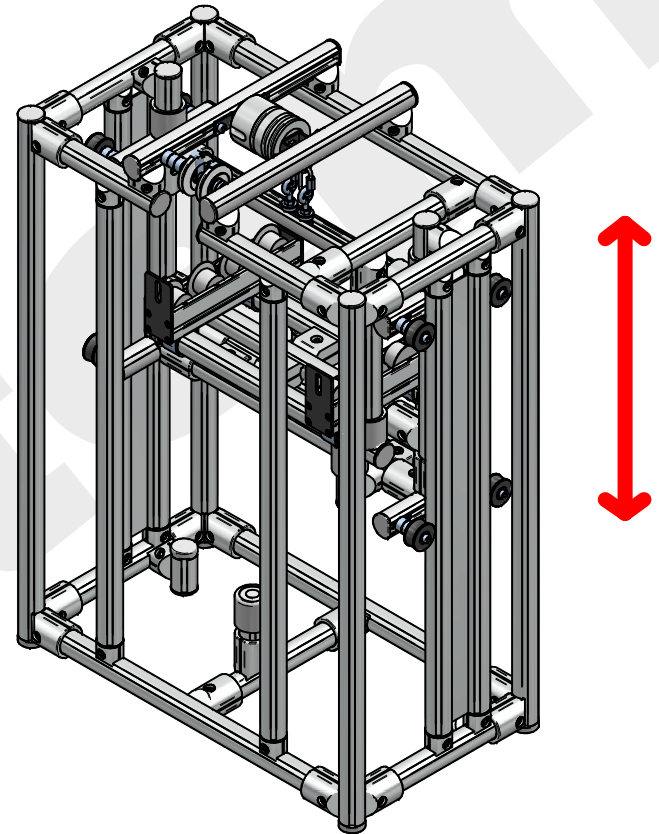
CUSTOMER:	ITEM	
DWG. NAME:	CS-00011203_KARAKURI -LIFT_DRAFT	
SOLUTION:		REV.:
Unless otherwise specified, all measures are in mm		PAGE: 18

ASSEMBLY I STEP 1



For mounting the basket it's necessary remove half of rollers temporarily, insert the basket in the frame and adjust the rollers again.

Now adjust the pressure in rollers, the basket must can move in vertical sense softly.



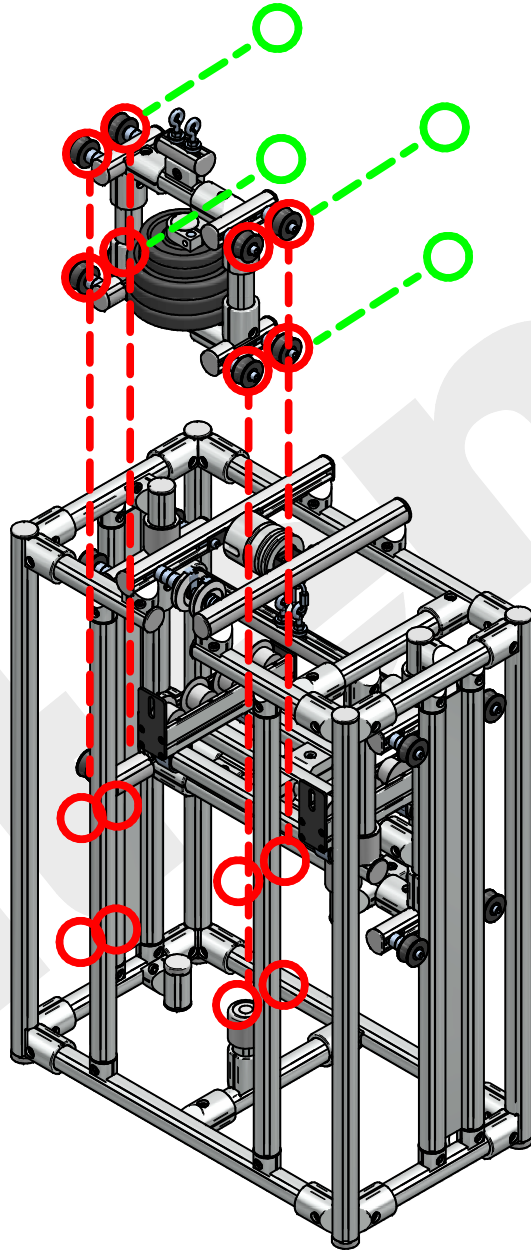
PROYECT NAME:	CS-00011203_KARAKURI -LIFT.asm
DESIGN BY:	EdderAcuñaMora05/05/2023
DRAWING BY:	EdderAcuñaMora08/05/2023
CUSTOMER APPROVAL	



SystemSolid Edge

CUSTOMER:	ITEM
DWG. NAME:	CS-00011203_KARAKURI -LIFT_DRAFT
SOLUTION:	
REV.:	
Unless otherwise specified, all measures are in mm	
PAGE:	19

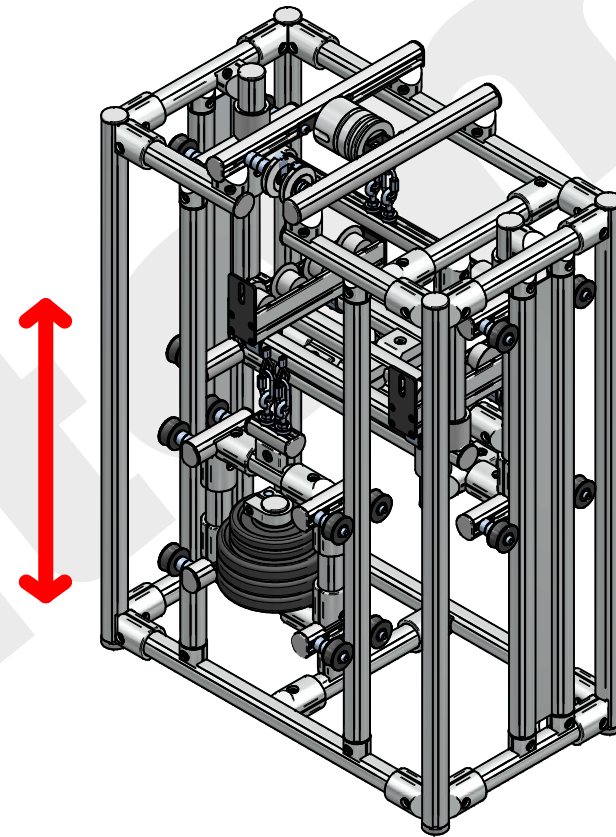
ASSEMBLY I STEP 2



For mounting the weight module it's necessary remove half of rollers temporarily, insert the module in the frame and adjust the rollers again.

Now adjust the pressure in rollers, the module must can move in vertical sense softly.

Remember, you can adjust the total weight of the module, adding or removing weight discs, this could be necessary in the next step.



PROYECT NAME:	CS-00011203_KARAKURI -LIFT.asm
DESIGN BY:	EdderAcuñaMora05/05/2023
DRAWING BY:	EdderAcuñaMora08/05/2023
CUSTOMER APPROVAL	

item
MEXICO

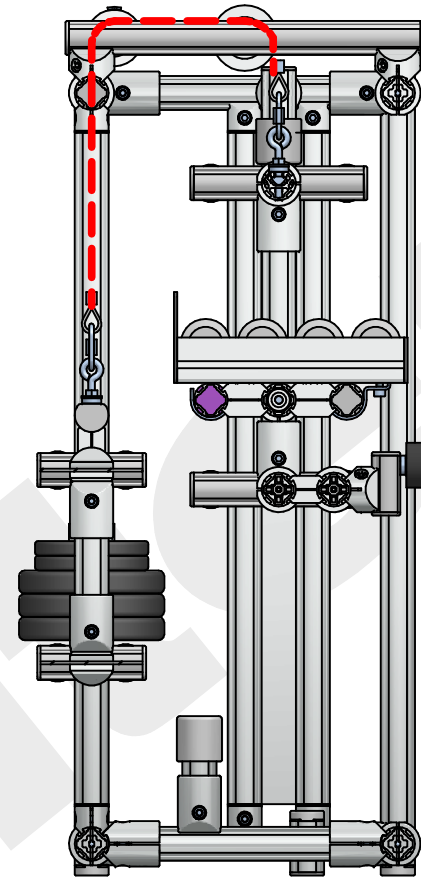
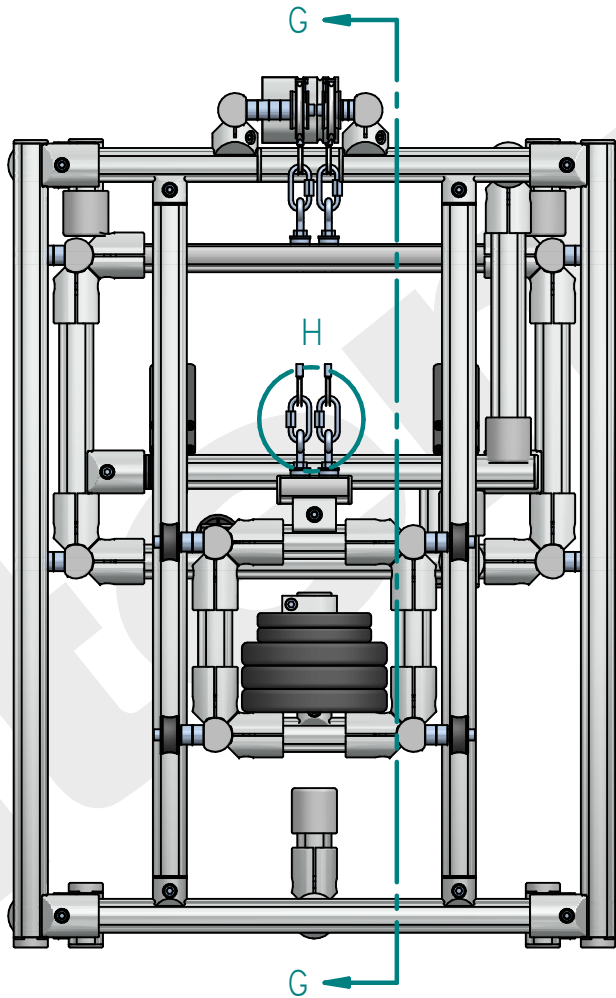
SystemSolid Edge



CUSTOMER:	ITEM
DWG. NAME:	CS-00011203_KARAKURI -LIFT_DRAFT
SOLUTION:	
REV.:	
Unless otherwise specified, all measures are in mm	
PAGE:	20

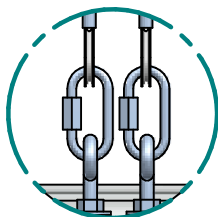
ASSEMBLY I STEP 3

Now, connect the basket and the weight module using steel cable through the pulleys, you can connect using cable end links. Adjust the total weight of the module, adding or removing weight discs. The weight of the module must be upper than the empty basket weight but lower than the basket and package weight.



SECCIÓN G-G

DETALLE H



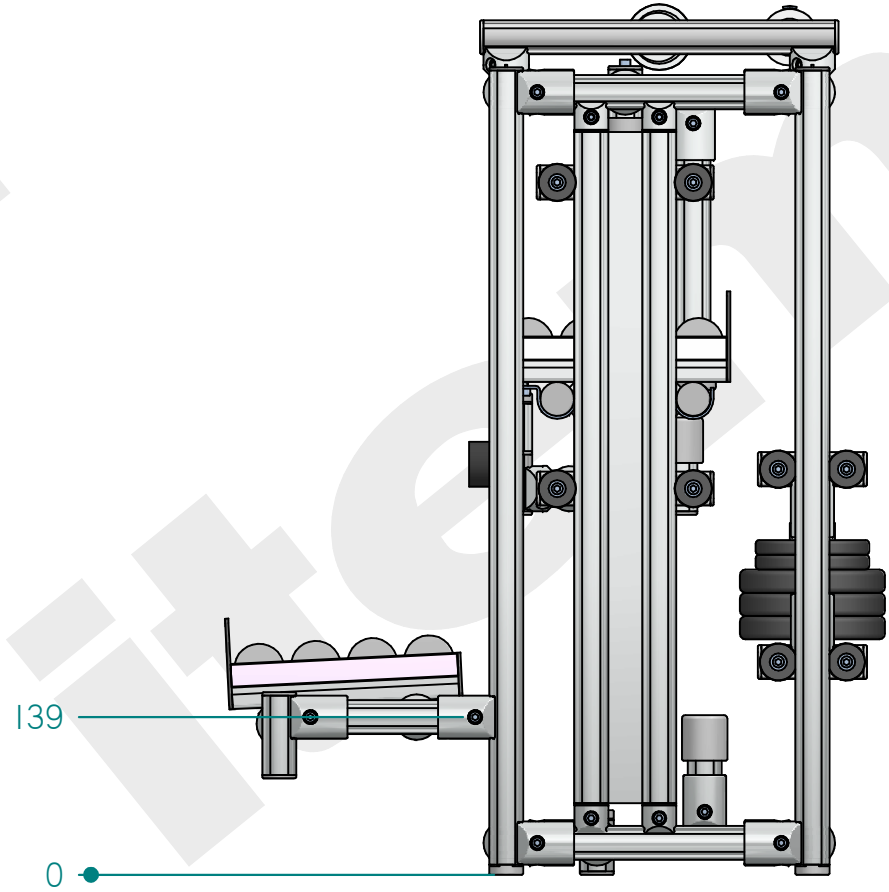
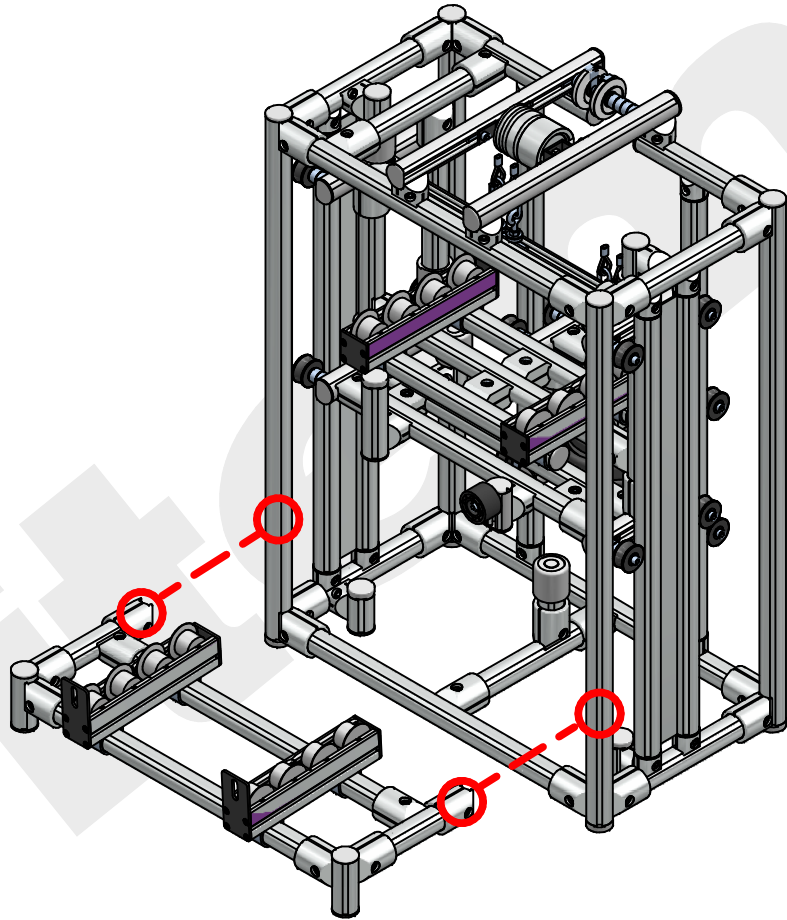
PROYECT NAME:	CS-00011203_KARAKURI -LIFT.asm
DESIGN BY:	EdderAcuñaMora05/05/2023
DRAWING BY:	EdderAcuñaMora08/05/2023
CUSTOMER APPROVAL	

item
MEXICO

SystemSolid Edge

CUSTOMER:	ITEM
DWG. NAME:	CS-00011203_KARAKURI -LIFT_DRAFT
SOLUTION:	
REV.:	
Unless otherwise specified, all measures are in mm	
PAGE:	21

ASSEMBLY I STEP 4



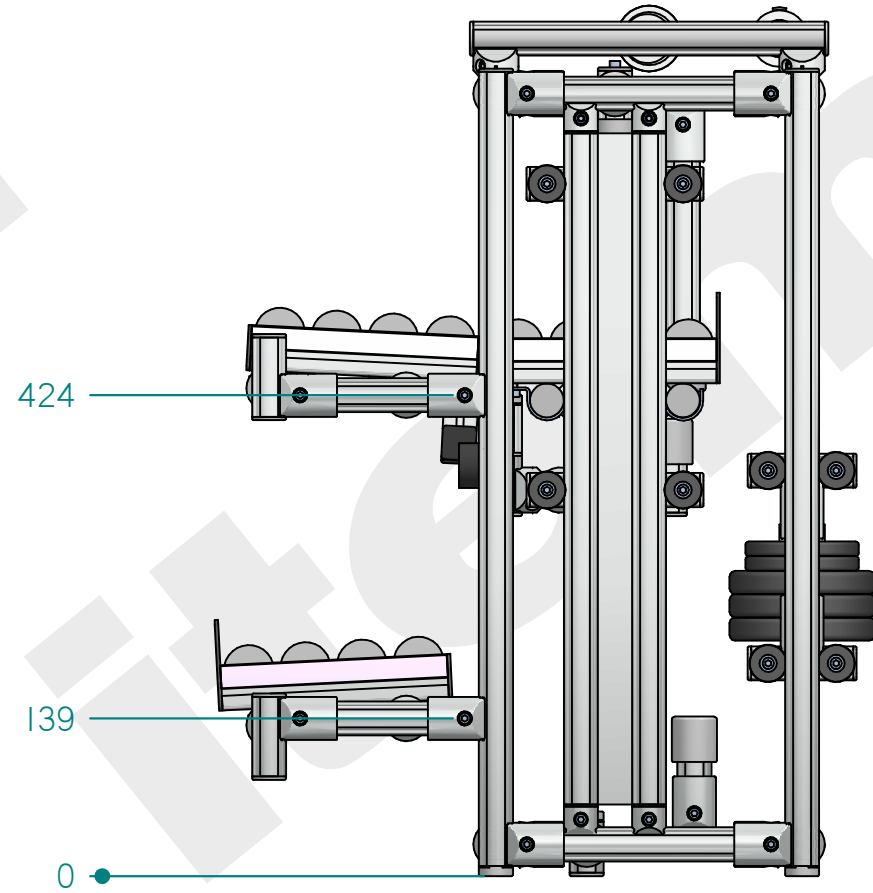
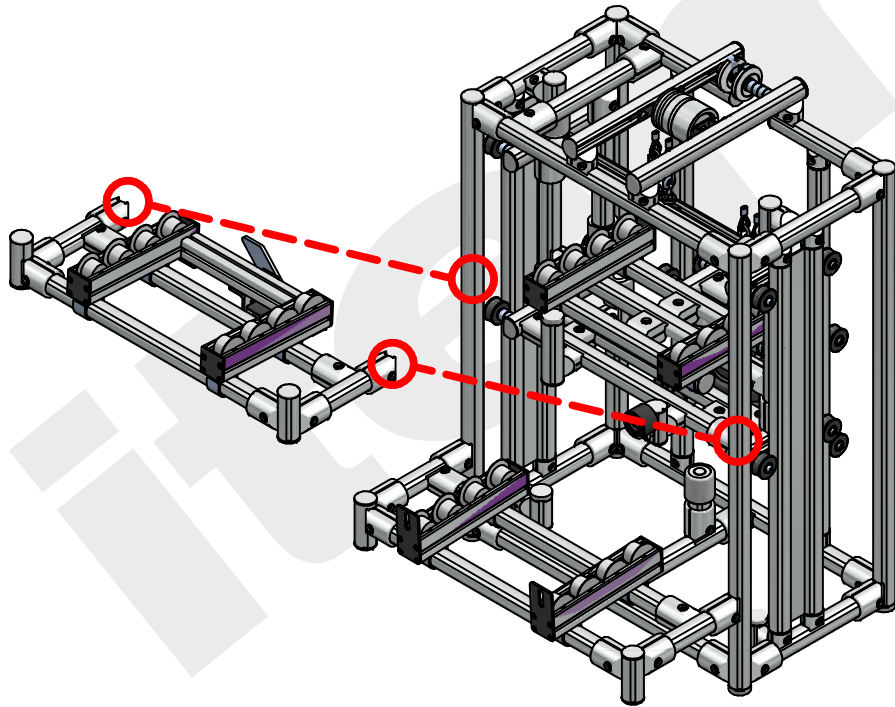
PROYECT NAME: CS-00011203_KARAKURI -LIFT.asm	
DESIGN BY:	EdderAcuñaMora 05/05/2023
DRAWING BY:	EdderAcuñaMora 08/05/2023
CUSTOMER APPROVAL	

item
MEXICO

SystemSolid Edge 

CUSTOMER: ITEM	
DWG. NAME:	CS-00011203_KARAKURI -LIFT_DRAFT
SOLUTION:	REV.:
Unless otherwise specified, all measures are in mm	
PAGE: 22	

ASSEMBLY I STEP 5



PROYECT NAME: CS-00011203_KARAKURI -LIFT.asm	
DESIGN BY:	EdderAcuñaMora 05/05/2023
DRAWING BY:	EdderAcuñaMora 08/05/2023
CUSTOMER APPROVAL	

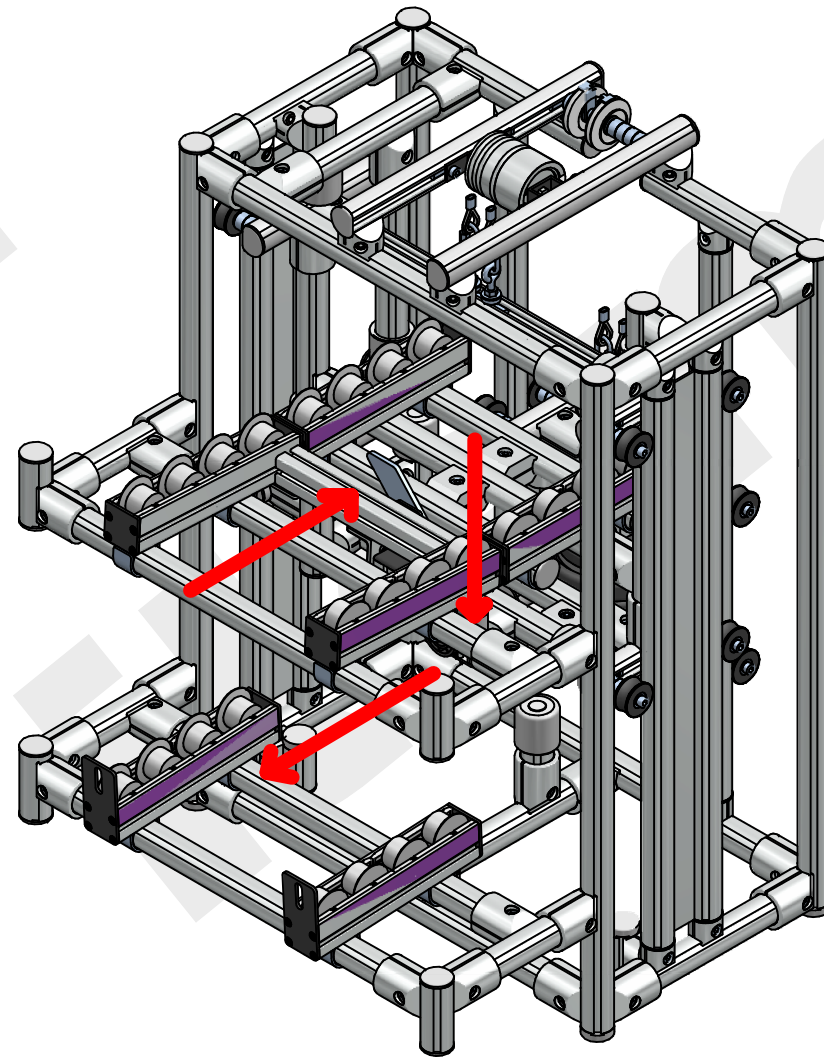


SystemSolid Edge

CUSTOMER: ITEM	
DWG. NAME:	CS-00011203_KARAKURI -LIFT_DRAFT
SOLUTION:	REV:
Unless otherwise specified, all measures are in mm	
PAGE: 23	

You finished!
Well done, now check the flow of the package
and adjust if it's necessary.

Thanks a lot!



PROJECT NAME:	CS-00011203_KARAKURI -LIFT.asm	
DESIGN BY:	EdderAcuñaMora	05/05/2023
DRAWING BY:	EdderAcuñaMora	08/05/2023
CUSTOMER APPROVAL		



CUSTOMER:	ITEM	
DWG. NAME:	CS-00011203_KARAKURI -LIFT_DRAFT	
SOLUTION:		REV.:
Unless otherwise specified, all measures are in mm		
		PAGE: 24