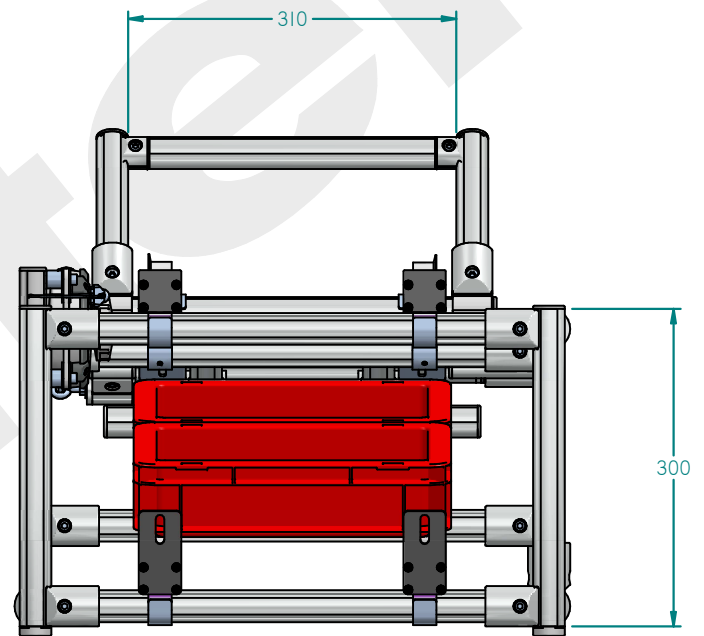
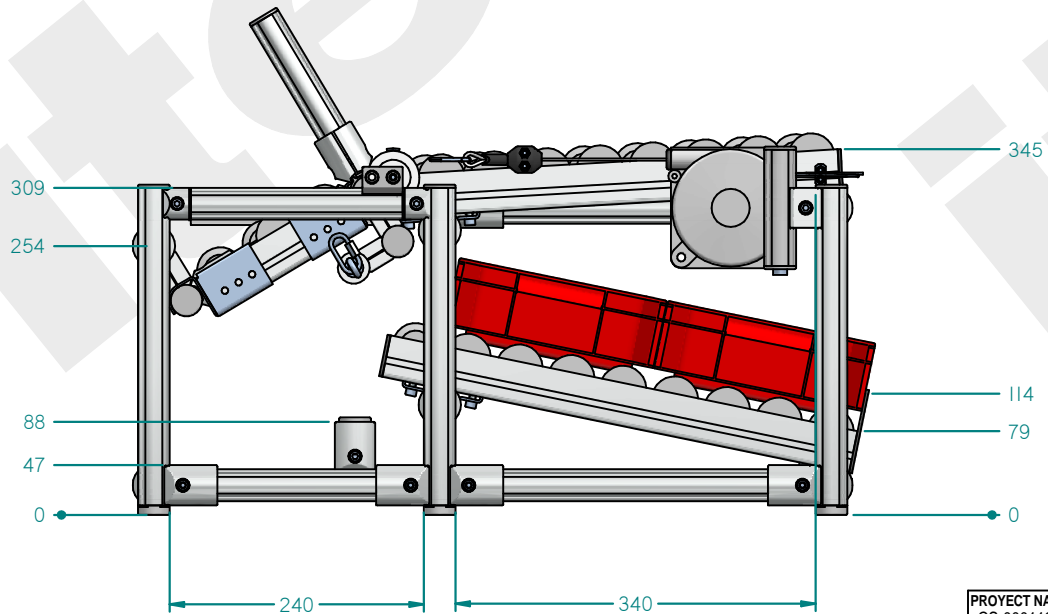
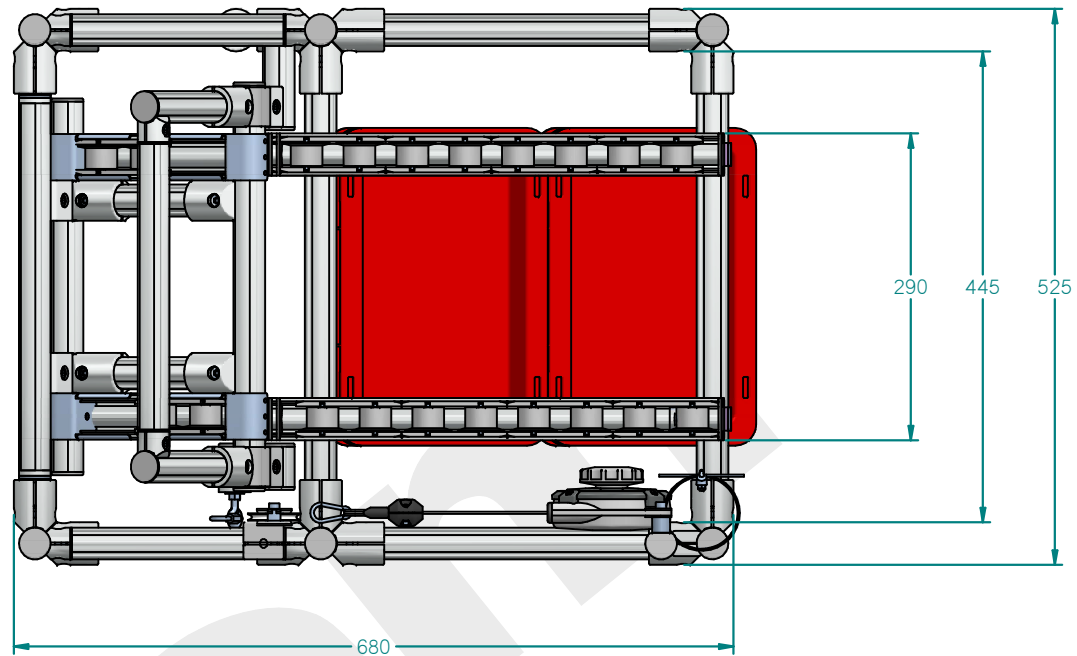


PROYECT NAME:	CS-00011204_KARAKURI-RETURNING FLAP.asm	
DESIGN BY:	EdderAcuñaMojat	2/05/2023
DRAWING BY:	EdderAcuñaMojat	2/05/2023
CUSTOMER APPROVAL		



SystemSolid Edge 

CUSTOMER:	ITEM	
DWG. NAME:	CS-00011204_KARAKURI-RETURNING FLAP	
SOLUTION:		REV.:
Unless otherwise specified, all measures are in mm		PAGE: 1



PROJECT NAME:	CS-00011204_KARAKURI-RETURNING FLAP.asm	
DESIGN BY:	EdderAcuñaMojat/2/05/2023	
DRAWING BY:	EdderAcuñaMojat/2/05/2023	
CUSTOMER APPROVAL		

item
MEXICO

SystemSolid Edge



CUSTOMER:	ITEM	
DWG. NAME:	CS-00011204_KARAKURI-RETURNING FLAP	
SOLUTION:		REV.:
Unless otherwise specified, all measures are in mm		PAGE: 2