

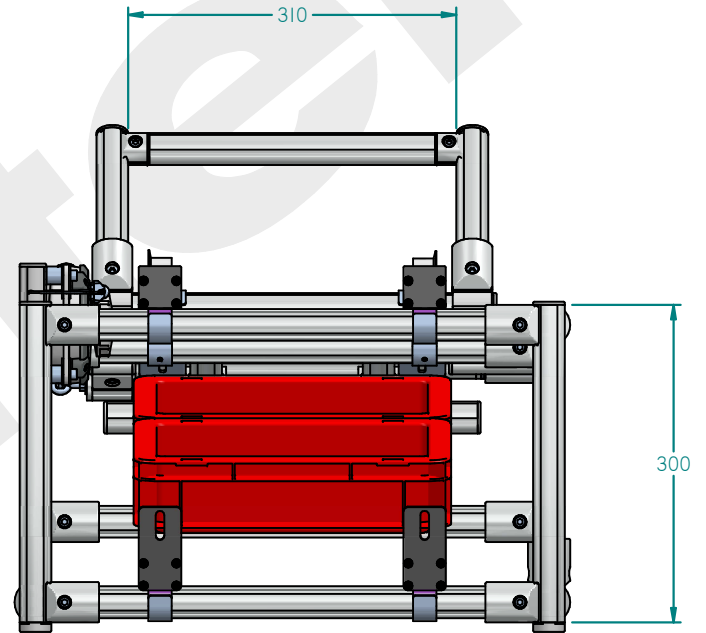
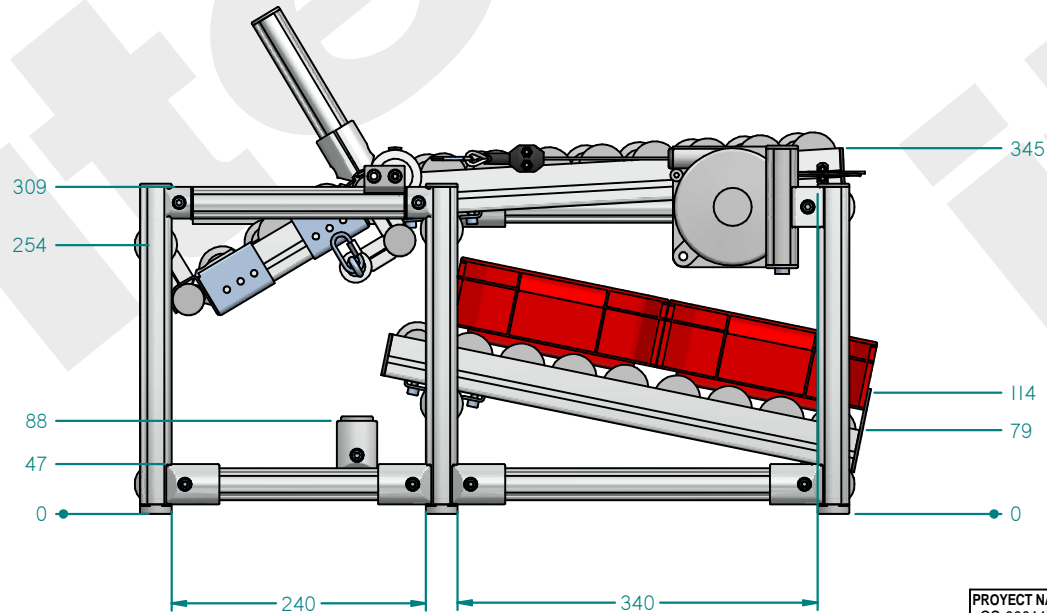
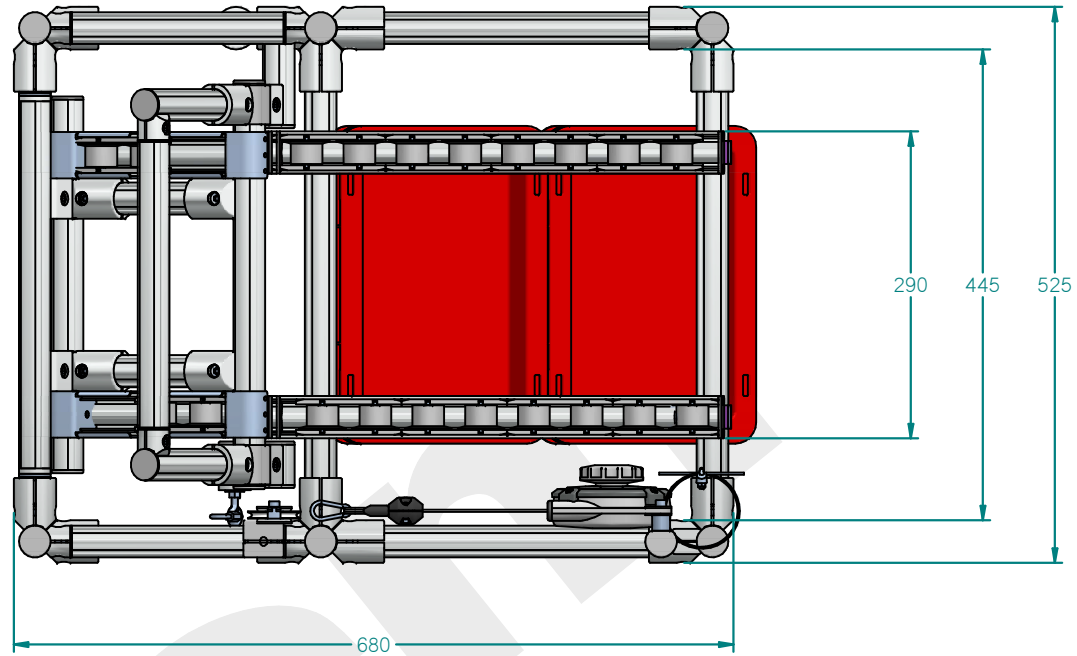
| | |
|--|---------------------------|
| PROYECT NAME: CS-00011204_KARAKURI-RETURNING FLAP.asm | |
| DESIGN BY: | EdderAcuñaMojat/2/05/2023 |
| DRAWING BY: | EdderAcuñaMojat/2/05/2023 |
| CUSTOMER APPROVAL | |



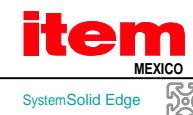
SystemSolid Edge 

| | |
|--|---|
| CUSTOMER: ITEM | |
| DWG. NAME: | CS-00011204_KARAKURI-RETURNING FLAP_DRAFT |
| SOLUTION: | REV.: |
| Unless otherwise specified, all measures are in mm | |
| PAGE: 1 | |

GENERAL VIEWS

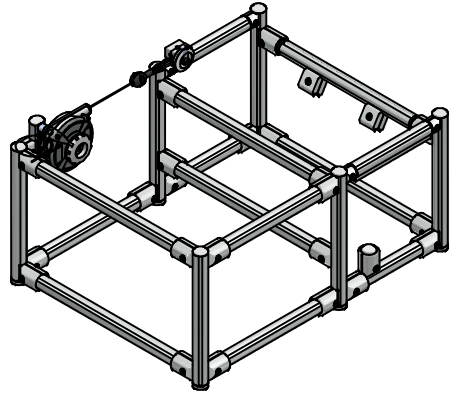


| | |
|--|---------------------------|
| PROJECT NAME: CS-00011204_KARAKURI-RETURNING FLAP.asm | |
| DESIGN BY: | EdderAcuñaMojat/2/05/2023 |
| DRAWING BY: | EdderAcuñaMojat/2/05/2023 |
| CUSTOMER APPROVAL | |

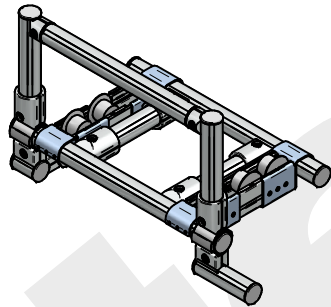


| | |
|--|---|
| CUSTOMER: ITEM | |
| DWG. NAME: | CS-00011204_KARAKURI-RETURNING FLAP_DRAFT |
| SOLUTION: | REV.: |
| Unless otherwise specified, all measures are in mm | |
| PAGE: 2 | |

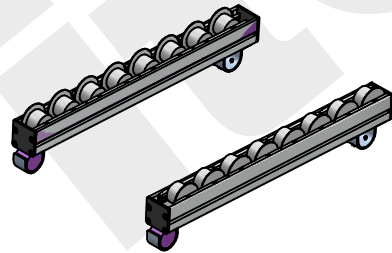
GENERAL SUB-ASSEMBLIES



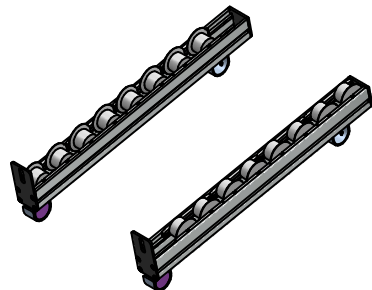
1
FRAME



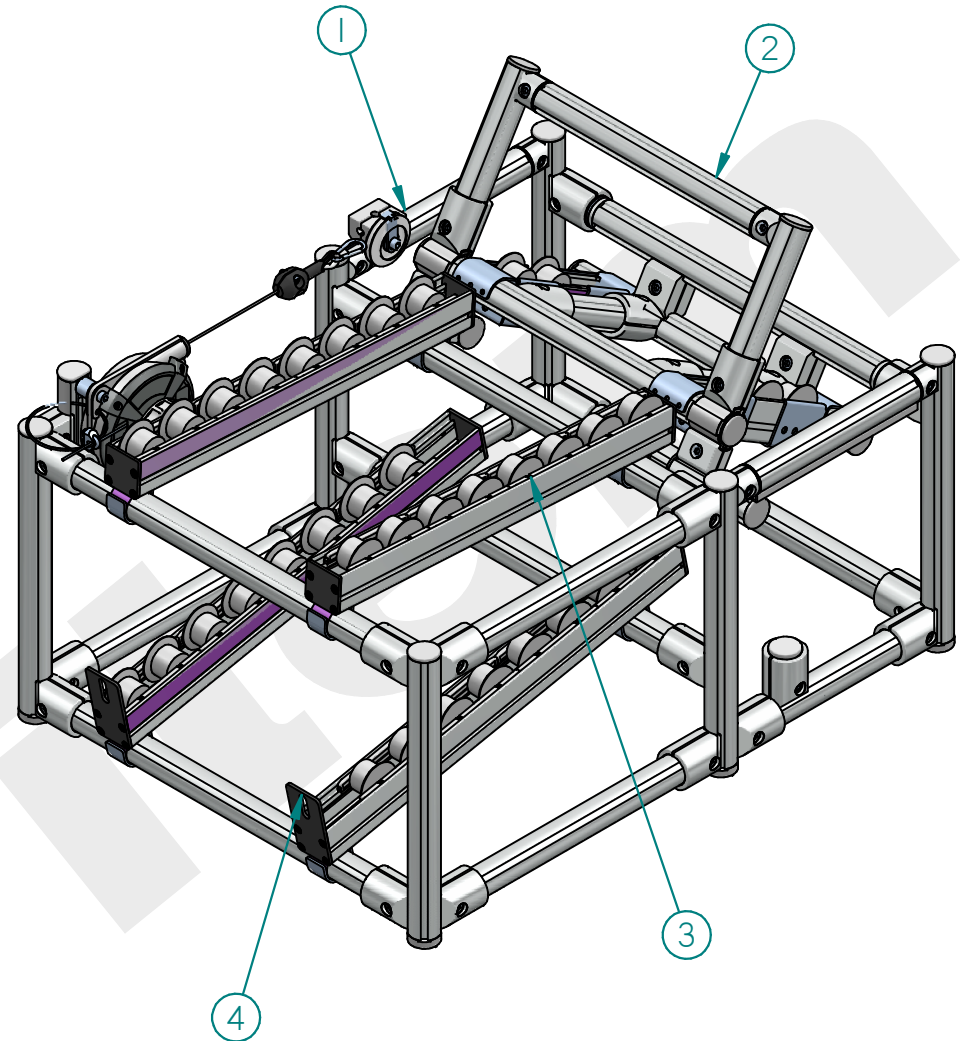
2
FOLDABLE BED



3
INPUT CONVEYOR



4
OUTPUT CONVEYOR



| | | |
|--------------------|---|-----------|
| PROJECT NAME: | CS-00011204_KARAKURI-RETURNING FLAP.asm | |
| DESIGN BY: | EdderAcuñaMojat | 2/05/2023 |
| DRAWING BY: | EdderAcuñaMojat | 2/05/2023 |
| CUSTOMER APPROVAL: | | |

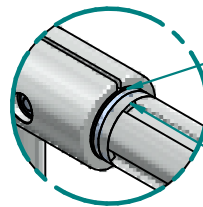


SystemSolid Edge

| | | |
|--|---|---------|
| CUSTOMER: | ITEM | |
| DWG. NAME: | CS-00011204_KARAKURI-RETURNING FLAP_DRAFT | |
| SOLUTION: | | REV.: |
| Unless otherwise specified, all measures are in mm | | PAGE: 3 |

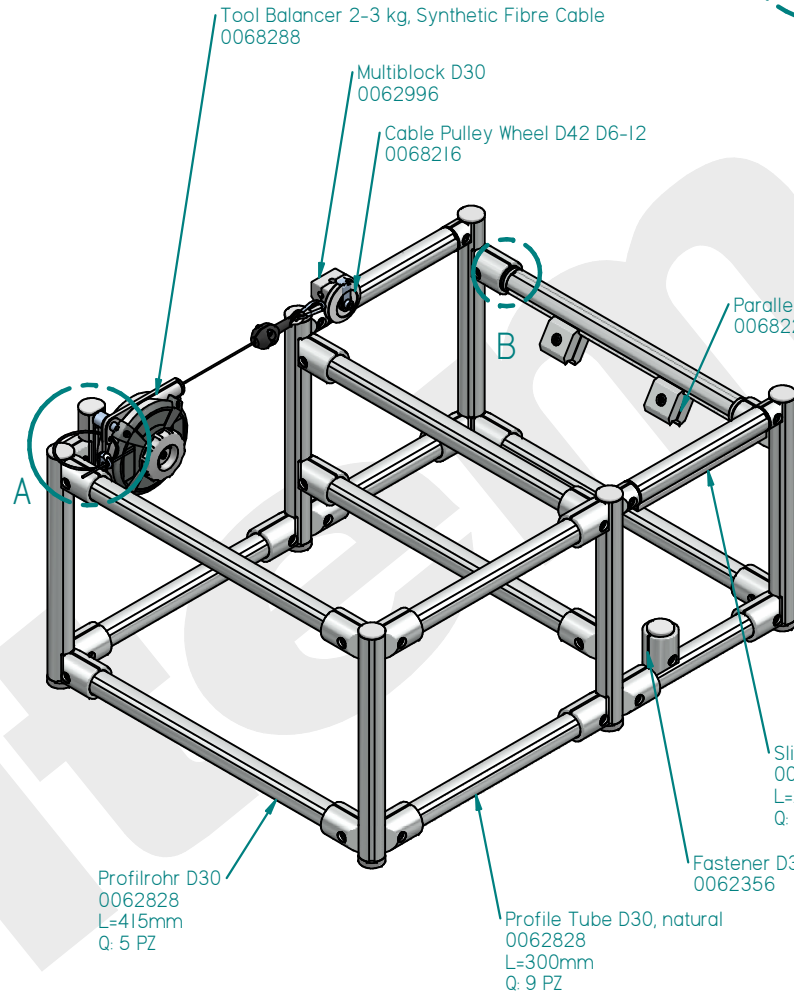
1 FRAME I PARTS

DETALLE B



Pivot bearing set
0066951

Threaded Insert, Profile Tube D30 M8 Al
0067517



Tool Balancer 2-3 kg, Synthetic Fibre Cable
0068288

Multiblock D30
0062996

Cable Pulley Wheel D42 D6-I2
0068216

Profile Tube D30, natural
0062828
L=200mm
Q: 2 PZ

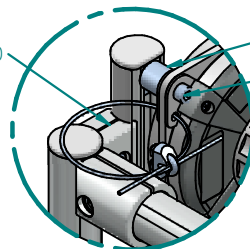
Parallel Fastener D30-60
0068221

Slide Strip D30, grey similar to RAL 7042
0063458
L=200mm
Q: 1 PZ

Fastener D30
0062356

Profilrohr D30
0062828
L=415mm
Q: 5 PZ

Profile Tube D30, natural
0062828
L=300mm
Q: 9 PZ

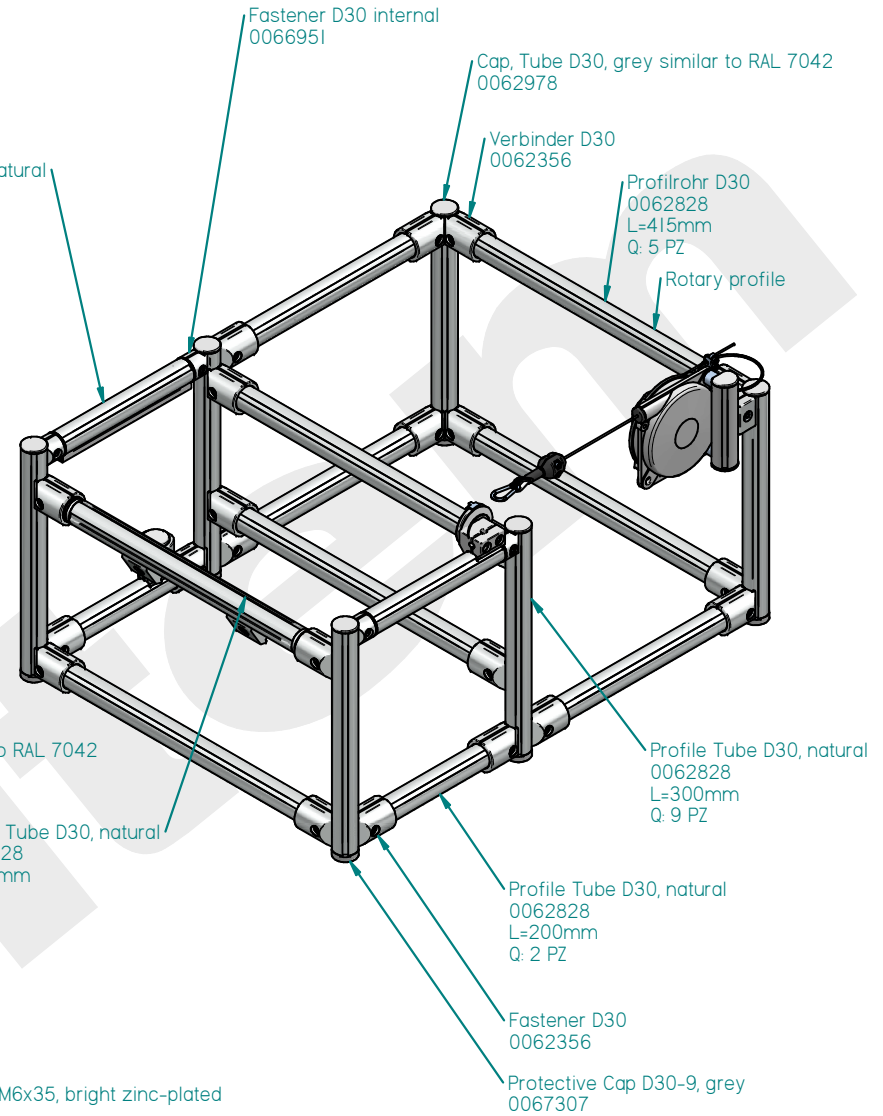


Parallel Fastener D30
0062994

Spacer Bushing D17-D8-I5
0068565

Hexagon Socket Head Cap Screw DIN 912 M6x35, bright zinc-plated
8000123

DETALLE A



Fastener D30 internal
0066951

Cap, Tube D30, grey similar to RAL 7042
0062978

Verbinder D30
0062356

Profilrohr D30
0062828
L=415mm
Q: 5 PZ

Rotary profile

Profile Tube D30, natural
0062828
L=347mm
Q: 1 PZ

Profile Tube D30, natural
0062828
L=300mm
Q: 9 PZ

Profile Tube D30, natural
0062828
L=200mm
Q: 2 PZ

Fastener D30
0062356

Protective Cap D30-9, grey
0067307

| | | |
|-------------------|---|-----------|
| PROJECT NAME: | CS-00011204_KARAKURI-RETURNING FLAP.asm | |
| DESIGN BY: | EdderAcuñaMojat | 2/05/2023 |
| DRAWING BY: | EdderAcuñaMojat | 2/05/2023 |
| CUSTOMER APPROVAL | | |

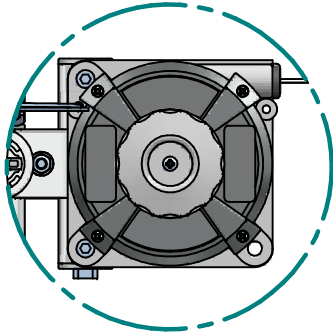
item
MEXICO

SystemSolid Edge

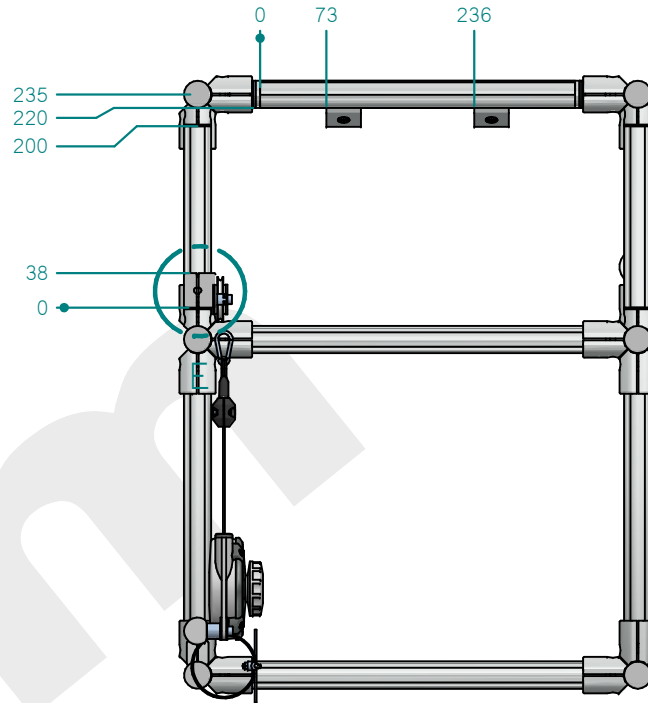
| | | |
|--|---|---------|
| CUSTOMER: | ITEM | |
| DWG. NAME: | CS-00011204_KARAKURI-RETURNING FLAP_DRAFT | |
| SOLUTION: | | REV.: |
| Unless otherwise specified, all measures are in mm | | PAGE: 4 |

1 FRAME

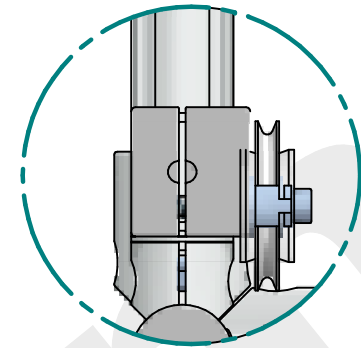
Remember, you can adjust the tensión turning the center handle.



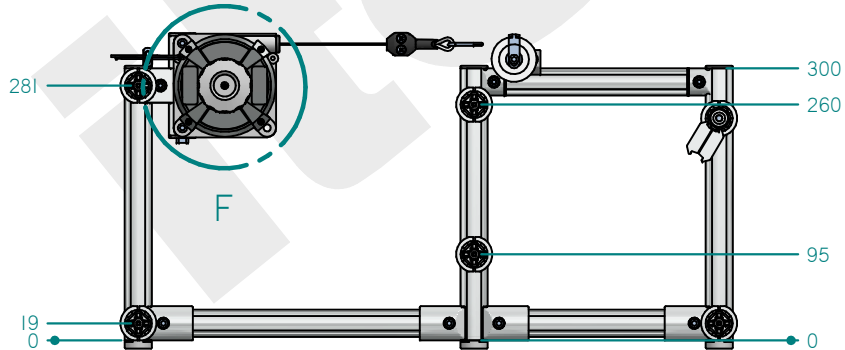
DETALLE F



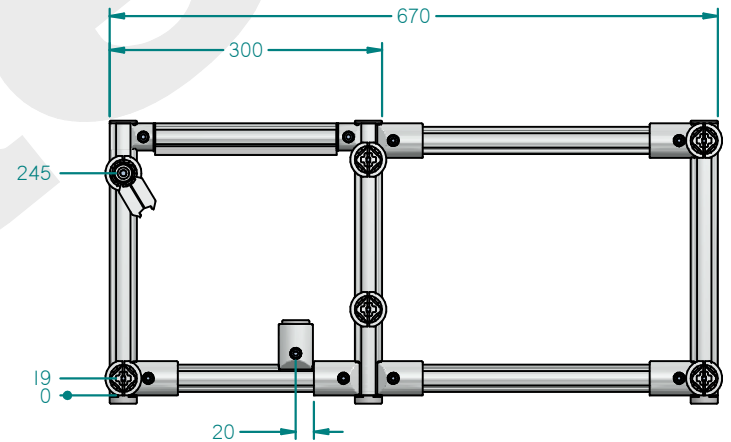
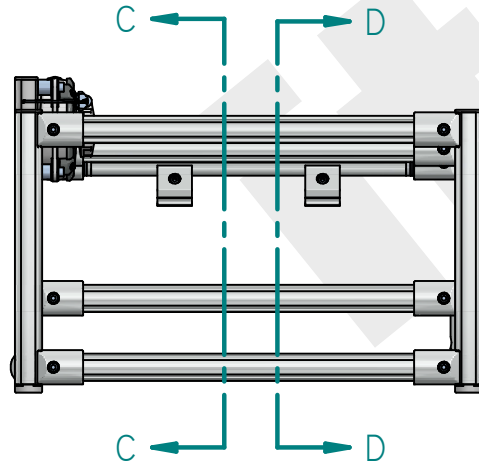
Fix the pulley cable wheel in the variofix block



DETALLE E



SECCIÓN C-C



SECCIÓN D-D

| | |
|-------------------|---|
| PROYECT NAME: | CS-00011204_KARAKURI-RETURNING FLAP.asm |
| DESIGN BY: | EdderAcuñaMojat 2/05/2023 |
| DRAWING BY: | EdderAcuñaMojat 2/05/2023 |
| CUSTOMER APPROVAL | |

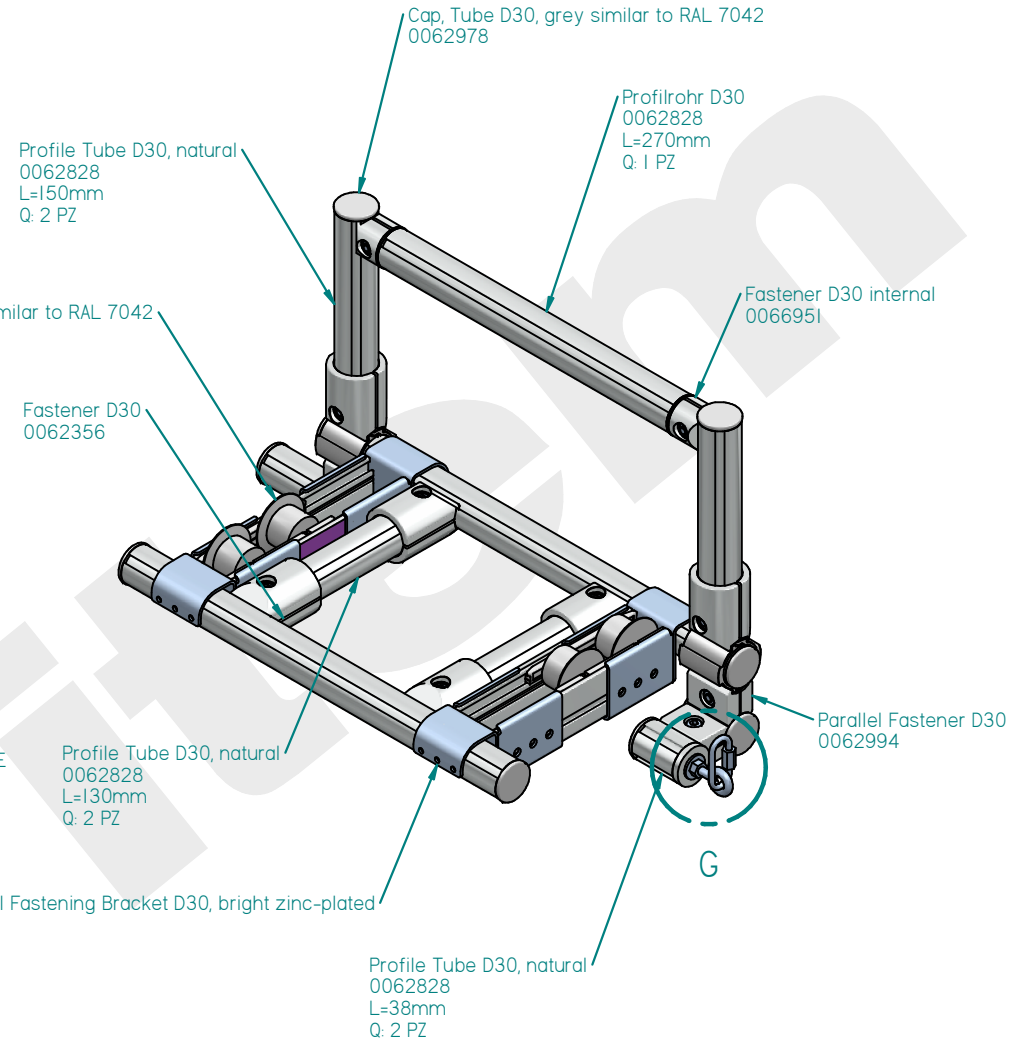
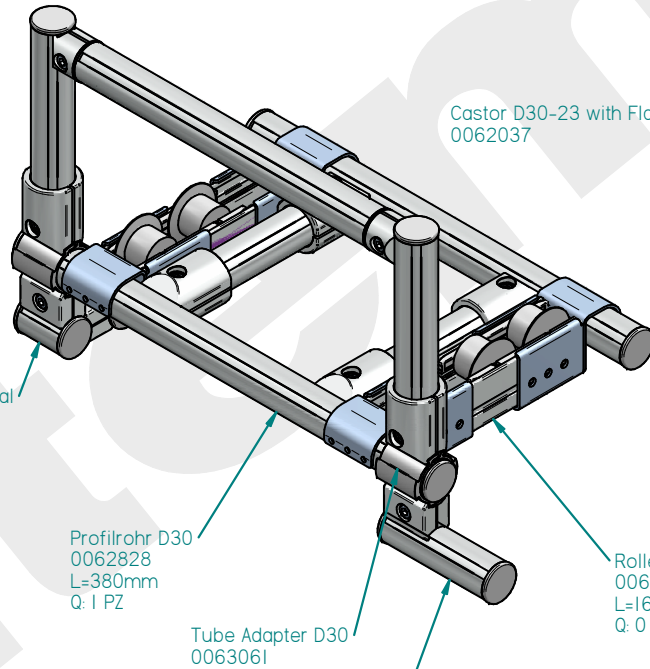
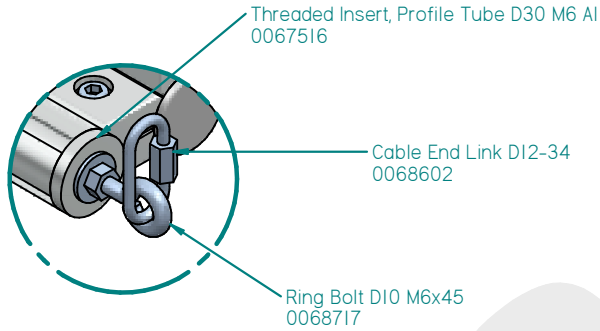


SystemSolid Edge

| | |
|--|---|
| CUSTOMER: | ITEM |
| DWG. NAME: | CS-00011204_KARAKURI-RETURNING FLAP_DRAFT |
| SOLUTION: | REV.: |
| Unless otherwise specified, all measures are in mm | |
| PAGE: 5 | |

2 FOLDABLE BED | PARTS

DETALLE G



| | | |
|-------------------|---|------------|
| PROJECT NAME: | CS-00011204_KARAKURI-RETURNING FLAP.asm | |
| DESIGN BY: | EdderAcuñaMojat | 12/05/2023 |
| DRAWING BY: | EdderAcuñaMojat | 2/05/2023 |
| CUSTOMER APPROVAL | | |

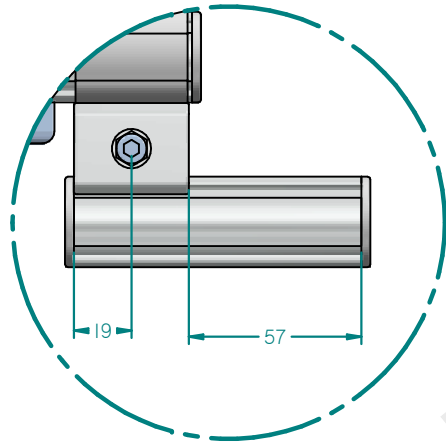
item
MEXICO

SystemSolid Edge

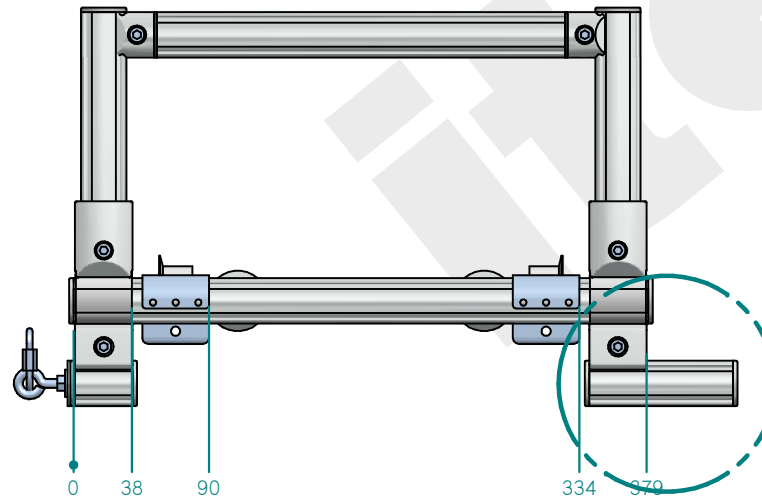
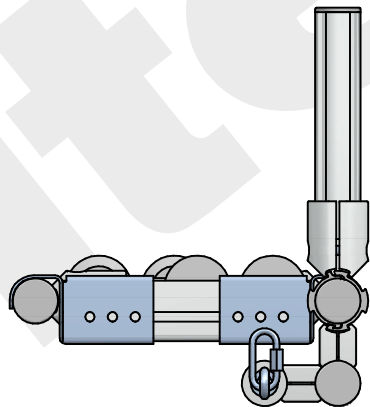
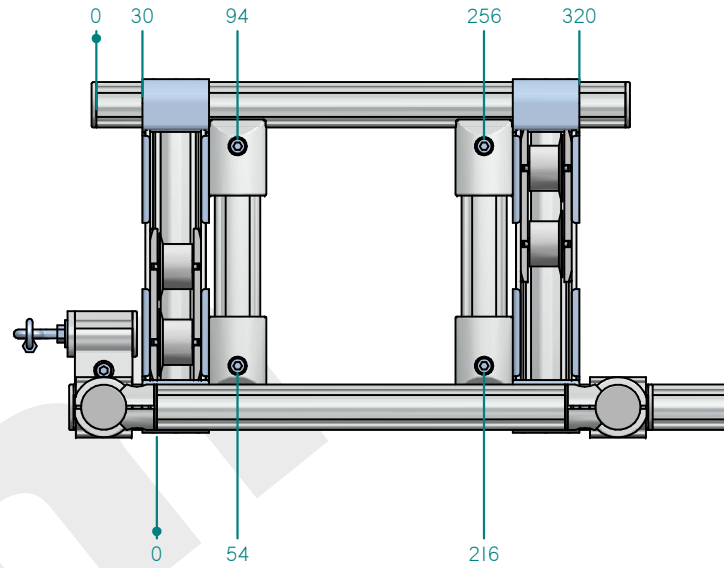


| | | |
|--|---|---------|
| CUSTOMER: | ITEM | |
| DWG. NAME: | CS-00011204_KARAKURI-RETURNING FLAP_DRAFT | |
| SOLUTION: | | REV.: |
| Unless otherwise specified, all measures are in mm | | PAGE: 6 |

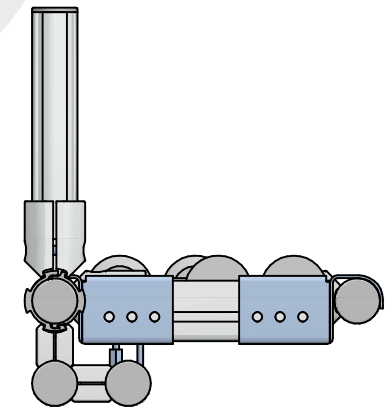
2 FOLDABLE BED



DETALLE H



H



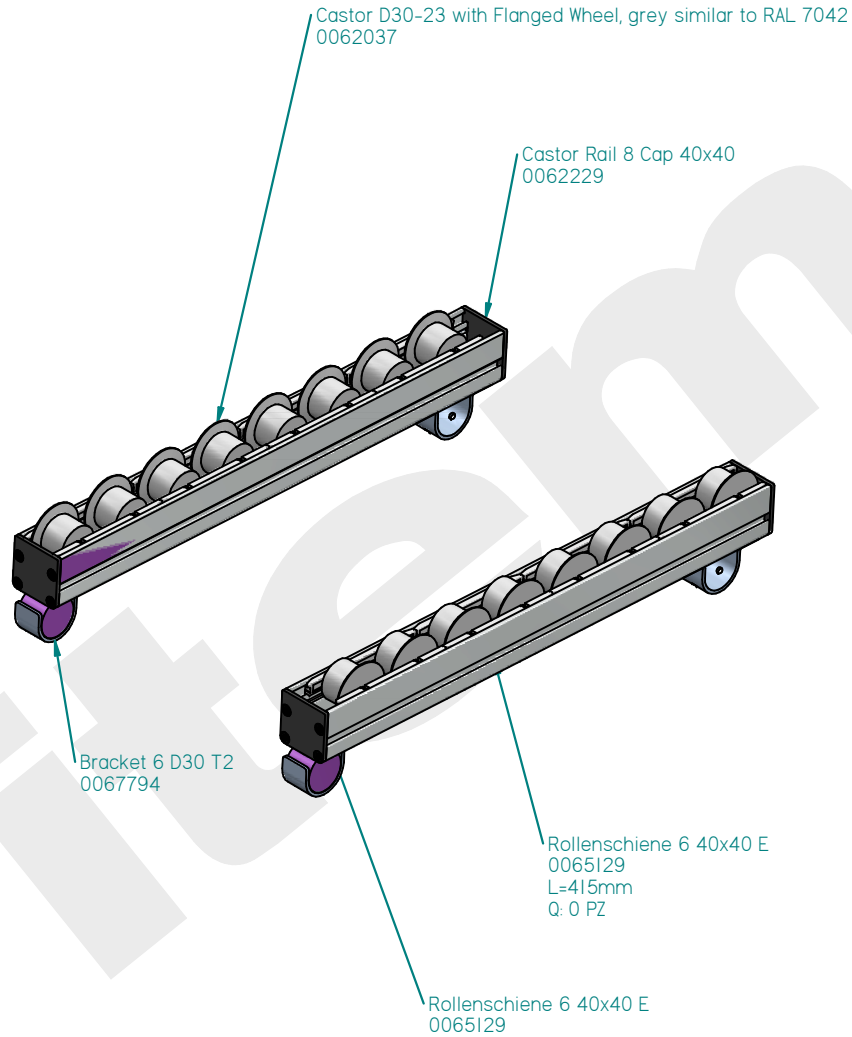
| | |
|--------------------|---|
| PROYECT NAME: | CS-00011204_KARAKURI-RETURNING FLAP.asm |
| DESIGN BY: | EdderAcuñaMojat 2/05/2023 |
| DRAWING BY: | EdderAcuñaMojat 2/05/2023 |
| CUSTOMER APPROVAL: | |

item
MEXICO

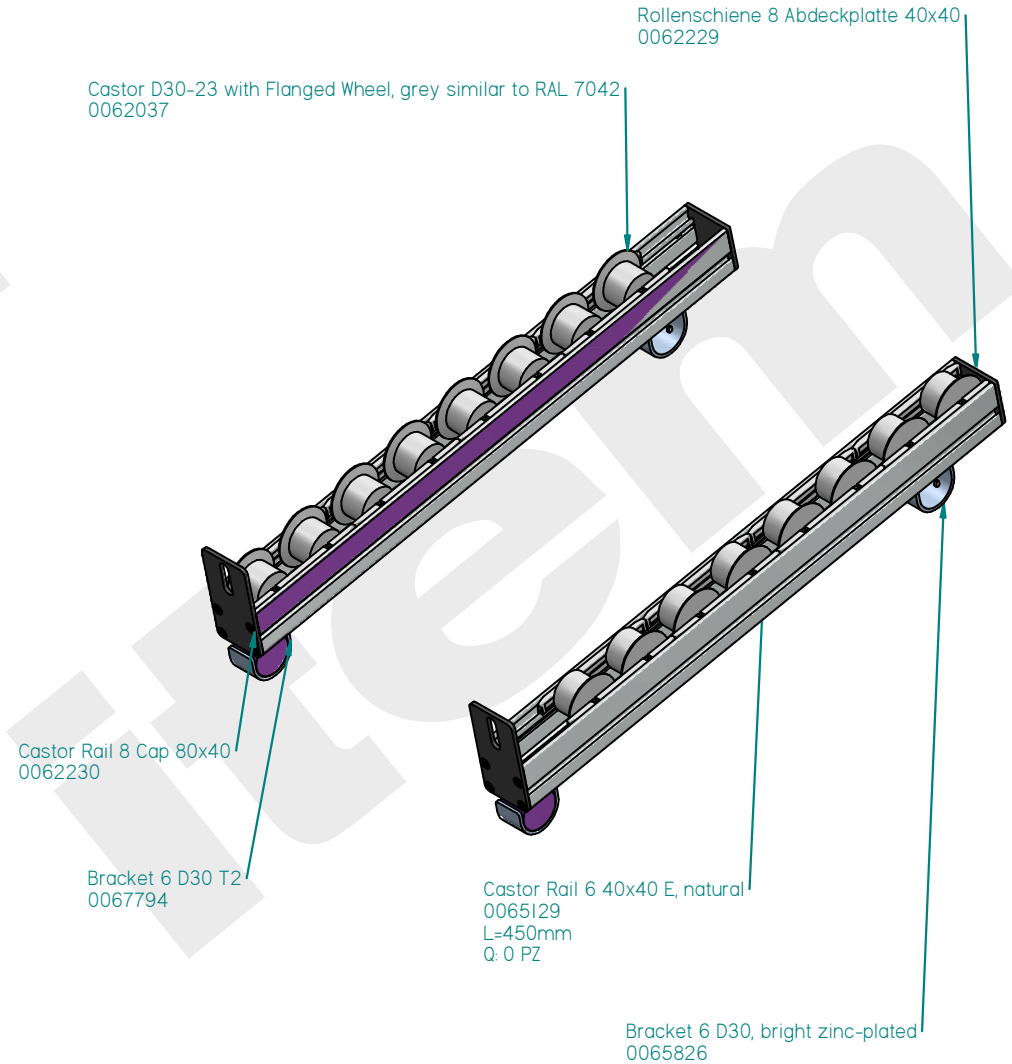
SystemSolid Edge

| | |
|--|---|
| CUSTOMER: | ITEM |
| DWG. NAME: | CS-00011204_KARAKURI-RETURNING FLAP_DRAFT |
| SOLUTION: | REV.: |
| Unless otherwise specified, all measures are in mm | |
| PAGE: | 7 |

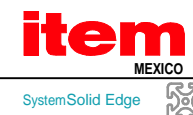
3 INPUT CONVEYOR | PARTS



4 OUTPUT CONVEYOR | PARTS

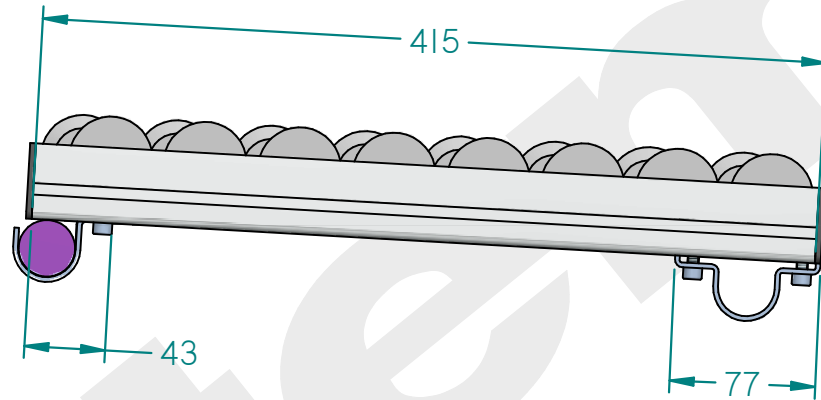


| | |
|--|---------------------------|
| PROJECT NAME: CS-00011204_KARAKURI-RETURNING FLAP.asm | |
| DESIGN BY: | EdderAcuñaMojat 2/05/2023 |
| DRAWING BY: | EdderAcuñaMojat 2/05/2023 |
| CUSTOMER APPROVAL | |

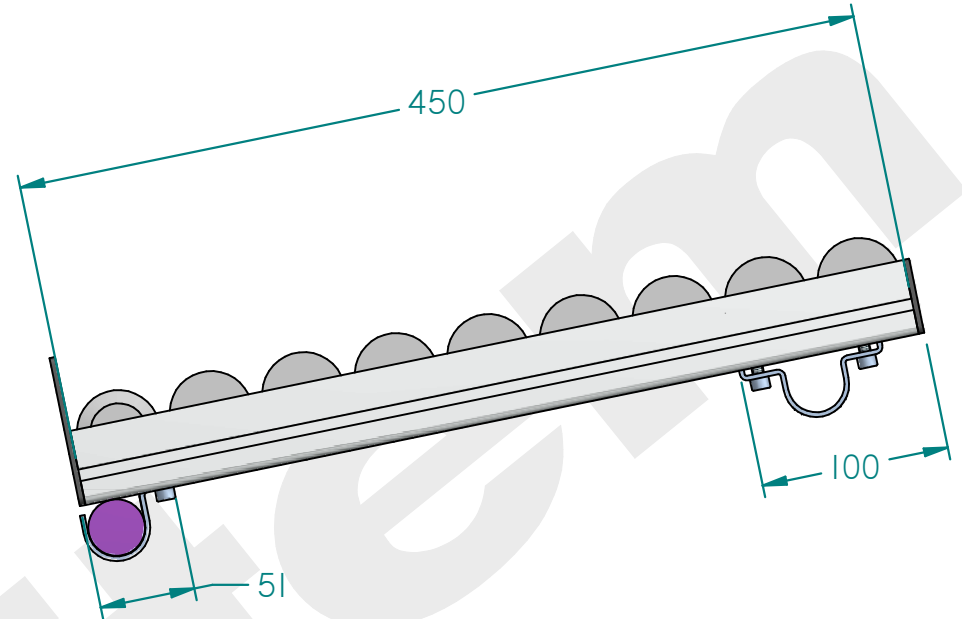


| | |
|--|---|
| CUSTOMER: ITEM | |
| DWG. NAME: | CS-00011204_KARAKURI-RETURNING FLAP_DRAFT |
| SOLUTION: | REV.: |
| Unless otherwise specified, all measures are in mm | |
| PAGE: 8 | |

3 INPUT CONVEYOR | PARTS



4 OUTPUT CONVEYOR | PARTS



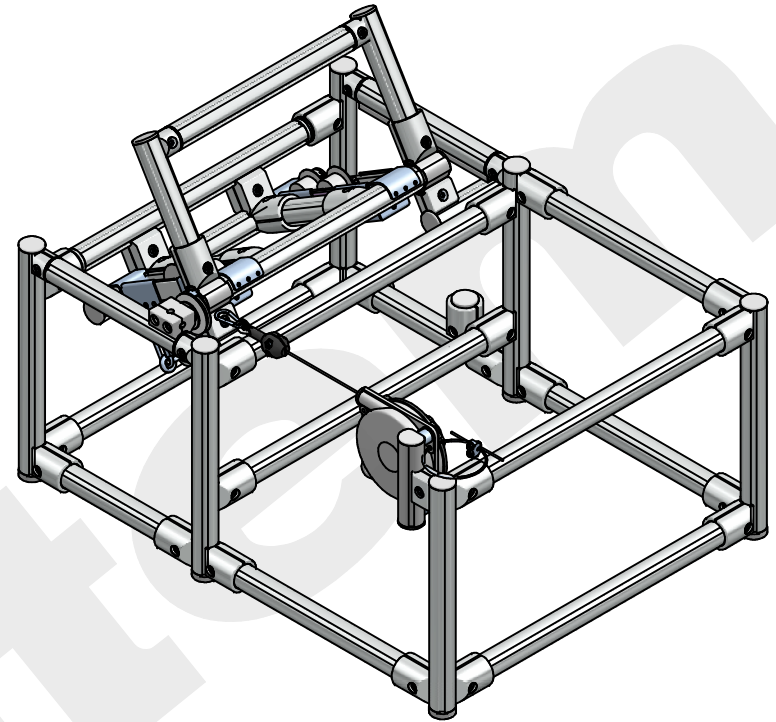
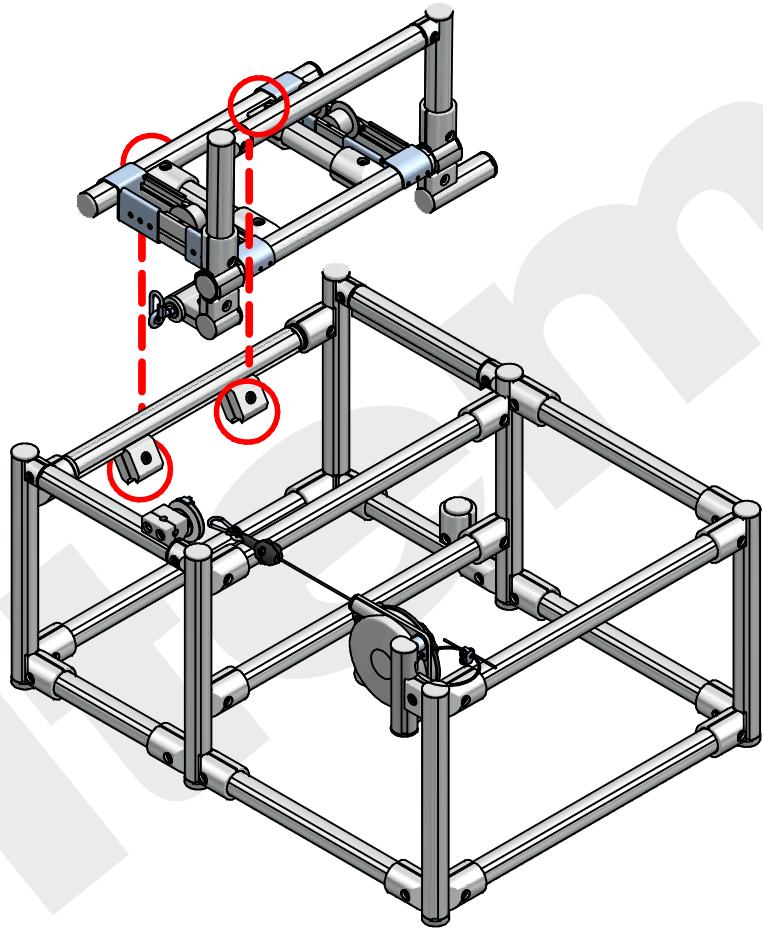
| | | |
|-------------------|---|-----------|
| PROYECT NAME: | CS-00011204_KARAKURI-RETURNING FLAP.asm | |
| DESIGN BY: | EdderAcuñaMojat | 2/05/2023 |
| DRAWING BY: | EdderAcuñaMojat | 2/05/2023 |
| CUSTOMER APPROVAL | | |

item
MEXICO

SystemSolid Edge

| | | |
|--|---|---------|
| CUSTOMER: | ITEM | |
| DWG. NAME: | CS-00011204_KARAKURI-RETURNING FLAP_DRAFT | |
| SOLUTION: | | REV.: |
| Unless otherwise specified, all measures are in mm | | PAGE: 9 |

ASSEMBLY I STEP 1



| | |
|--|--------------------------|
| PROYECT NAME: CS-00011204_KARAKURI-RETURNING FLAP.asm | |
| DESIGN BY: | EdderAcuñaMora 2/05/2023 |
| DRAWING BY: | EdderAcuñaMora 2/05/2023 |
| CUSTOMER APPROVAL | |

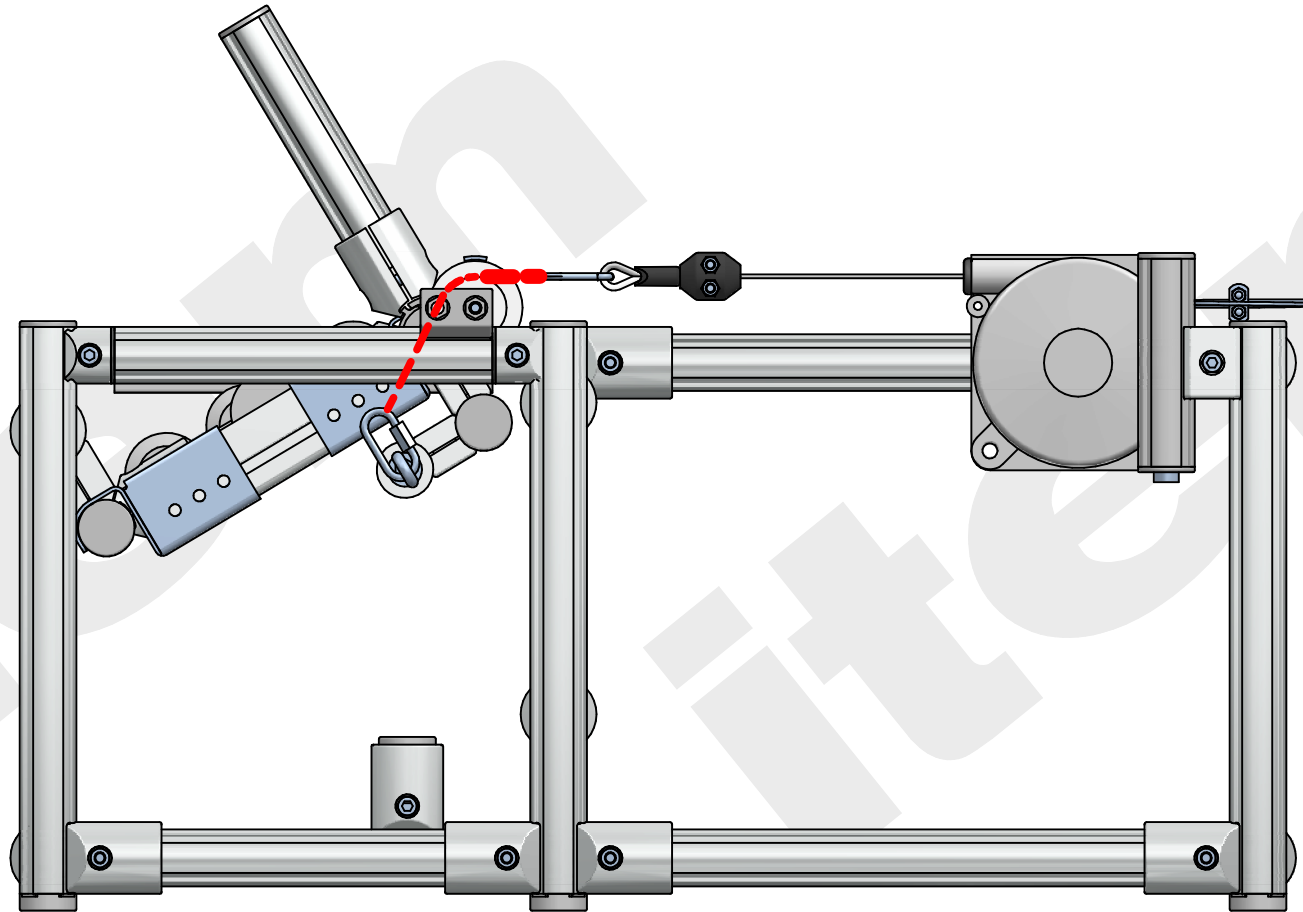


SystemSolid Edge 

| | |
|--|---|
| CUSTOMER: ITEM | |
| DWG. NAME: | CS-00011204_KARAKURI-RETURNING FLAP_DRAFT |
| SOLUTION: | REV.: |
| Unless otherwise specified, all measures are in mm | |
| PAGE: 10 | |

ASSEMBLY I STEP 2

Connect the tool balancer cable to the foldable bed using end link, use the pulley to guide the cable.
Important, the tension in tool balancer must be enough for keep the foldable bed up, but too less than the box or package weight.
Remember, you can adjust the tensión using the handle in tool balancer.



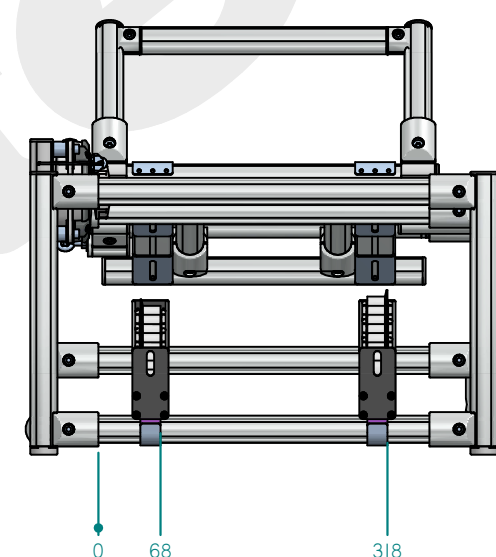
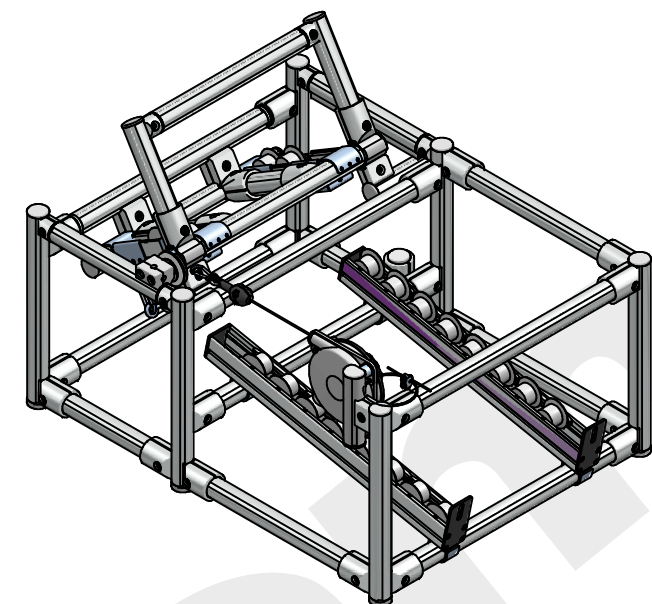
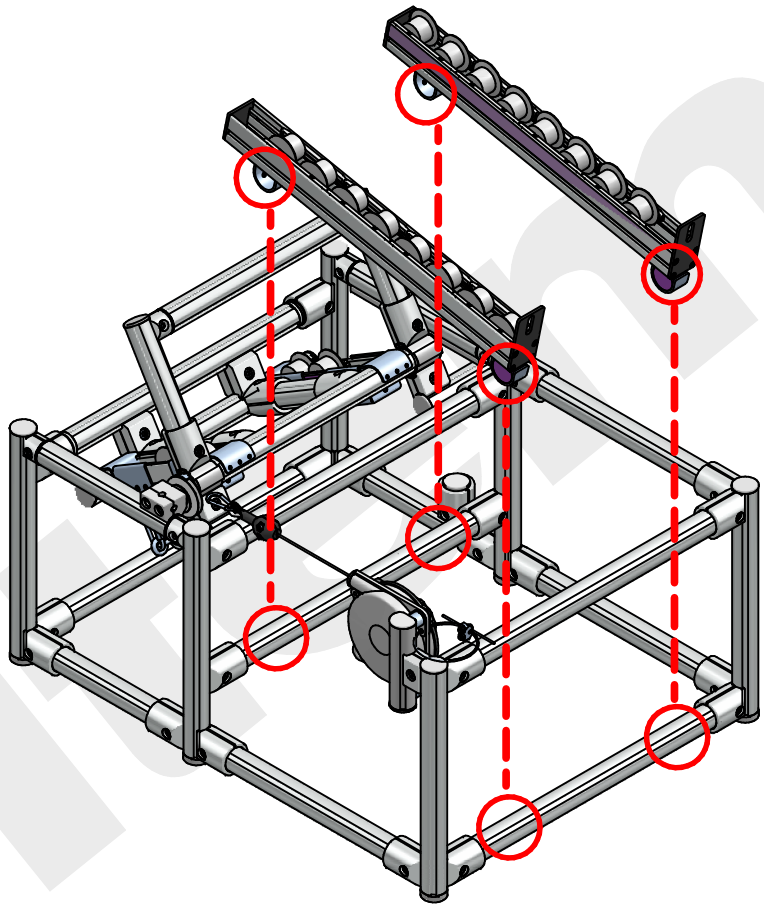
| | | |
|-------------------|---|-----------|
| PROYECT NAME: | CS-00011204_KARAKURI-RETURNING FLAP.asm | |
| DESIGN BY: | EdderAcuñaMojat | 2/05/2023 |
| DRAWING BY: | EdderAcuñaMojat | 2/05/2023 |
| CUSTOMER APPROVAL | | |

item
MEXICO

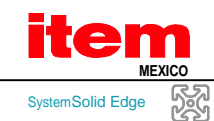
SystemSolid Edge 

| | | |
|--|---|----------|
| CUSTOMER: | ITEM | |
| DWG. NAME: | CS-00011204_KARAKURI-RETURNING FLAP_DRAFT | |
| SOLUTION: | | REV.: |
| Unless otherwise specified, all measures are in mm | | |
| | | PAGE: 11 |

ASSEMBLY I STEP 3

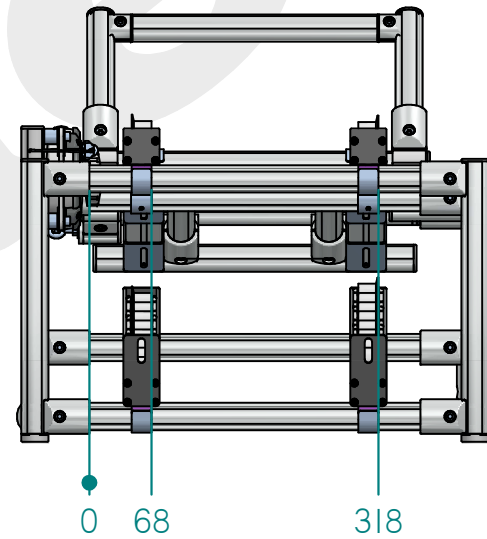
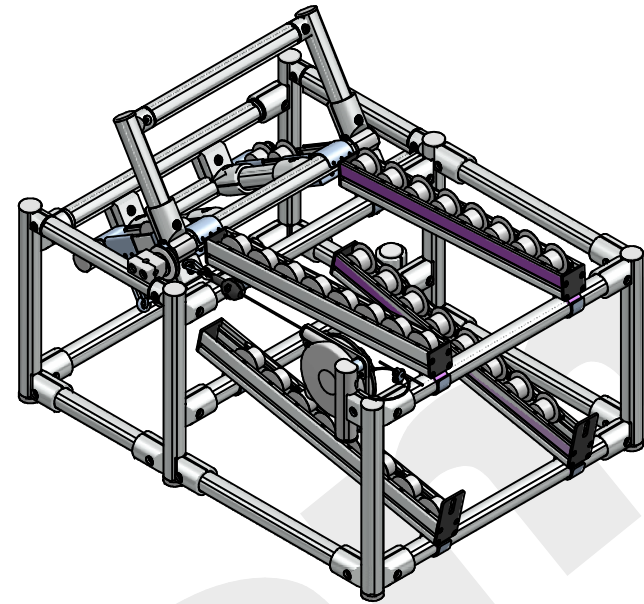
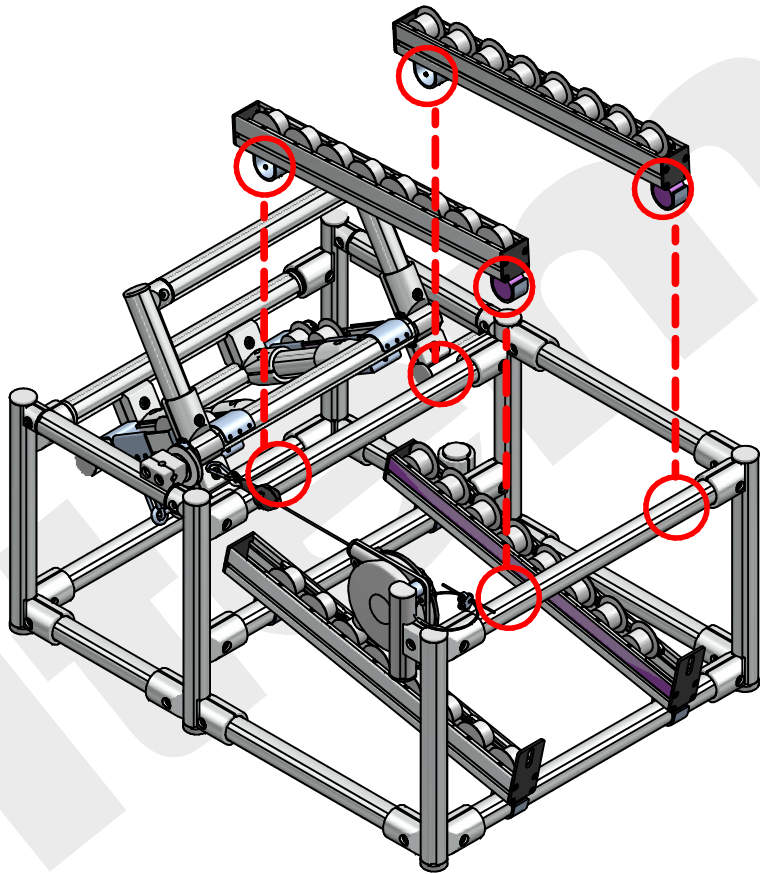


| | |
|--|---------------------------|
| PROYECT NAME: CS-00011204_KARAKURI-RETURNING FLAP.asm | |
| DESIGN BY: | EdderAcuñaMojat 2/05/2023 |
| DRAWING BY: | EdderAcuñaMojat 2/05/2023 |
| CUSTOMER APPROVAL | |



| | |
|--|---|
| CUSTOMER: ITEM | |
| DWG. NAME: | CS-00011204_KARAKURI-RETURNING FLAP_DRAFT |
| SOLUTION: | REV.: |
| Unless otherwise specified, all measures are in mm | |
| PAGE: 12 | |

ASSEMBLY | STEP 4



| | |
|-------------------|---|
| PROYECT NAME: | CS-00011204_KARAKURI-RETURNING FLAP.asm |
| DESIGN BY: | EdderAcuñaMojat 2/05/2023 |
| DRAWING BY: | EdderAcuñaMojat 2/05/2023 |
| CUSTOMER APPROVAL | |

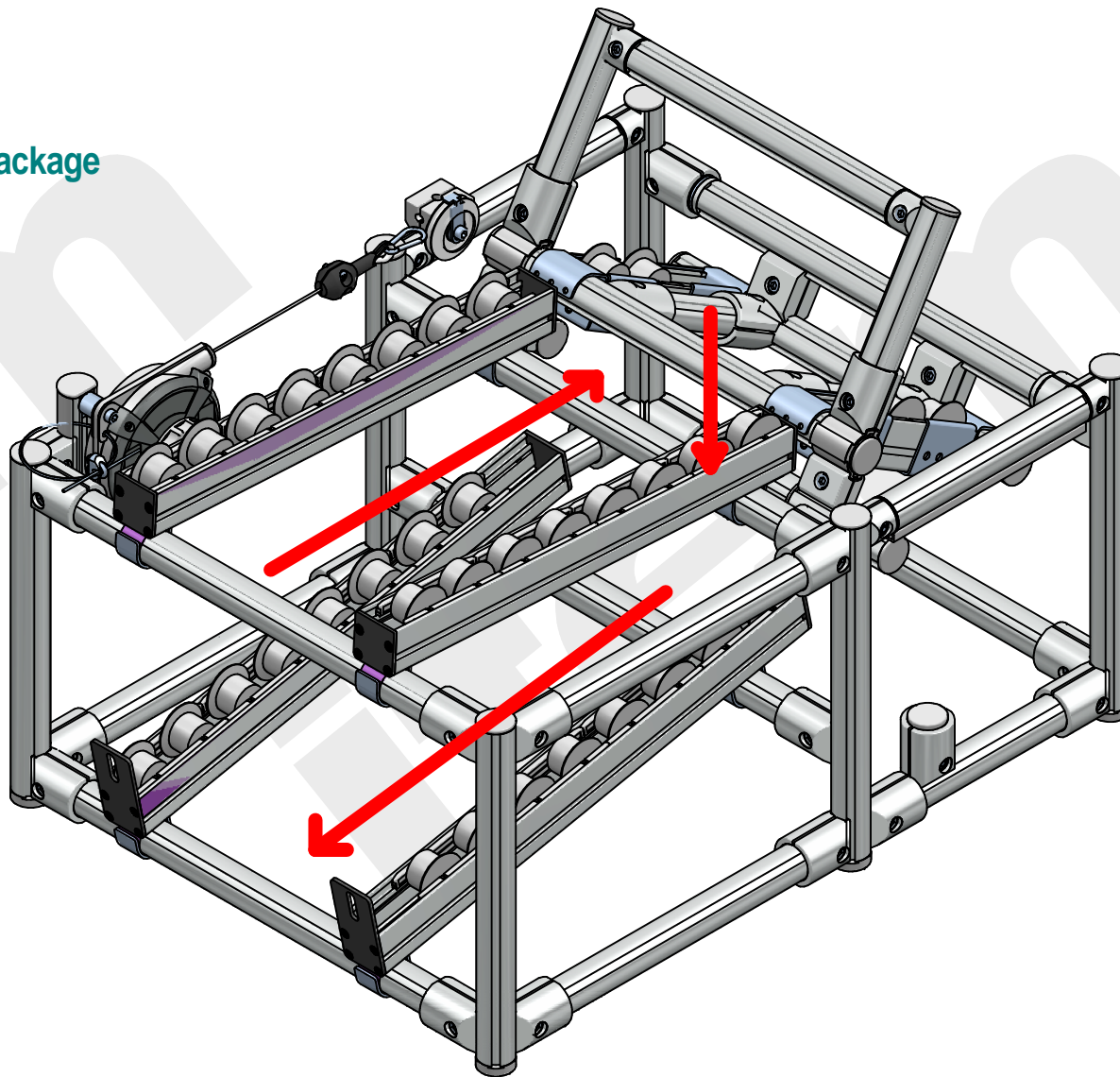


SystemSolid Edge

| | |
|--|---|
| CUSTOMER: | ITEM |
| DWG. NAME: | CS-00011204_KARAKURI-RETURNING FLAP_DRAFT |
| SOLUTION: | REV.: |
| Unless otherwise specified, all measures are in mm | |
| PAGE: 13 | |

You finished!
Well done, now check the flow of the box or package
and adjust if it's necessary.

Thanks a lot!



| | | |
|-------------------|---|--|
| PROYECT NAME: | CS-00011204_KARAKURI-RETURNING FLAP.asm | |
| DESIGN BY: | EdderAcuñaMojat 2/05/2023 | |
| DRAWING BY: | EdderAcuñaMojat 2/05/2023 | |
| CUSTOMER APPROVAL | | |



| | | |
|--|---|----------|
| CUSTOMER: | ITEM | |
| DWG. NAME: | CS-00011204_KARAKURI-RETURNING FLAP_DRAFT | |
| SOLUTION: | | REV.: |
| Unless otherwise specified, all measures are in mm | | |
| | | PAGE: 14 |