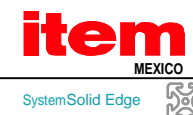
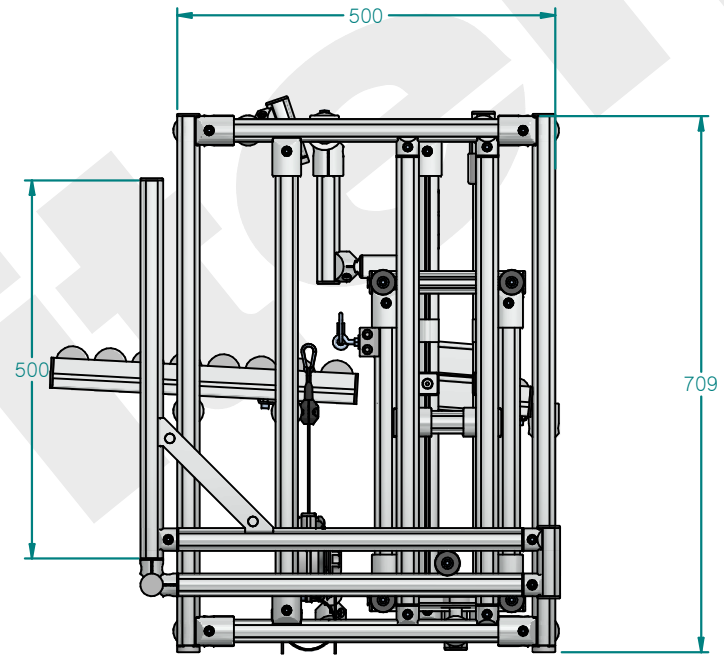
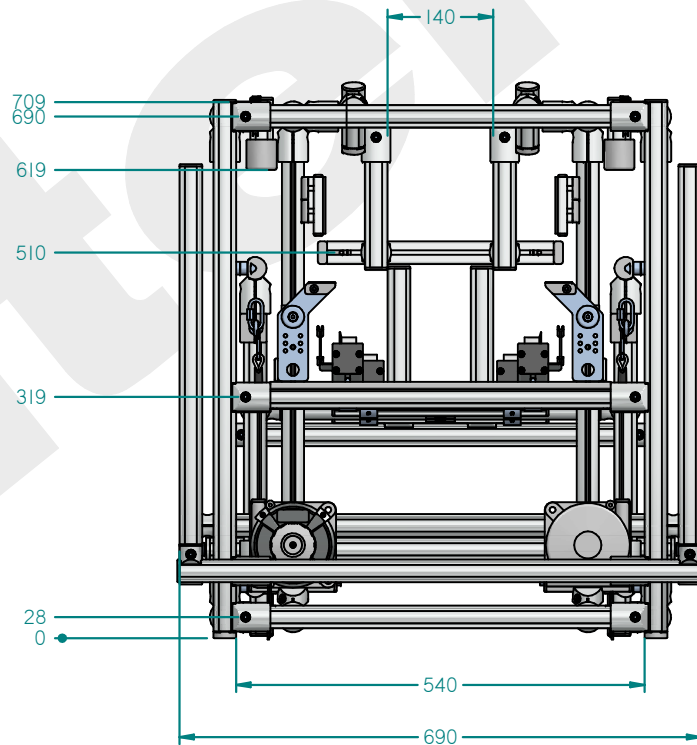
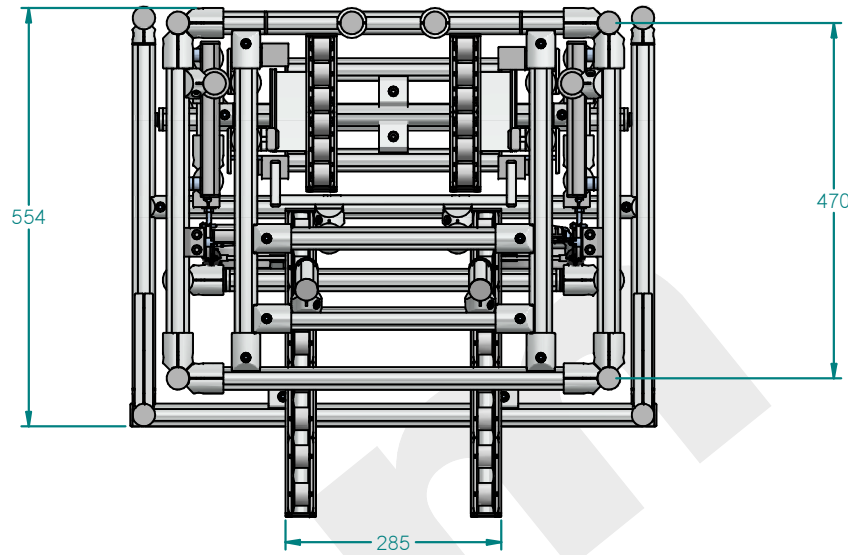


PROYECT NAME:
CS-00011205_KARAKURI STACKING.asm
DESIGN BY: EdderAcuñaMojat 3/05/2023
DRAWING BY: EdderAcuñaMojat 3/05/2023
CUSTOMER APPROVAL



CUSTOMER:
ITEM
DWG. NAME: CS-00011205_KARAKURI STACKING
SOLUTION: REV.:
Unless otherwise specified, all measures are in mm PAGE: 1



PROJECT NAME: CS-00011205_KARAKURI STACKING.asm	
DESIGN BY:	EdderAcuñaMojat 3/05/2023
DRAWING BY:	EdderAcuñaMojat 3/05/2023
CUSTOMER APPROVAL	

item
MEXICO

SystemSolid Edge 

CUSTOMER: ITEM	
DWG. NAME:	CS-00011205_KARAKURI STACKING
SOLUTION:	REV.:
Unless otherwise specified, all measures are in mm	
PAGE: 2	