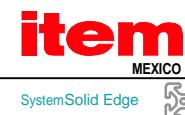
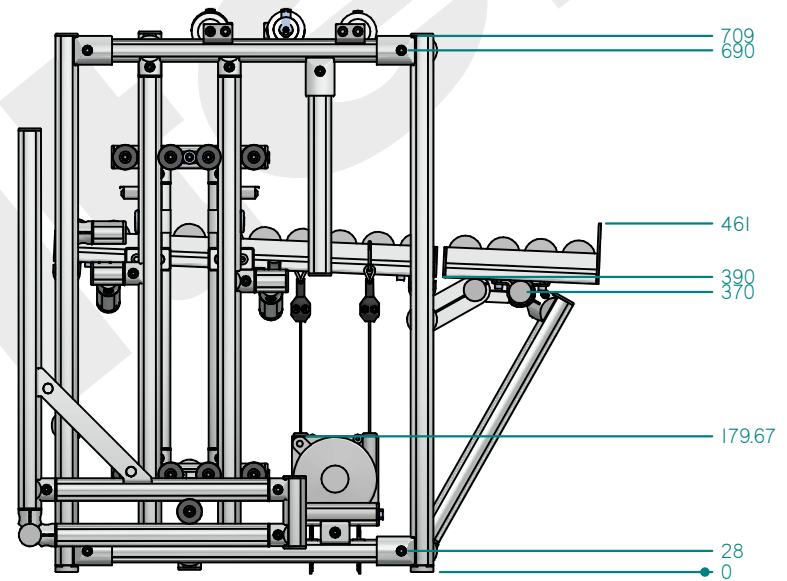
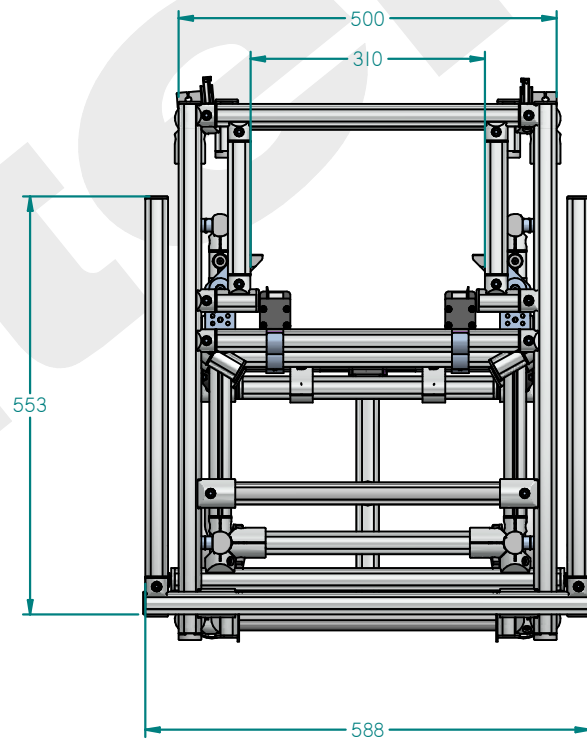
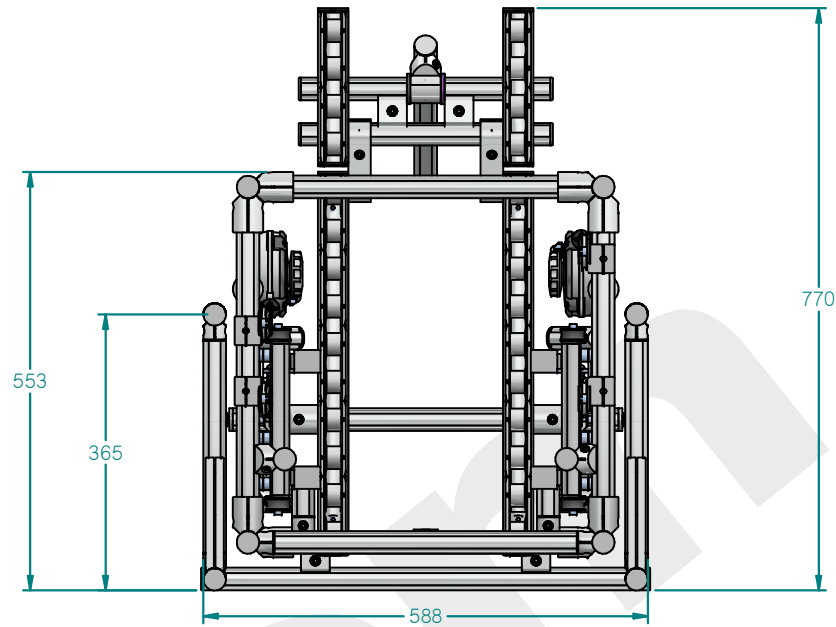


PROYECT NAME:
CS-00011206_KARAKURI USTAKING.asm
DESIGN BY: EdderAcuñaMojat 4/05/2023
DRAWING BY: EdderAcuñaMojat 4/05/2023
CUSTOMER APPROVAL



CUSTOMER:
ITEM
DWG. NAME: CS-00011206_KARAKURI USTAKING
SOLUTION: REV.:
Unless otherwise specified, all measures are in mm PAGE: 1



PROJECT NAME:	CS-00011206_KARAKURI USTAKING.asm	
DESIGN BY:	EdderAcuñaMora	4/05/2023
DRAWING BY:	EdderAcuñaMora	4/05/2023
CUSTOMER APPROVAL		



SystemSolid Edge

CUSTOMER:	ITEM	
DWG. NAME:	CS-00011206_KARAKURI USTAKING	
SOLUTION:		REV.:
Unless otherwise specified, all measures are in mm		PAGE: 2