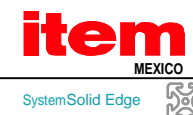
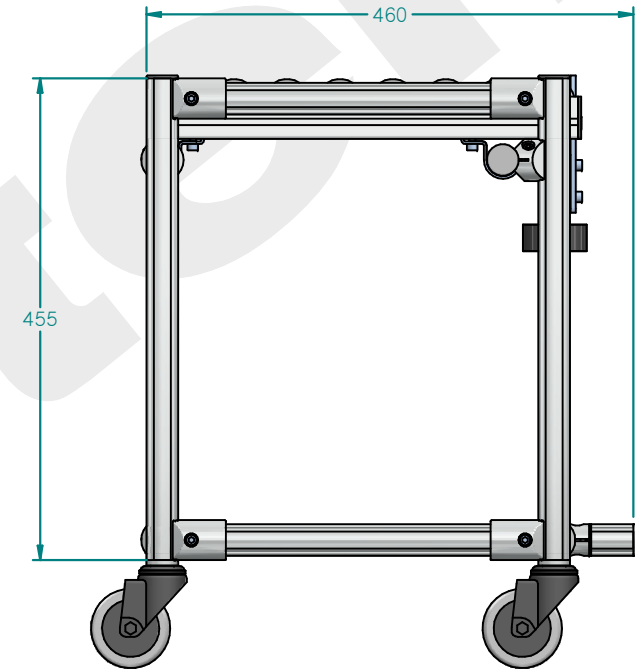
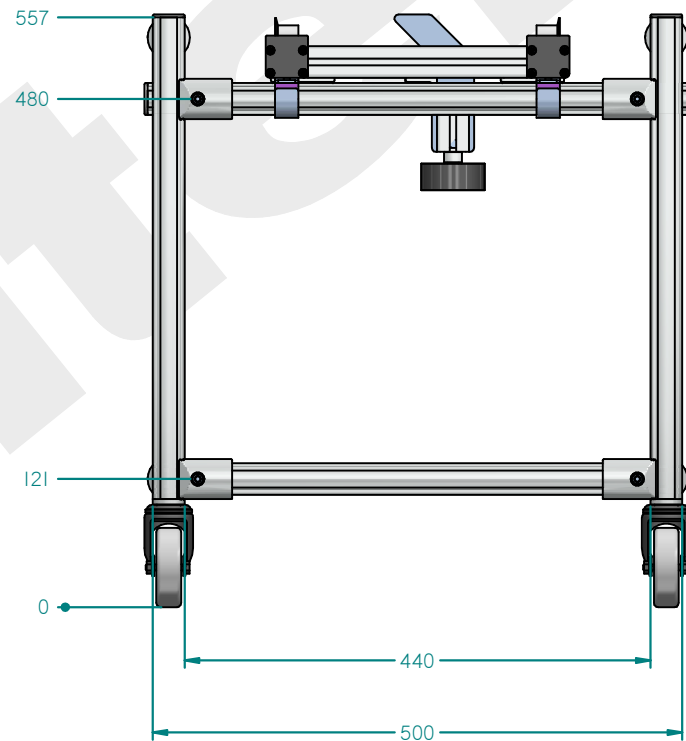
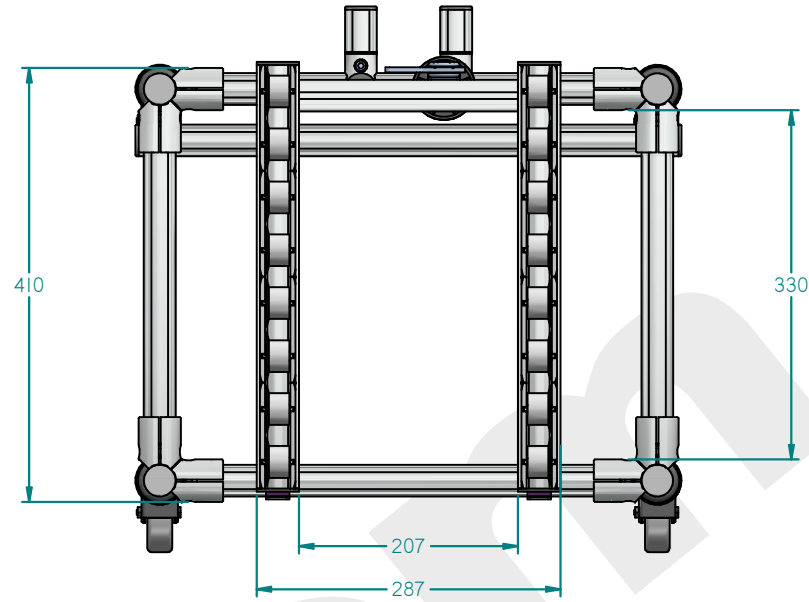


PROJECT NAME:  
 CS-00011207\_KARAKURI FRONTAL\_asm  
 DESIGN BY: EdderAcuñaMojal 7/05/2023  
 DRAWING BY: EdderAcuñaMojal 7/05/2023  
 CUSTOMER APPROVAL



|  |                               |
|--|-------------------------------|
| CUSTOMER:<br>ITEM                                  |                               |
| DWG. NAME:   | CS-00011207_KARAKURI FRONTAL_ |
| SOLUTION:  | REV.:                         |
| Unless otherwise specified, all measures are in mm |                               |
| PAGE: 1  |                               |

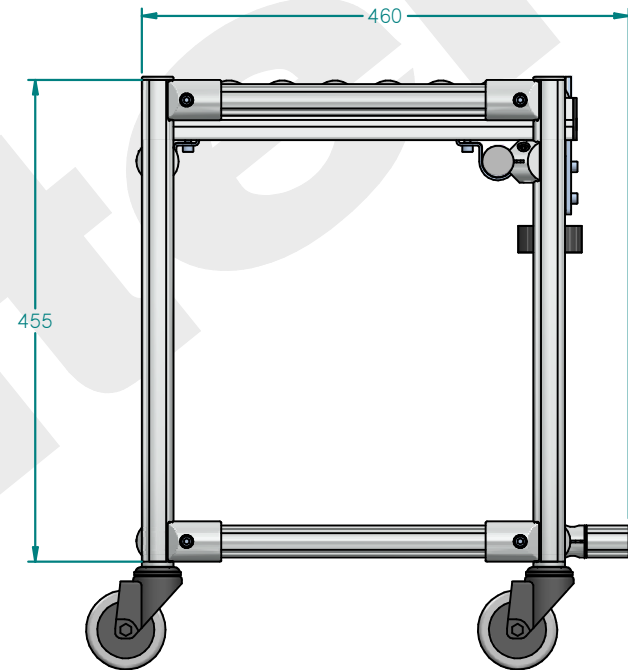
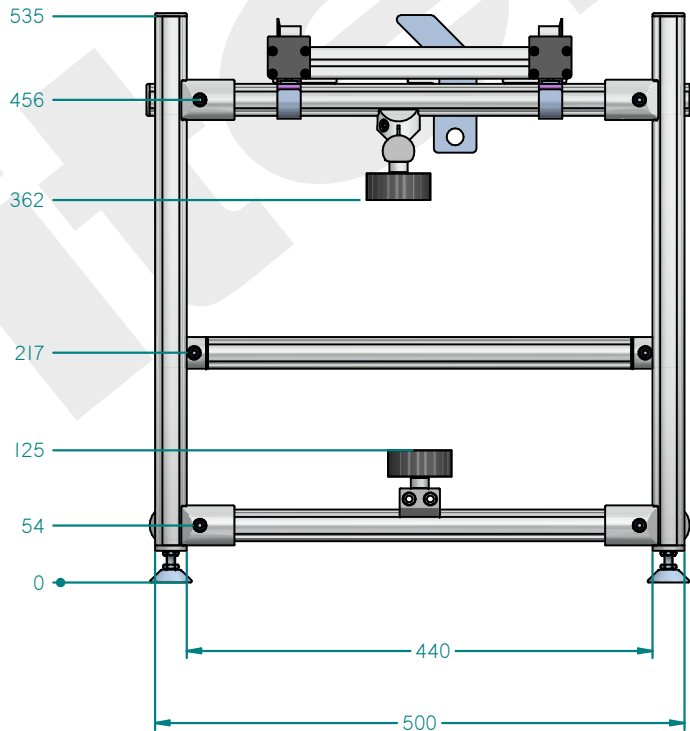
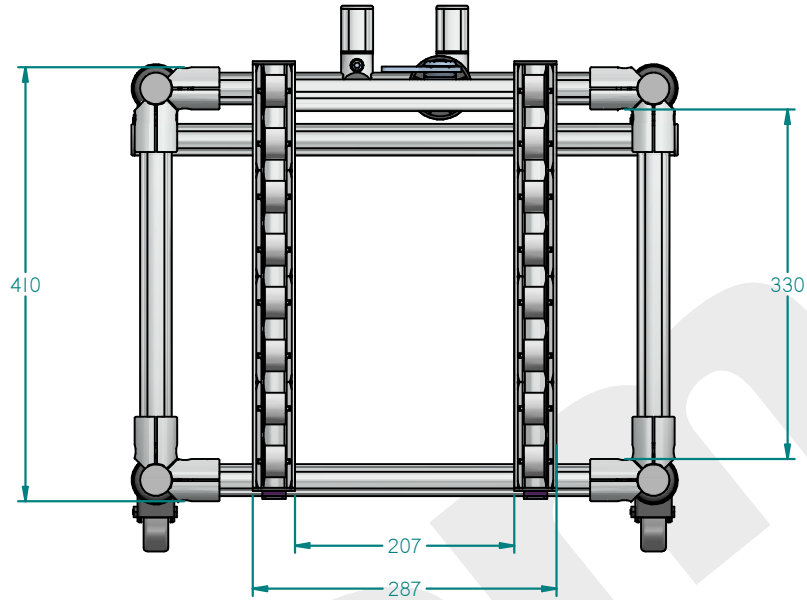


|                   |                                   |           |
|-------------------|-----------------------------------|-----------|
| PROYECT NAME:     | CS-00011207_KARAKURI FRONTAL_ asm |           |
| DESIGN BY:        | EdderAcuñaMojat                   | 7/05/2023 |
| DRAWING BY:       | EdderAcuñaMojat                   | 7/05/2023 |
| CUSTOMER APPROVAL |                                   |           |



SystemSolid Edge

|  |                               |         |
|--|-------------------------------|---------|
| CUSTOMER:  | ITEM                          |         |
| DWG. NAME:   | CS-00011207_KARAKURI FRONTAL_ |         |
| SOLUTION:  |                               | REV.:   |
| Unless otherwise specified, all measures are in mm |                               | PAGE: 2 |



|  |                           |
|--|---------------------------|
| PROYECT NAME:<br>CS-00011207_KARAKURI FRONTAL_ asm |                           |
| DESIGN BY:   | EdderAcuñaMojal 7/05/2023 |
| DRAWING BY:  | EdderAcuñaMojal 7/05/2023 |
| CUSTOMER APPROVAL                                  |                           |

**item**  
MEXICO

SystemSolid Edge 

|  |                               |
|--|-------------------------------|
| CUSTOMER:<br>ITEM                                  |                               |
| DWG. NAME:   | CS-00011207_KARAKURI FRONTAL_ |
| SOLUTION:  | REV.:                         |
| Unless otherwise specified, all measures are in mm |                               |
| PAGE: 3  |                               |