

MOBILE RACK

FIX RACK

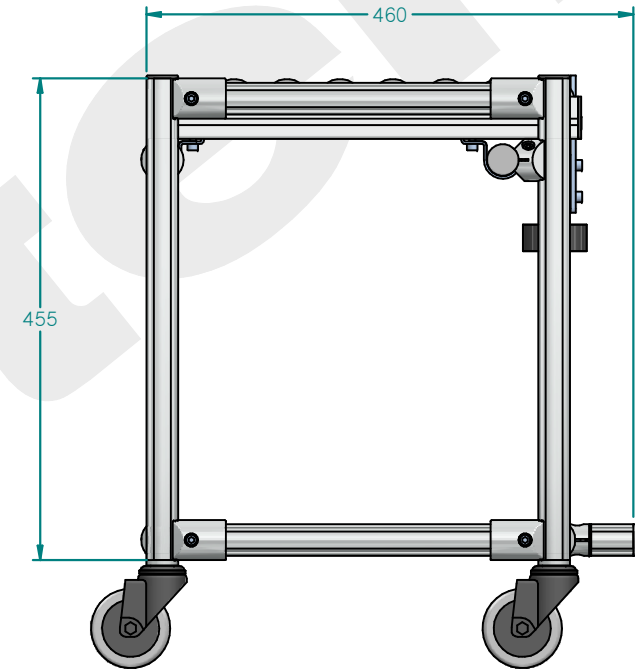
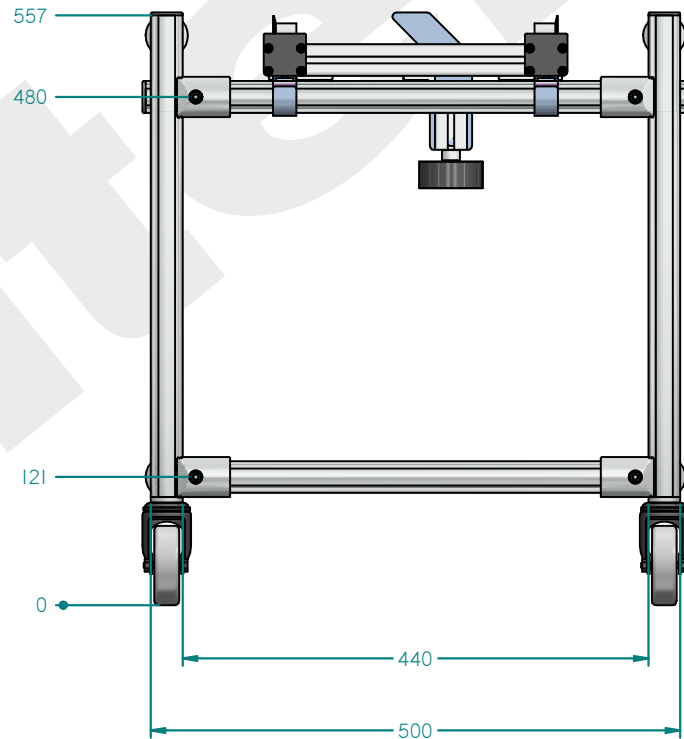
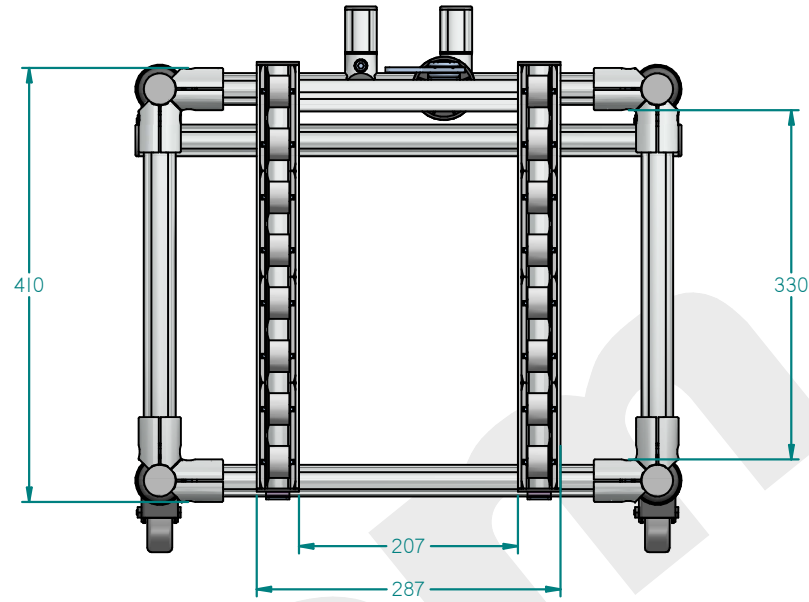
PROJECT NAME:	CS-00011207_KARAKURI FRONTAL_asm	
DESIGN BY:	EdderAcuñaMojal	7/05/2023
DRAWING BY:	EdderAcuñaMojal	7/05/2023
CUSTOMER APPROVAL		



SystemSolid Edge

CUSTOMER:	ITEM	
DWG. NAME:	CS-00011207_KARAKURI FRONTAL_DRAFT	
SOLUTION:		REV.:
Unless otherwise specified, all measures are in mm		PAGE: 1

GENERAL VIEWS I MOBILE RACK



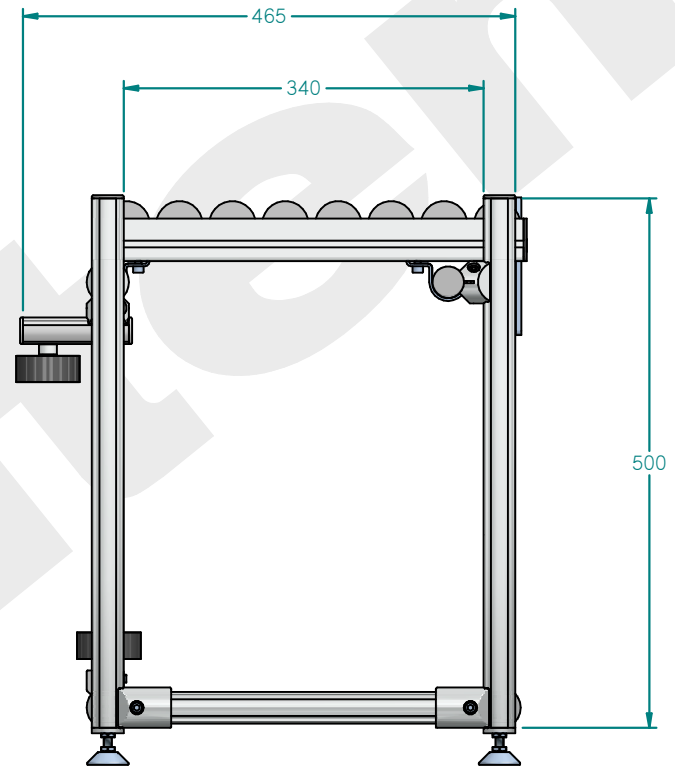
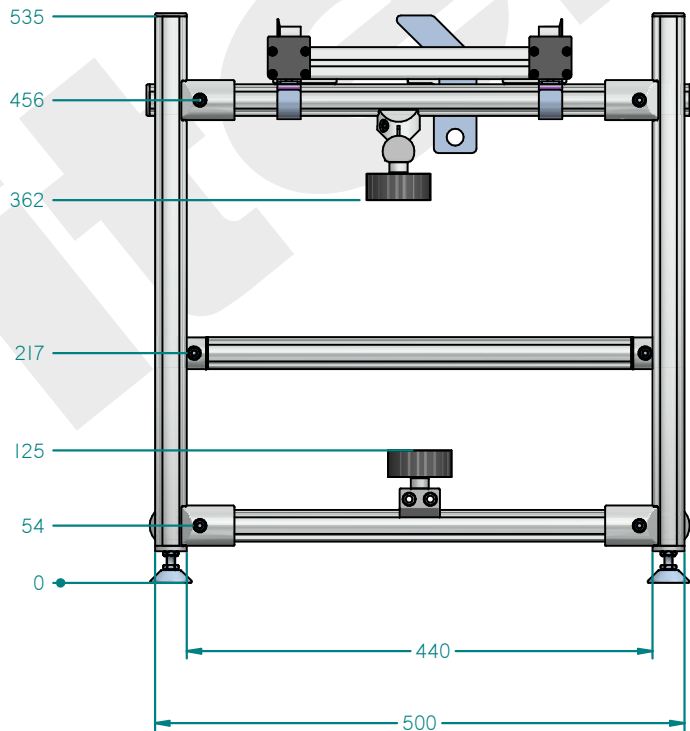
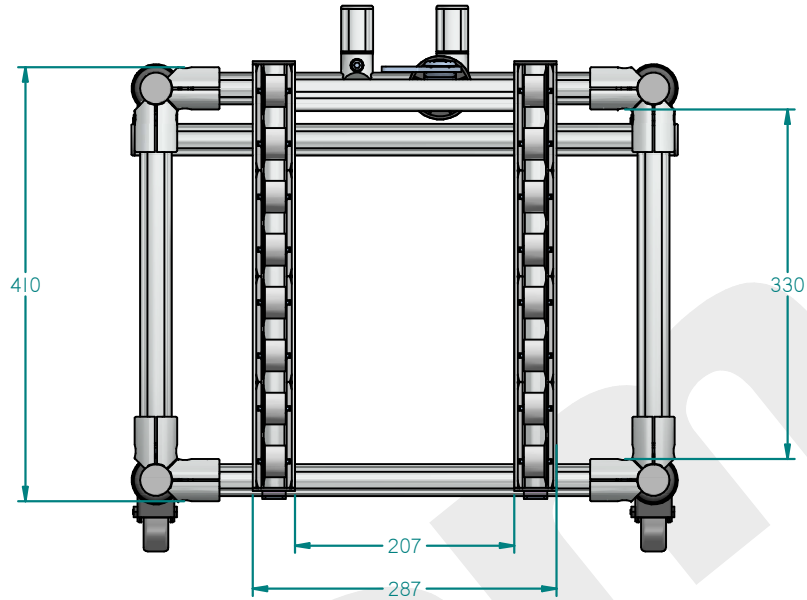
PROYECT NAME: CS-00011207_KARAKURI FRONTAL_ asm	
DESIGN BY:	EdderAcuñaMojat 7/05/2023
DRAWING BY:	EdderAcuñaMojat 7/05/2023
CUSTOMER APPROVAL	

item
MEXICO

SystemSolid Edge

CUSTOMER: ITEM	
DWG. NAME:	CS-00011207_KARAKURI FRONTAL_ DRAFT
SOLUTION:	REV.:
Unless otherwise specified, all measures are in mm	
PAGE: 2	

GENERAL VIEWS I FIX RACK



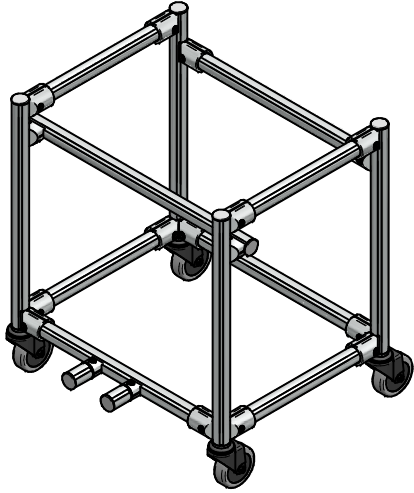
PROJECT NAME:	CS-00011207_KARAKURI FRONTAL_ asm
DESIGN BY:	EdderAcuñaMoral 7/05/2023
DRAWING BY:	EdderAcuñaMoral 7/05/2023
CUSTOMER APPROVAL	



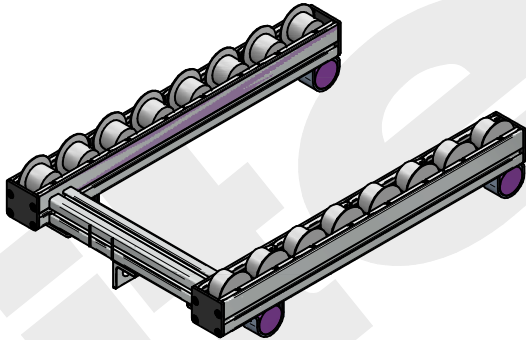
SystemSolid Edge

CUSTOMER:	ITEM
DWG. NAME:	CS-00011207_KARAKURI FRONTAL_ DRAFT
SOLUTION:	
REV.:	
Unless otherwise specified, all measures are in mm	
PAGE:	3

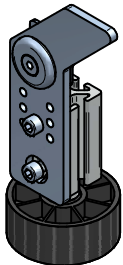
GENERAL SUB-ASSEMBLIES | MOBILE RACK



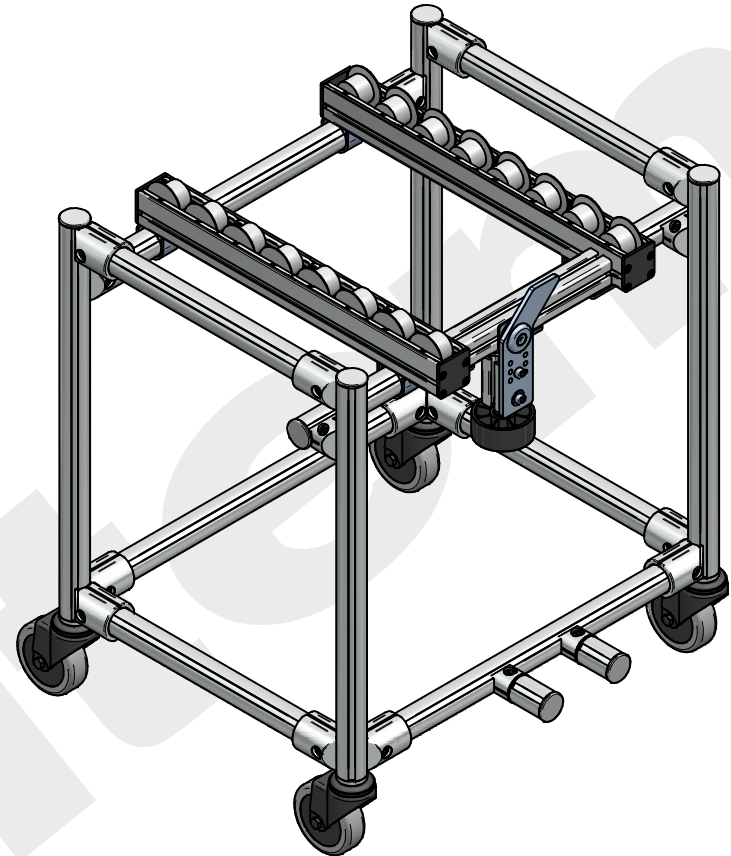
1
FRAME



2
CONVEYOR



3
END STOP



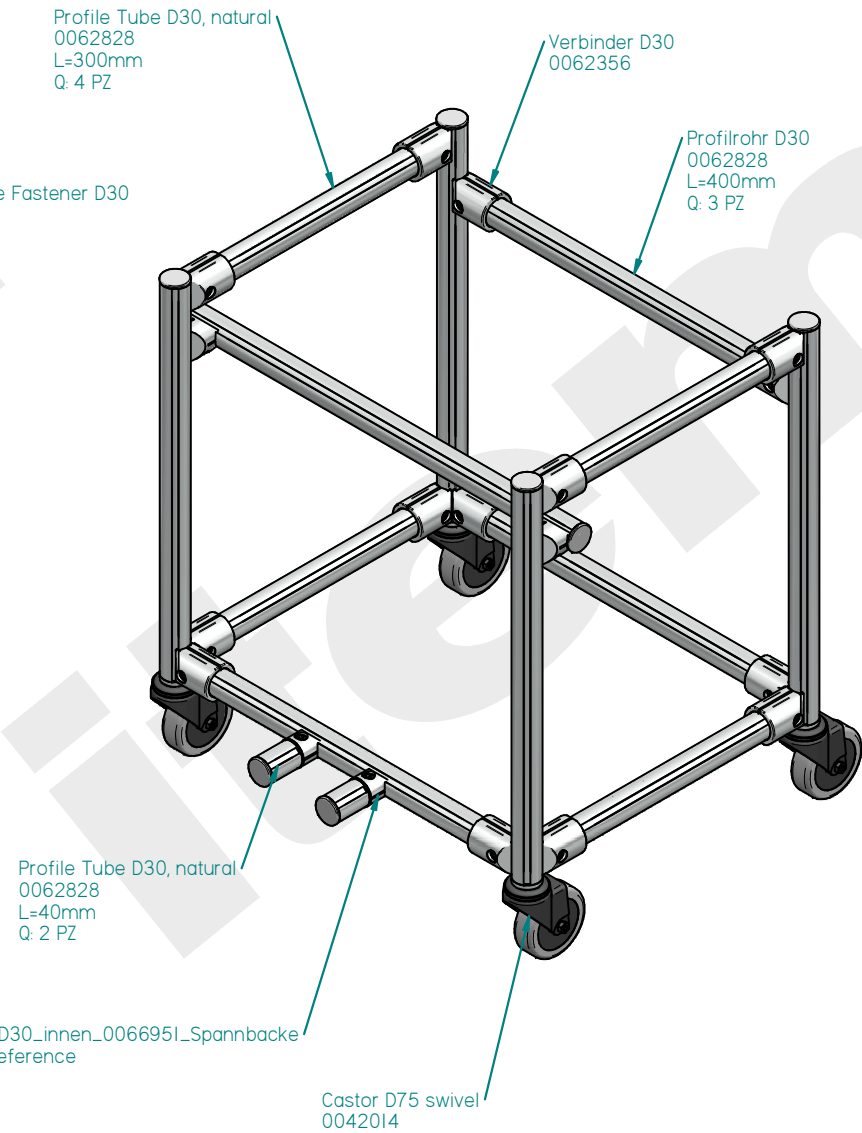
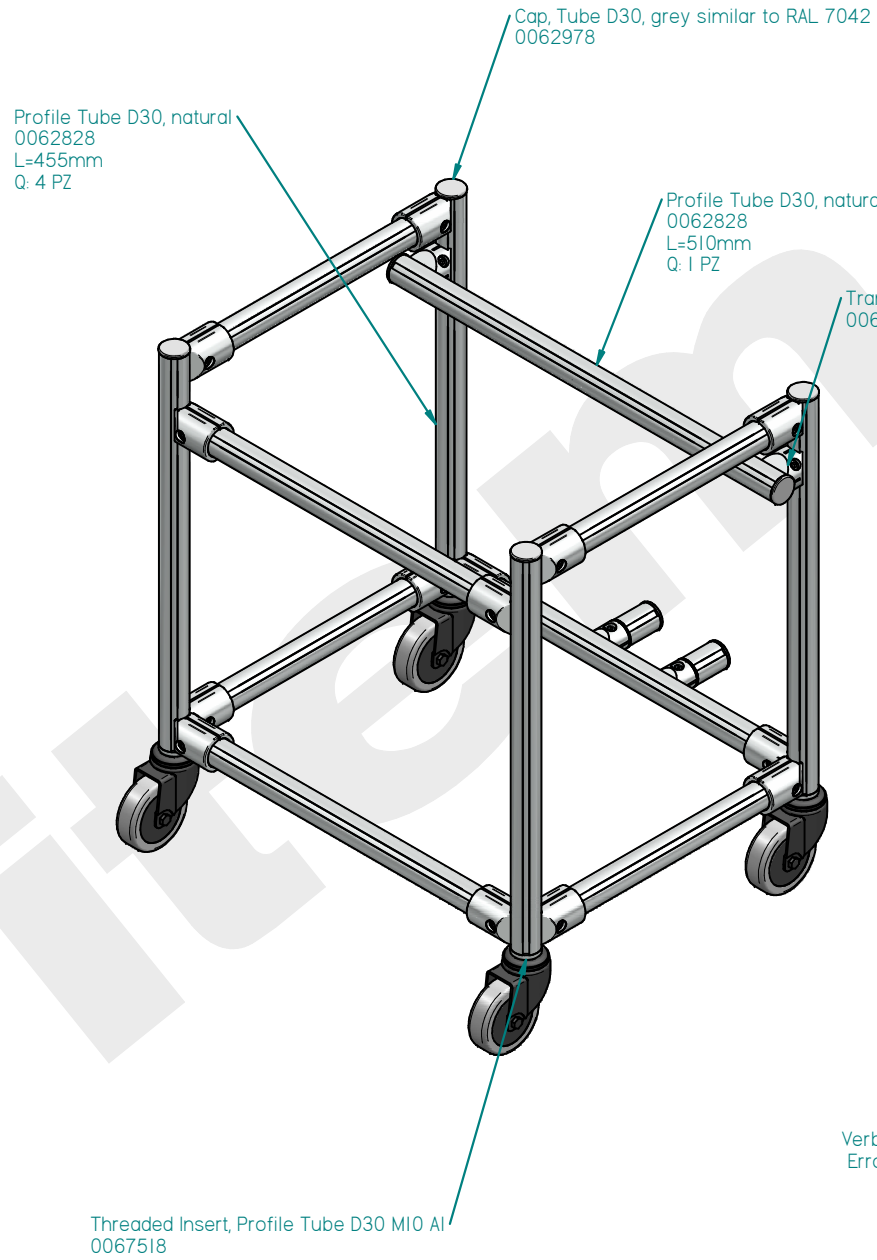
PROJECT NAME:	CS-00011207_KARAKURI FRONTAL_asm	
DESIGN BY:	EdderAcuñaMora	7/05/2023
DRAWING BY:	EdderAcuñaMora	7/05/2023
CUSTOMER APPROVAL		



SystemSolid Edge

CUSTOMER:	ITEM	
DWG. NAME:	CS-00011207_KARAKURI FRONTAL_DRAFT	
SOLUTION:		REV.:
Unless otherwise specified, all measures are in mm		PAGE: 4

1 FRAME | PARTS | MOBILE RACK



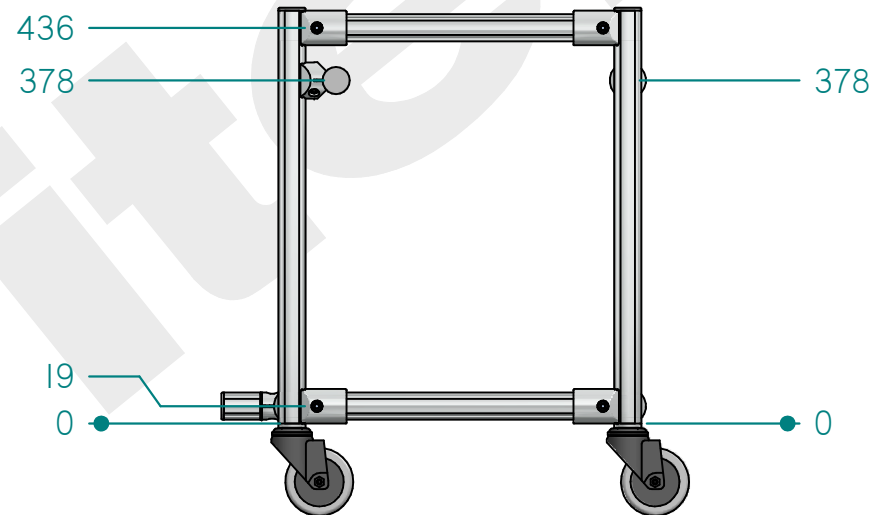
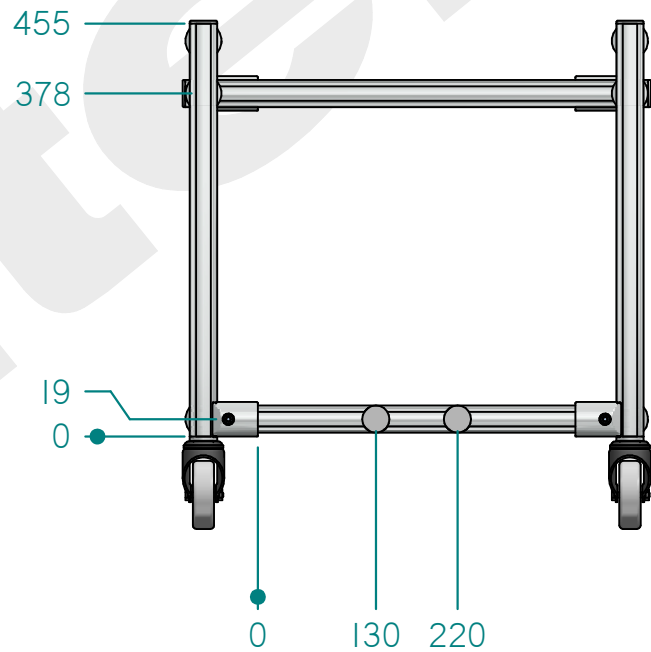
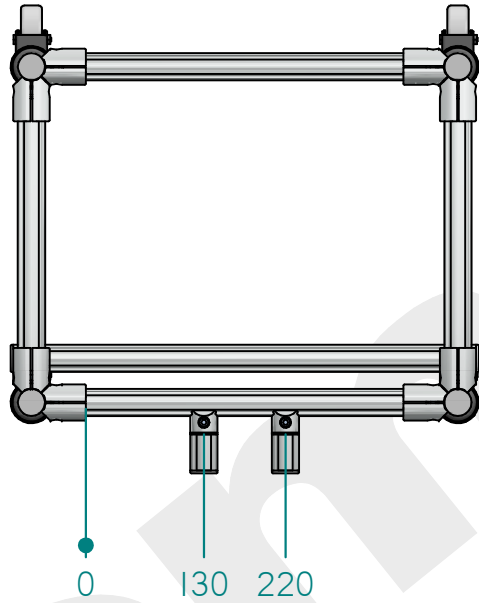
PROJECT NAME:	CS-00011207_KARAKURI FRONTAL_asm
DESIGN BY:	EdderAcuñaMojal 7/05/2023
DRAWING BY:	EdderAcuñaMojal 7/05/2023
CUSTOMER APPROVAL	



SystemSolid Edge

CUSTOMER:	ITEM	
DWG. NAME:	CS-00011207_KARAKURI FRONTAL_DRAFT	
SOLUTION:		REV.:
Unless otherwise specified, all measures are in mm		
		PAGE: 5

1 FRAME I MOBILE RACK



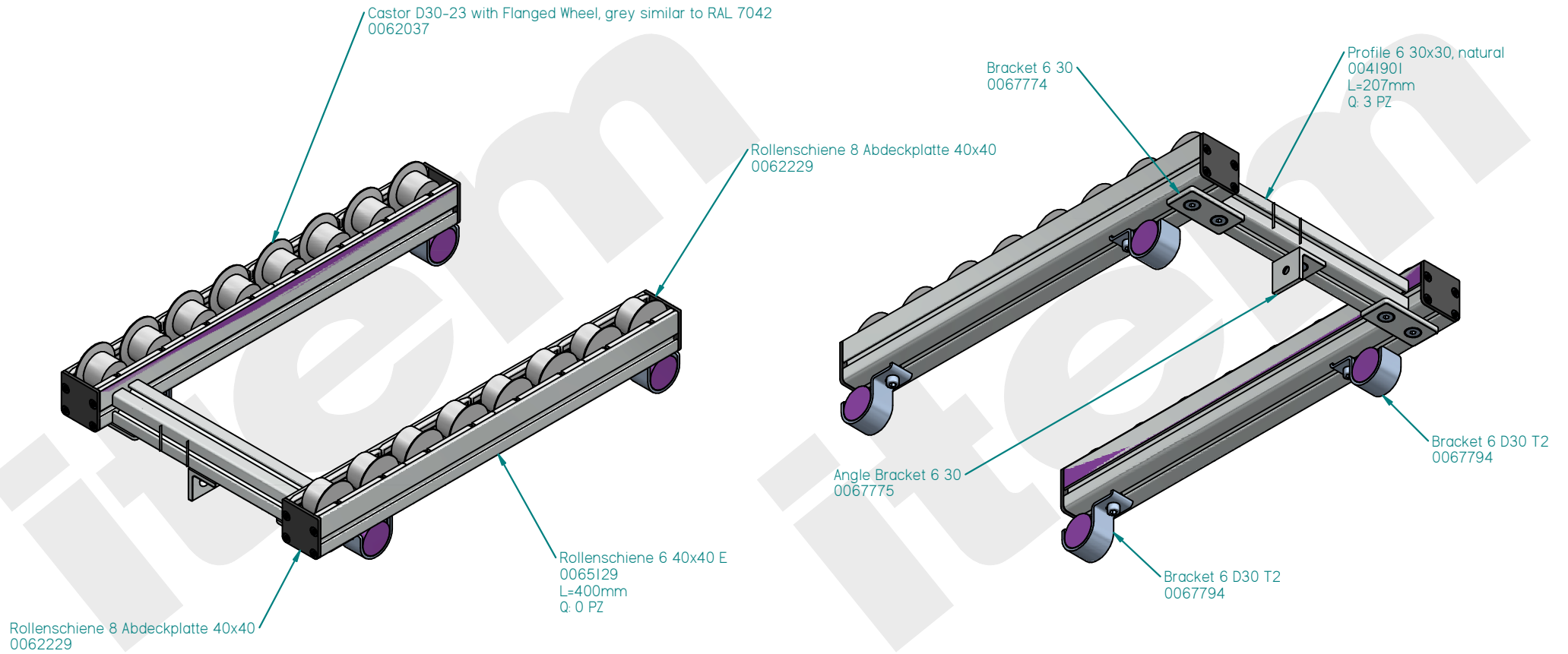
PROYECT NAME:	CS-00011207_KARAKURI FRONTAL_ asm	
DESIGN BY:	EdderAcuñaMojat	7/05/2023
DRAWING BY:	EdderAcuñaMojat	7/05/2023
CUSTOMER APPROVAL		



SystemSolid Edge

CUSTOMER:	ITEM	
DWG. NAME:	CS-00011207_KARAKURI FRONTAL_ DRAFT	
SOLUTION:		REV.:
Unless otherwise specified, all measures are in mm		PAGE: 6

2 CONVEYOR | PARTS | MOBILE RACK



PROYECT NAME:	CS-00011207_KARAKURI FRONTAL_ asm
DESIGN BY:	EdderAcuñaMojat 7/05/2023
DRAWING BY:	EdderAcuñaMojat 7/05/2023
CUSTOMER APPROVAL	

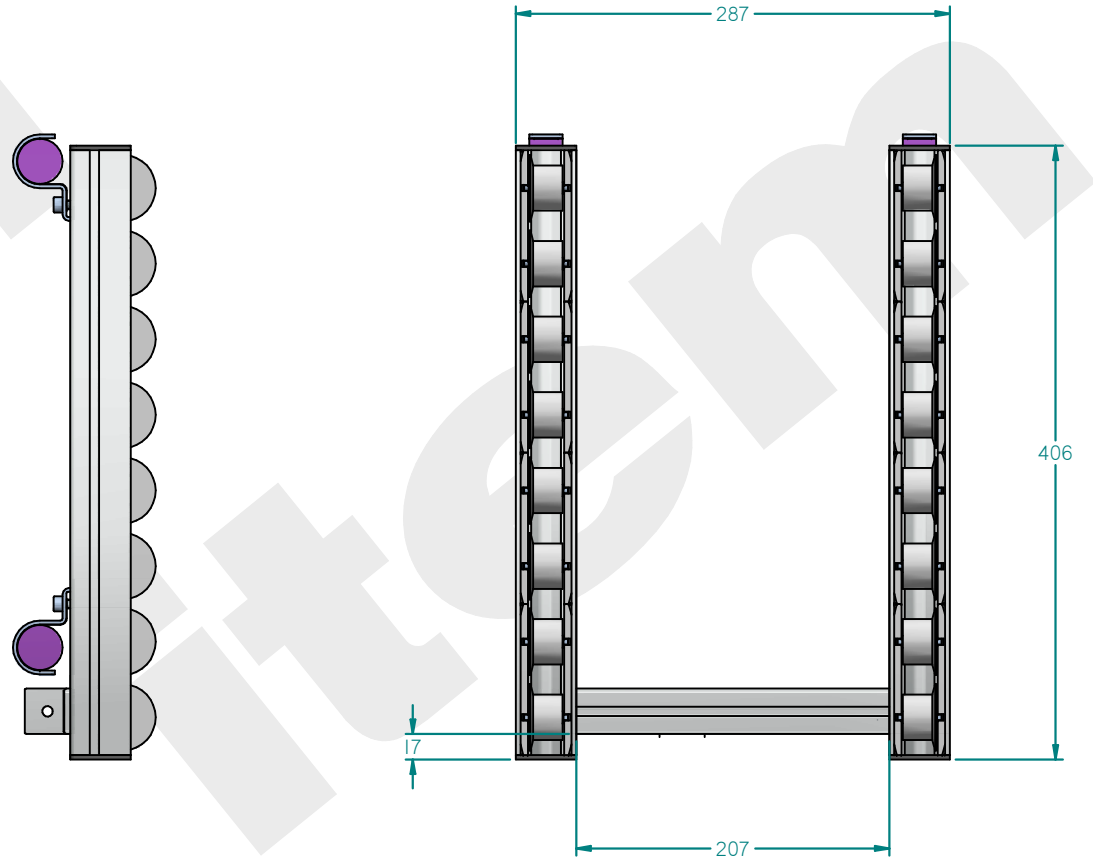
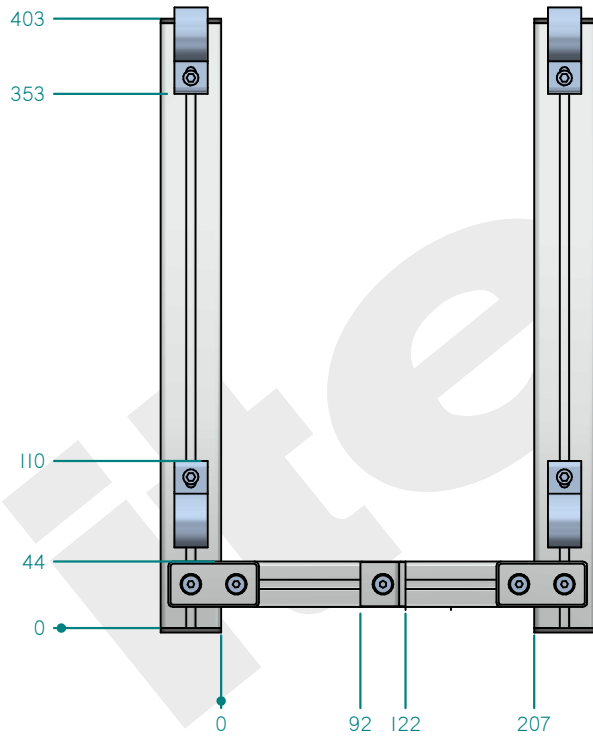
item
MEXICO

SystemSolid Edge



CUSTOMER:	ITEM	
DWG. NAME:	CS-00011207_KARAKURI FRONTAL_DRAFT	
SOLUTION:		REV.:
Unless otherwise specified, all measures are in mm		PAGE: 7

2 CONVEYOR | MOBILE RACK



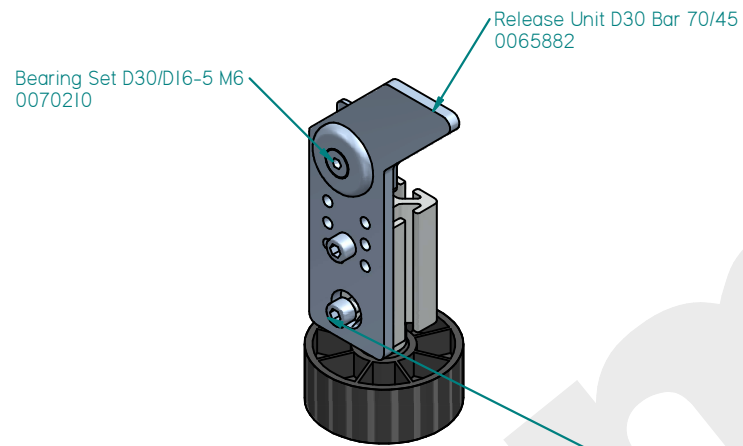
PROYECT NAME:	CS-00011207_KARAKURI FRONTAL_ asm	
DESIGN BY:	EdderAcuñaMojal	7/05/2023
DRAWING BY:	EdderAcuñaMojal	7/05/2023
CUSTOMER APPROVAL		

item
MEXICO

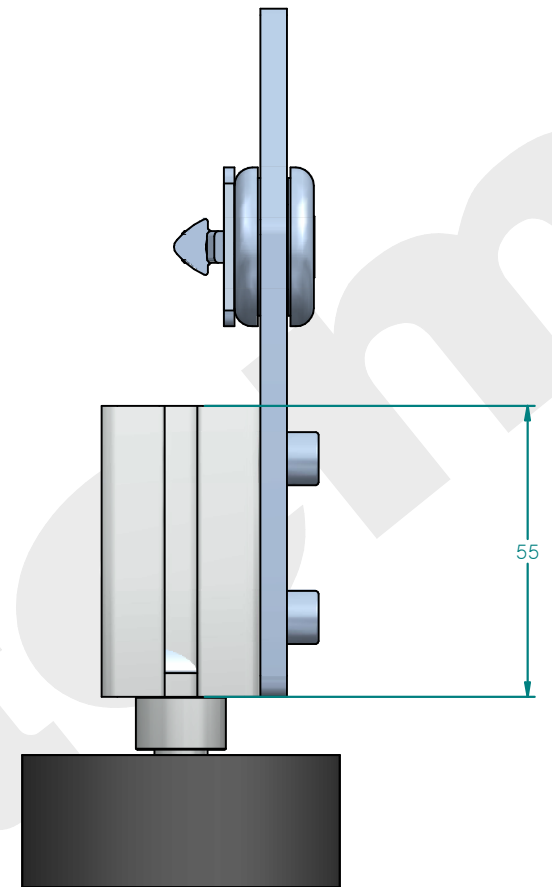
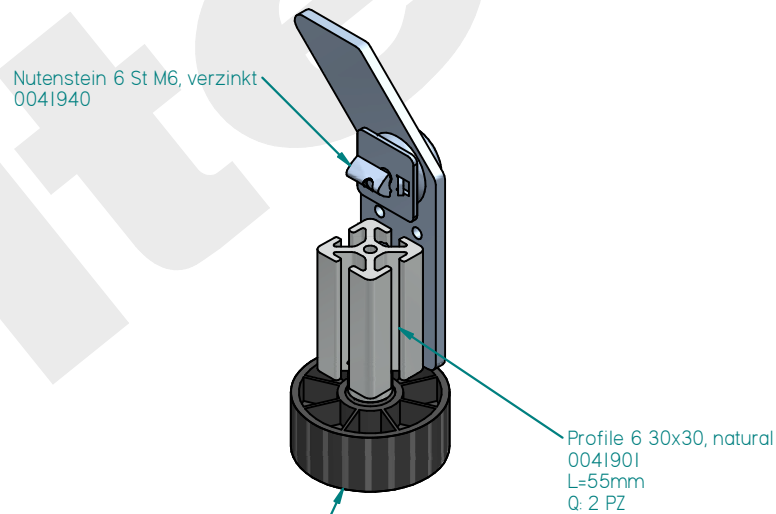
SystemSolid Edge 

CUSTOMER:	ITEM	
DWG. NAME:	CS-00011207_KARAKURI FRONTAL_ DRAFT	
SOLUTION:		REV.:
Unless otherwise specified, all measures are in mm		PAGE: 8

3 END STOP | PARTS | MOBILE RACK



Hexagon Socket Head Cap Screw DIN 912 M6x16, bright zinc-plated
0065509



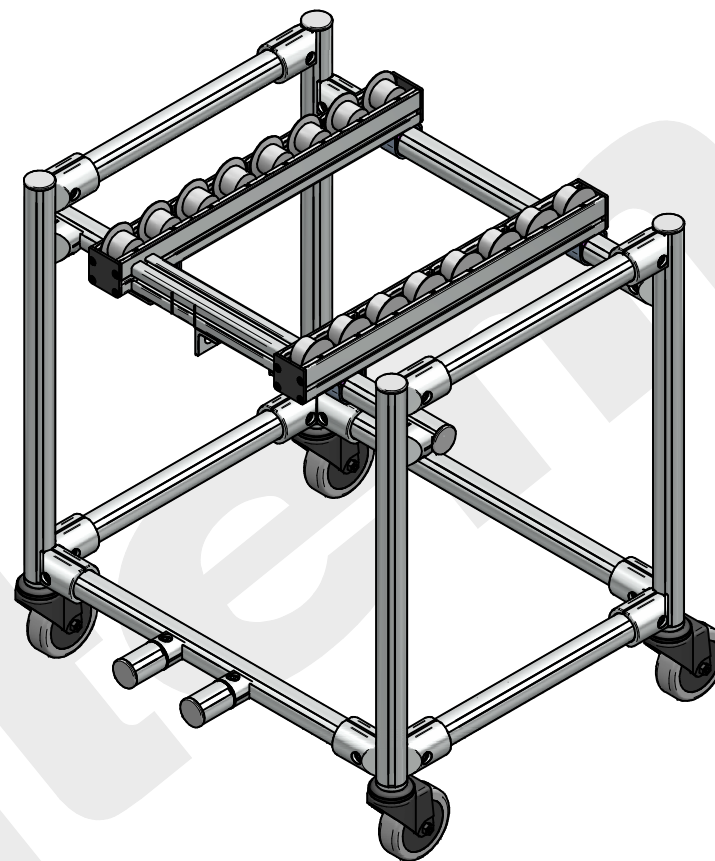
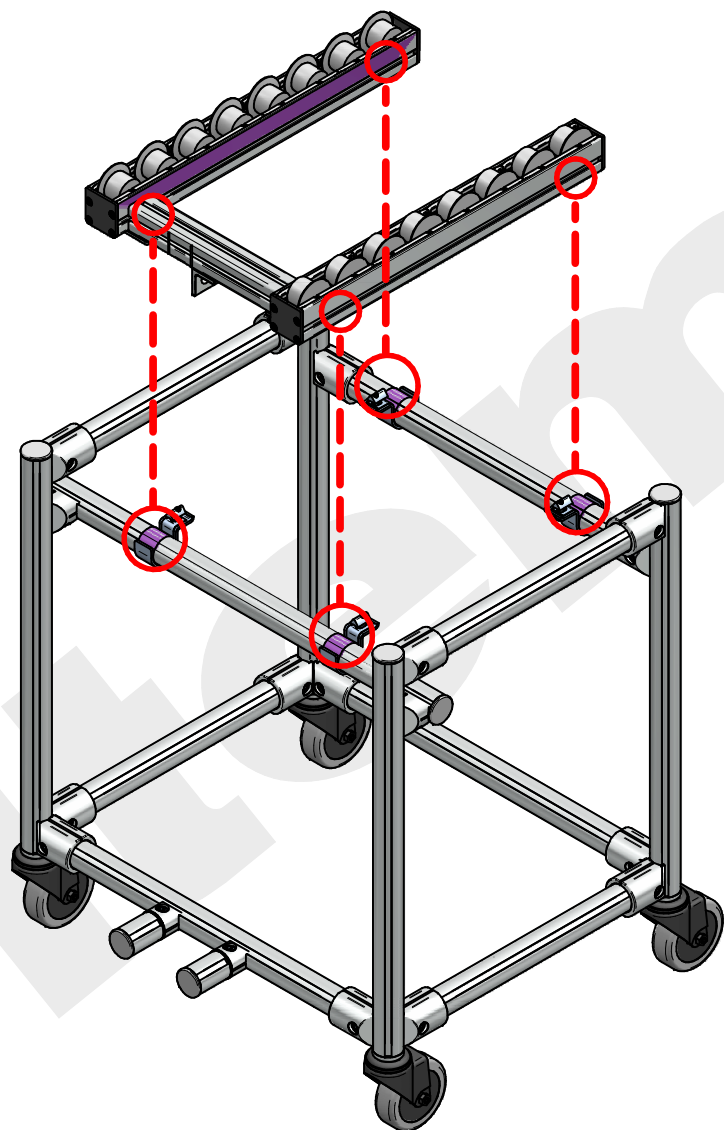
PROJECT NAME: CS-00011207_KARAKURI FRONTAL_ asm	
DESIGN BY:	EdderAcuñaMoral 7/05/2023
DRAWING BY:	EdderAcuñaMoral 7/05/2023
CUSTOMER APPROVAL	

item
MEXICO

SystemSolid Edge 

CUSTOMER: ITEM	
DWG. NAME:	CS-00011207_KARAKURI FRONTAL_ DRAFT
SOLUTION:	REV.:
Unless otherwise specified, all measures are in mm	
PAGE: 9	

ASSEMBLY | STEP 1 | MOBILE RACK



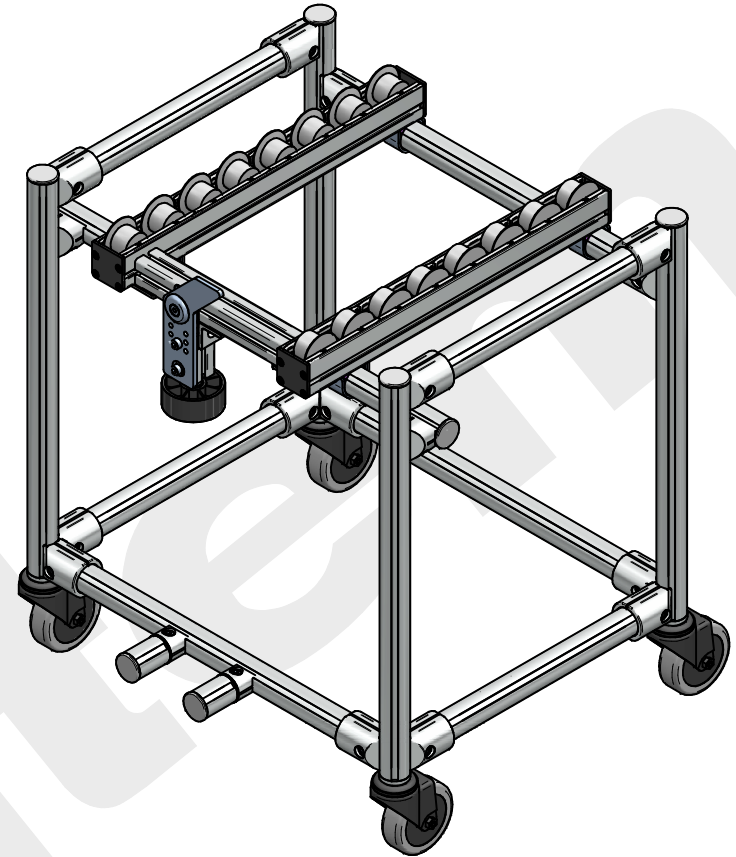
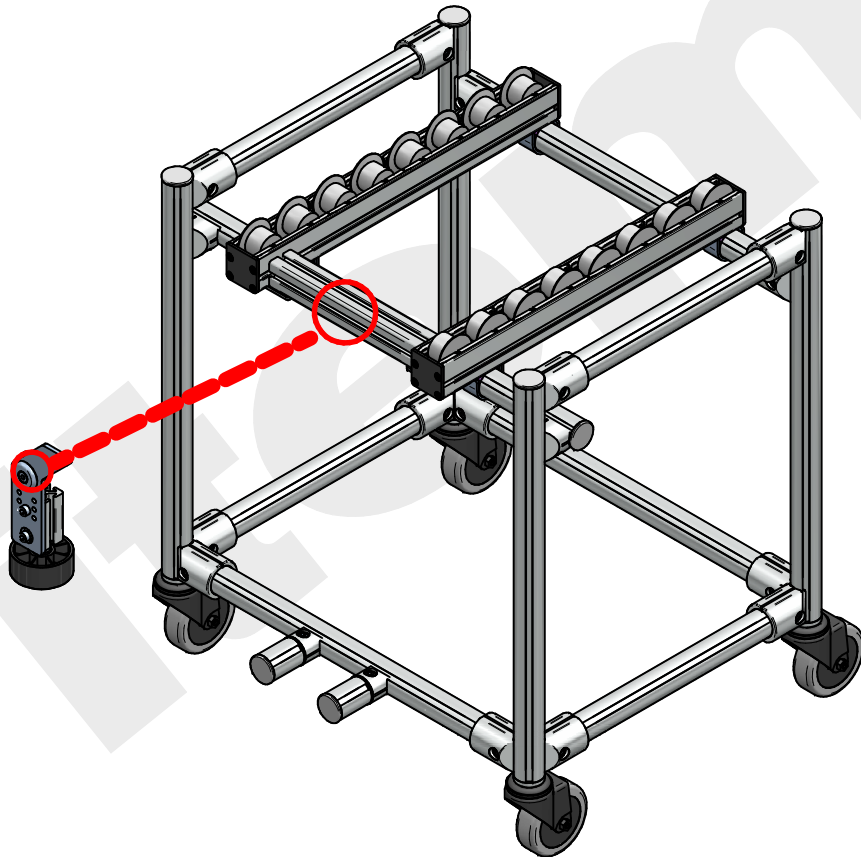
PROYECT NAME:	CS-00011207_KARAKURI FRONTAL_ asm	
DESIGN BY:	EdderAcuñaMojat	7/05/2023
DRAWING BY:	EdderAcuñaMojat	7/05/2023
CUSTOMER APPROVAL		



SystemSolid Edge

CUSTOMER:	ITEM	
DWG. NAME:	CS-00011207_KARAKURI FRONTAL_ DRAFT	
SOLUTION:		REV.:
Unless otherwise specified, all measures are in mm		PAGE: 10

ASSEMBLY | STEP 2 | MOBILE RACK



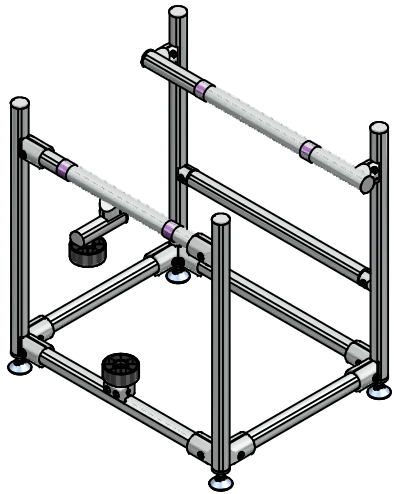
PROJECT NAME: CS-00011207_KARAKURI FRONTAL_asm	
DESIGN BY:	EdderAcuñaMojal 7/05/2023
DRAWING BY:	EdderAcuñaMojal 7/05/2023
CUSTOMER APPROVAL	



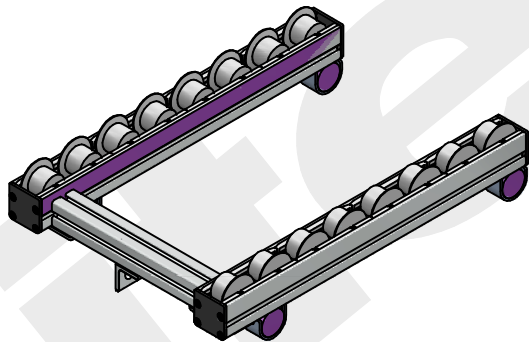
SystemSolid Edge

CUSTOMER: ITEM	
DWG. NAME:	CS-00011207_KARAKURI FRONTAL_DRAFT
SOLUTION:	REV.:
Unless otherwise specified, all measures are in mm	
PAGE: 11	

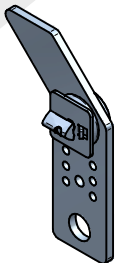
GENERAL SUB-ASSEMBLIES I FIX RACK



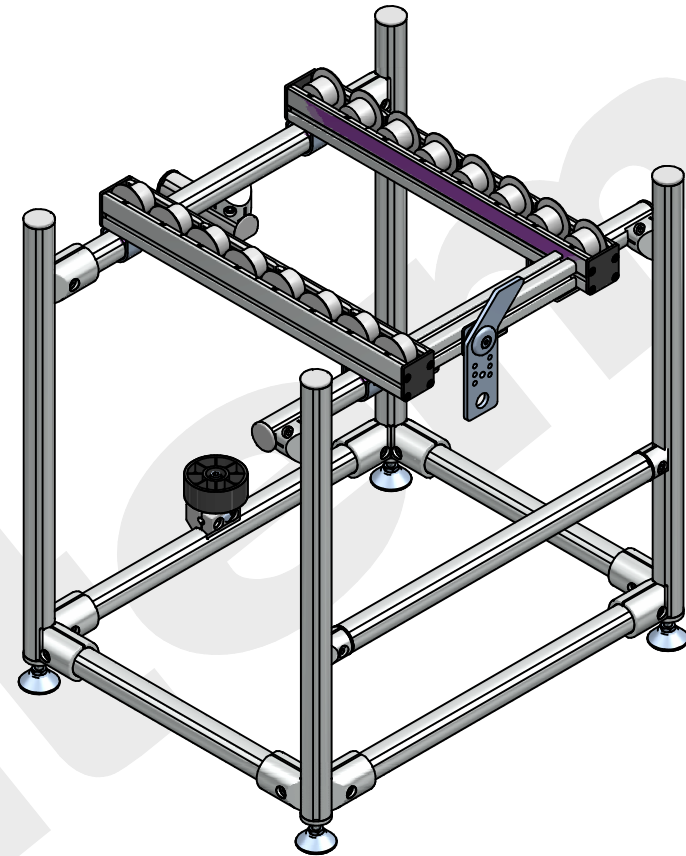
1
FRAME



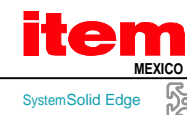
2
CONVEYOR



3
END STOP

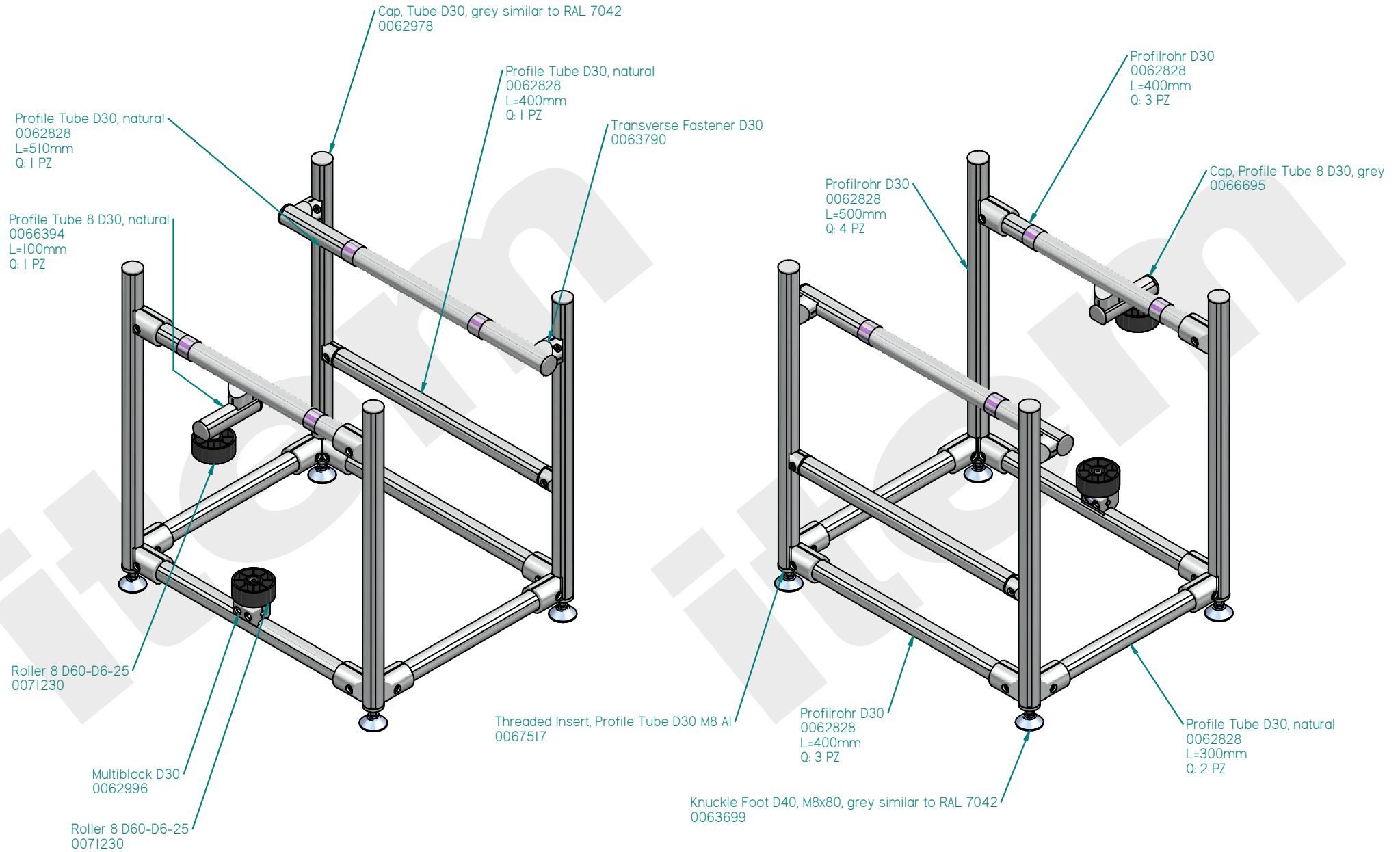


PROYECT NAME:	CS-00011207_KARAKURI FRONTAL_ asm	
DESIGN BY:	EdderAcuñaMojal	7/05/2023
DRAWING BY:	EdderAcuñaMojal	7/05/2023
CUSTOMER APPROVAL		



CUSTOMER:	ITEM	
DWG. NAME:	CS-00011207_KARAKURI FRONTAL_ DRAFT	
SOLUTION:		REV.:
Unless otherwise specified, all measures are in mm		PAGE: 12

1 FRAME | PARTS | FIX RACK



PROJECT NAME:	CS-00011207_KARAKURI FRONTAL_ asm
DESIGN BY:	EdderAcuñaMojal 7/05/2023
DRAWING BY:	EdderAcuñaMojal 7/05/2023
CUSTOMER APPROVAL	

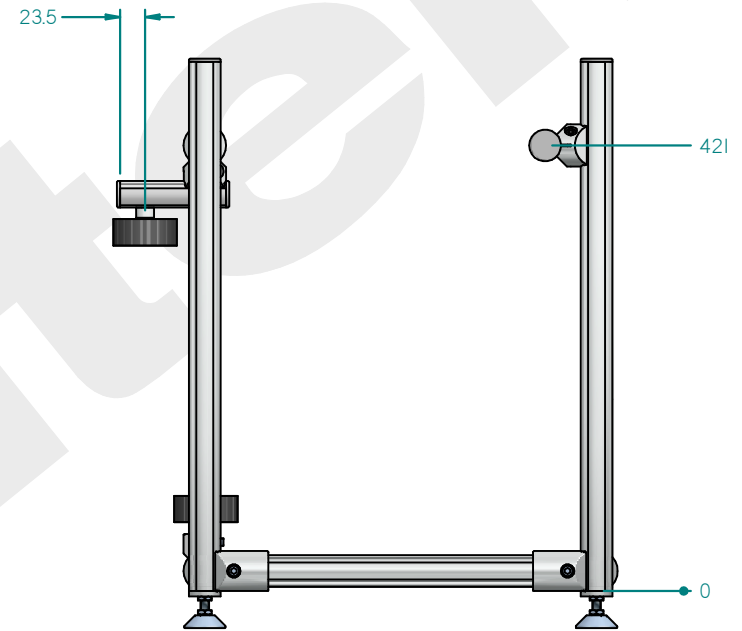
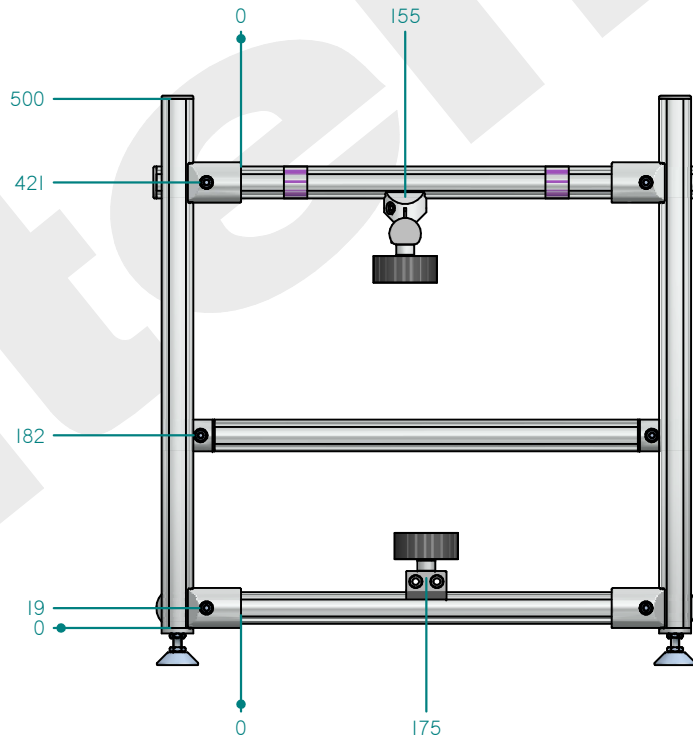
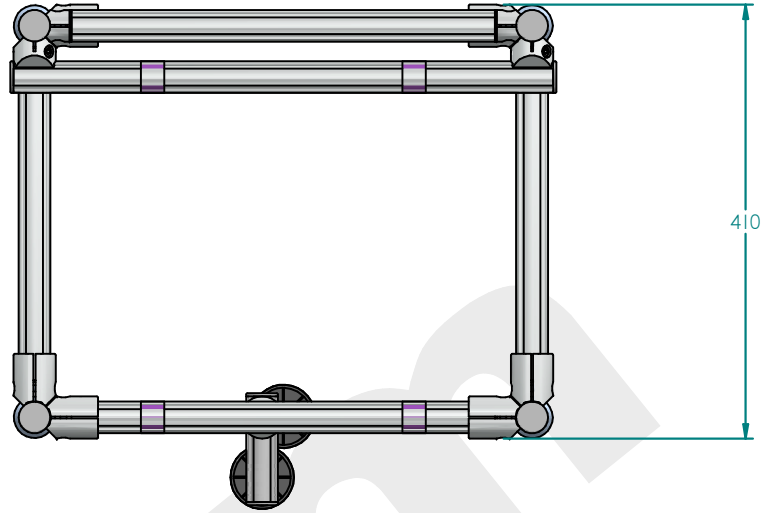
item
MEXICO

SystemSolid Edge

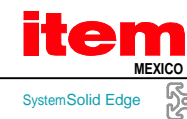


CUSTOMER:	ITEM	
DWG. NAME:	CS-00011207_KARAKURI FRONTAL_DRAFT	
SOLUTION:		REV.:
Unless otherwise specified, all measures are in mm		PAGE: 13

1 FRAME I FIX RACK



PROYECT NAME:	CS-00011207_KARAKURI FRONTAL_ asm	
DESIGN BY:	EdderAcuñaMojat	7/05/2023
DRAWING BY:	EdderAcuñaMojat	7/05/2023
CUSTOMER APPROVAL		



CUSTOMER:	ITEM	
DWG. NAME:	CS-00011207_KARAKURI FRONTAL_ DRAFT	
SOLUTION:		REV.:
Unless otherwise specified, all measures are in mm		PAGE: 14

2 CONVEYOR | PARTS | FIX RACK

Castor D30-23 with Flanged Wheel, grey similar to RAL 7042
0062037

Rollenschiene 8 Abdeckplatte 40x40
0062229

Profile 6 30x30, natural
0041901
L=207mm
Q. 3 PZ

Rollenschiene 8 Abdeckplatte 40x40
0062229

Rollenschiene 6 40x40 E
0065129
L=400mm
Q. 0 PZ

Bracket 6 30
0067774

Angle Bracket 6 30
0067775

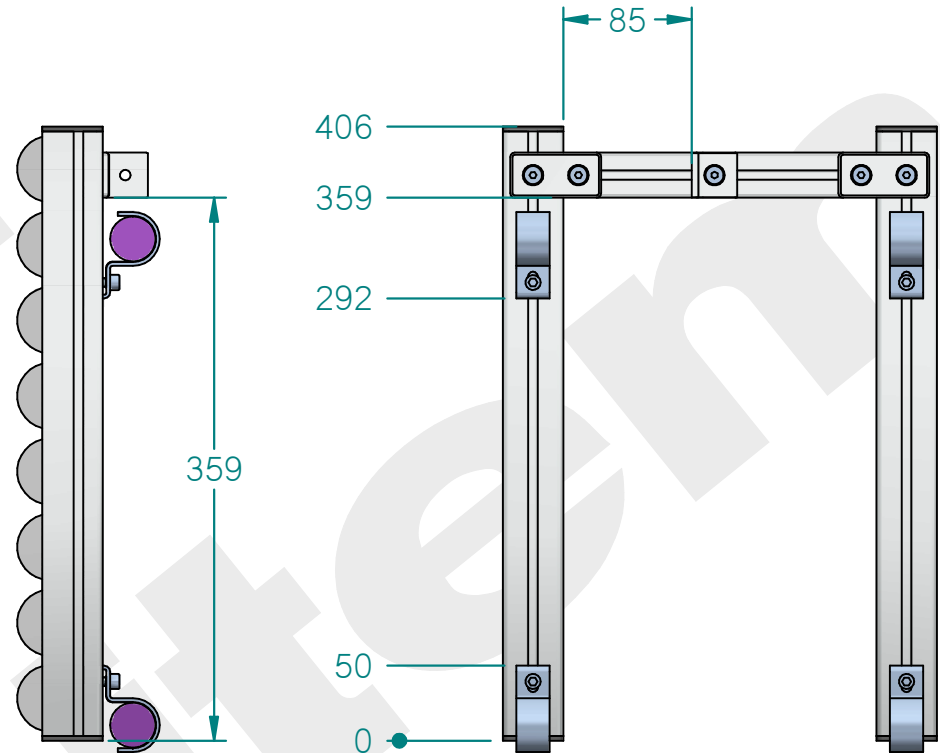
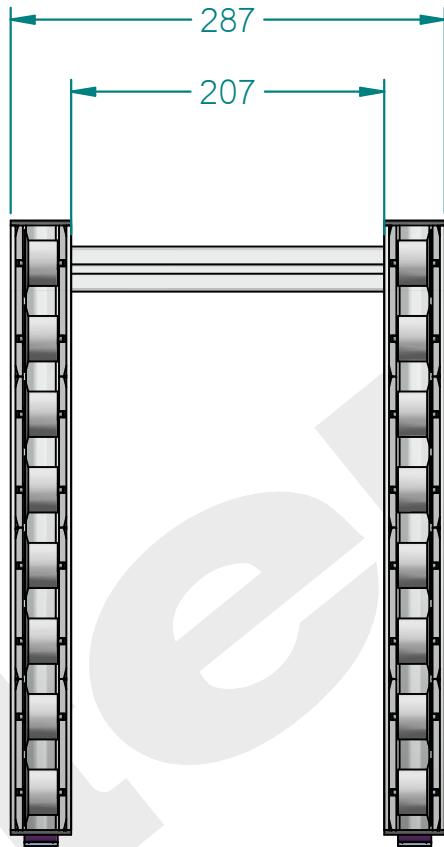
PROJECT NAME: CS-00011207_KARAKURI FRONTAL_ asm	
DESIGN BY:	EdderAcuñaMojal 7/05/2023
DRAWING BY:	EdderAcuñaMojal 7/05/2023
CUSTOMER APPROVAL	

item
MEXICO

SystemSolid Edge 

CUSTOMER: ITEM	
DWG. NAME:	CS-00011207_KARAKURI FRONTAL_ DRAFT
SOLUTION:	REV.:
Unless otherwise specified, all measures are in mm	
PAGE: 15	

2 CONVEYOR | PARTS | FIX RACK



PROYECT NAME: CS-00011207_KARAKURI FRONTAL_ asm	
DESIGN BY:	EdderAcuñaMojat 7/05/2023
DRAWING BY:	EdderAcuñaMojat 7/05/2023
CUSTOMER APPROVAL	

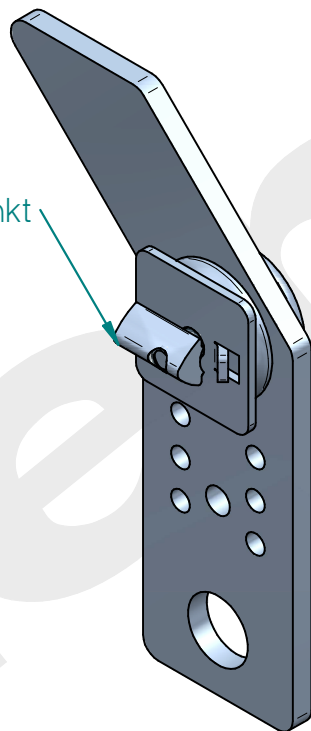
item
MEXICO

SystemSolid Edge 

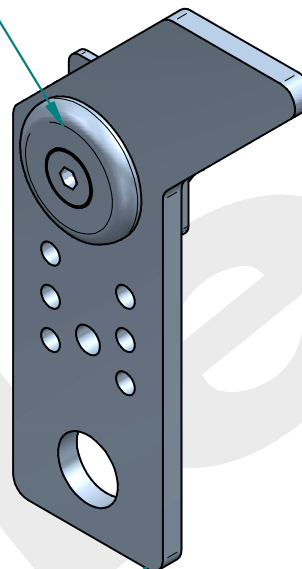
CUSTOMER: ITEM	
DWG. NAME:	CS-00011207_KARAKURI FRONTAL_ DRAFT
SOLUTION:	REV.:
Unless otherwise specified, all measures are in mm	
PAGE: 16	

3 END STOP | PARTS | FIX RACK

Nutenstein 6 St M6, verzinkt
0041940



Bearing Set D30/D16-5 M6
0070210



Release Unit D30 Bar 70/45
0065882

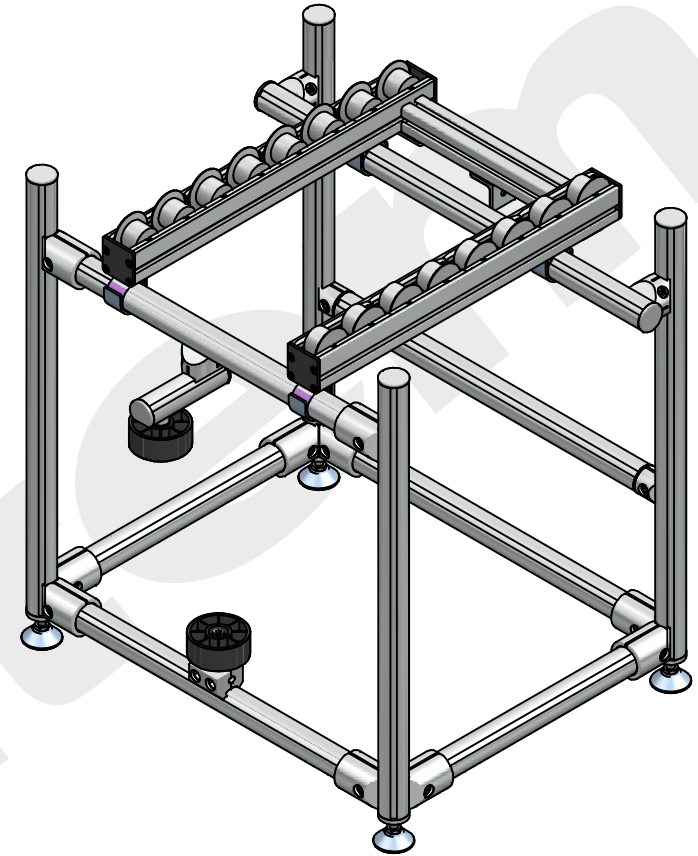
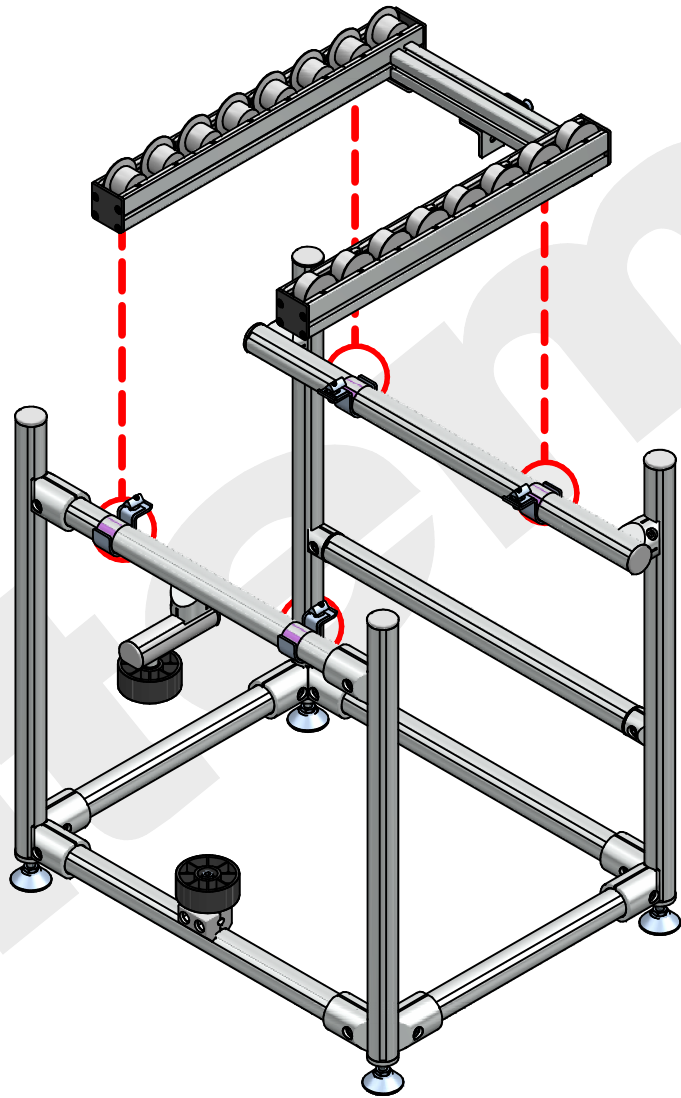
PROYECT NAME:	CS-00011207_KARAKURI FRONTAL_ asm	
DESIGN BY:	EdderAcuñaMojal	7/05/2023
DRAWING BY:	EdderAcuñaMojal	7/05/2023
CUSTOMER APPROVAL		

item
MEXICO

SystemSolid Edge 

CUSTOMER:	ITEM	
DWG. NAME:	CS-00011207_KARAKURI FRONTAL_ DRAFT	
SOLUTION:		REV.:
Unless otherwise specified, all measures are in mm		
		PAGE: 17

ASSEMBLY | STEP 1 | FIX RACK



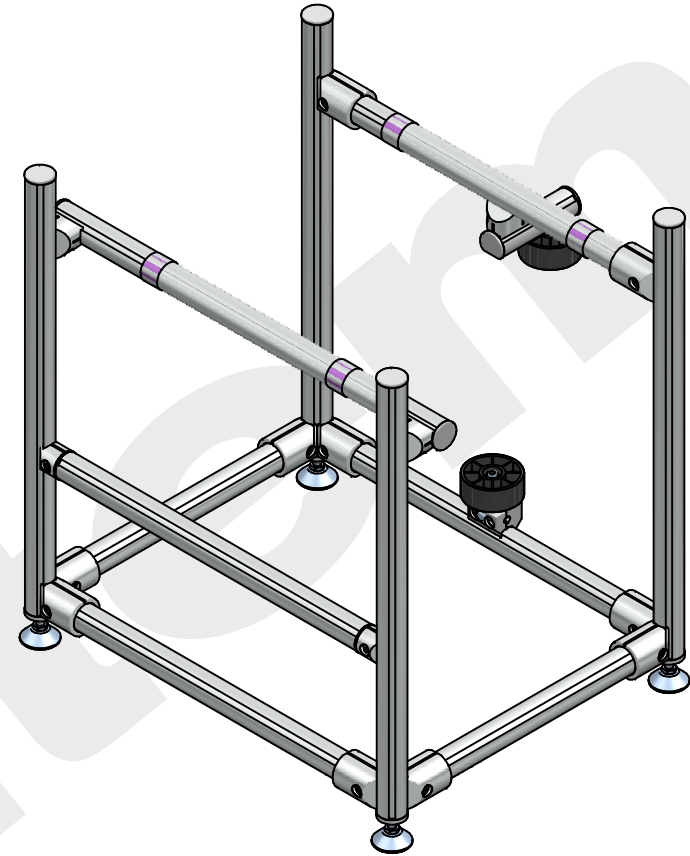
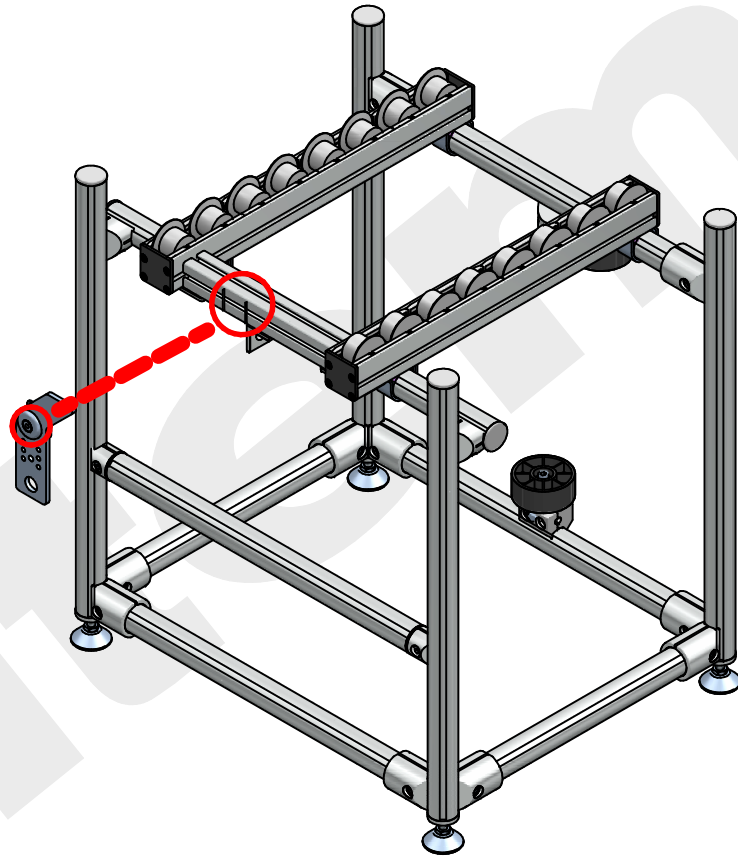
PROJECT NAME:	CS-00011207_KARAKURI FRONTAL_asm	
DESIGN BY:	EdderAcuñaMojat 7/05/2023	
DRAWING BY:	EdderAcuñaMojat 7/05/2023	
CUSTOMER APPROVAL		



SystemSolid Edge

CUSTOMER:	ITEM	
DWG. NAME:	CS-00011207_KARAKURI FRONTAL_DRAFT	
SOLUTION:		REV.:
Unless otherwise specified, all measures are in mm		PAGE: 18

ASSEMBLY | STEP 2 | FIX RACK



PROJECT NAME:	CS-00011207_KARAKURI FRONTAL_ asm	
DESIGN BY:	EdderAcuñaMojal	7/05/2023
DRAWING BY:	EdderAcuñaMojal	7/05/2023
CUSTOMER APPROVAL		

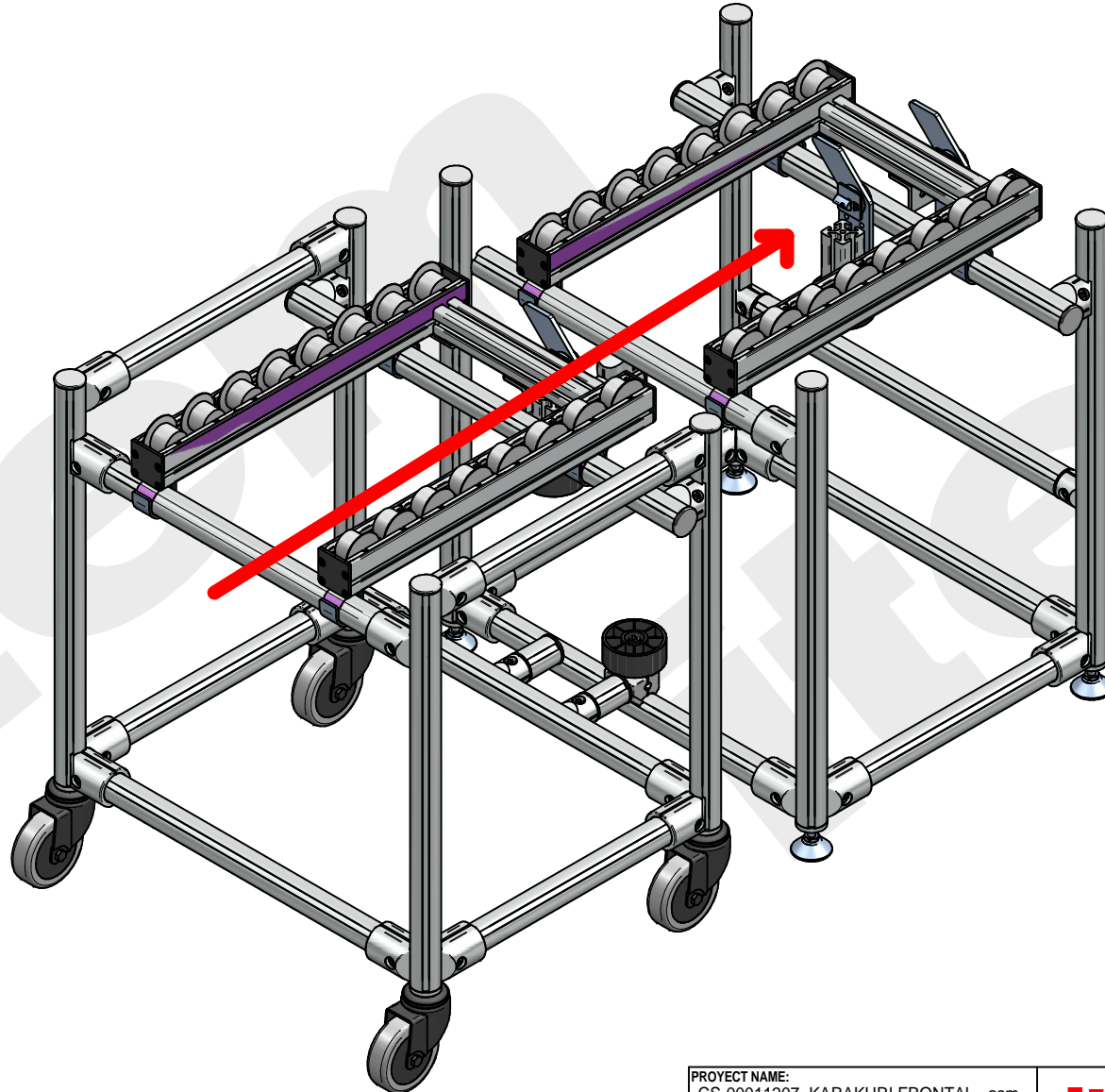


SystemSolid Edge 

CUSTOMER:	ITEM	
DWG. NAME:	CS-00011207_KARAKURI FRONTAL_ DRAFT	
SOLUTION:		REV.:
Unless otherwise specified, all measures are in mm		PAGE: 19

You finished!
Well done, now check the correct mechanism activation and flow of the package.
Adjust if it's necessary.

Thanks a lot!



PROYECT NAME:	CS-00011207_KARAKURI FRONTAL_.asm	
DESIGN BY:	EdderAcuñaMojal	7/05/2023
DRAWING BY:	EdderAcuñaMojal	7/05/2023
CUSTOMER APPROVAL		



CUSTOMER:	ITEM	
DWG. NAME:	CS-00011207_KARAKURI FRONTAL_ DRAFT	
SOLUTION:		REV.:
Unless otherwise specified, all measures are in mm		
		PAGE: 20