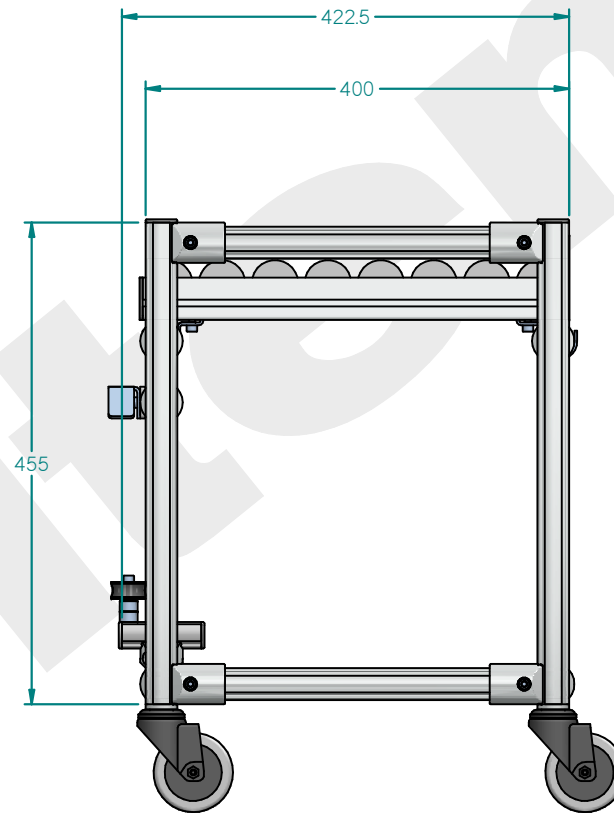
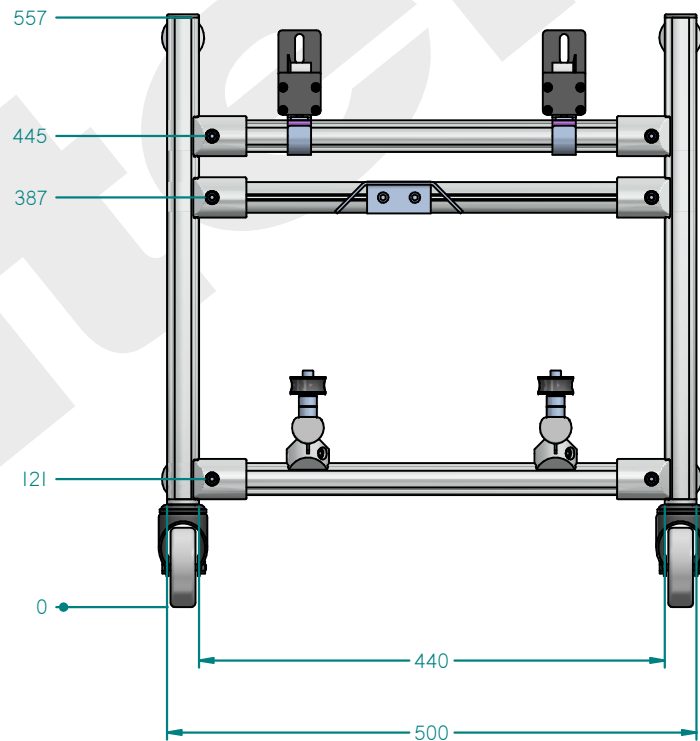
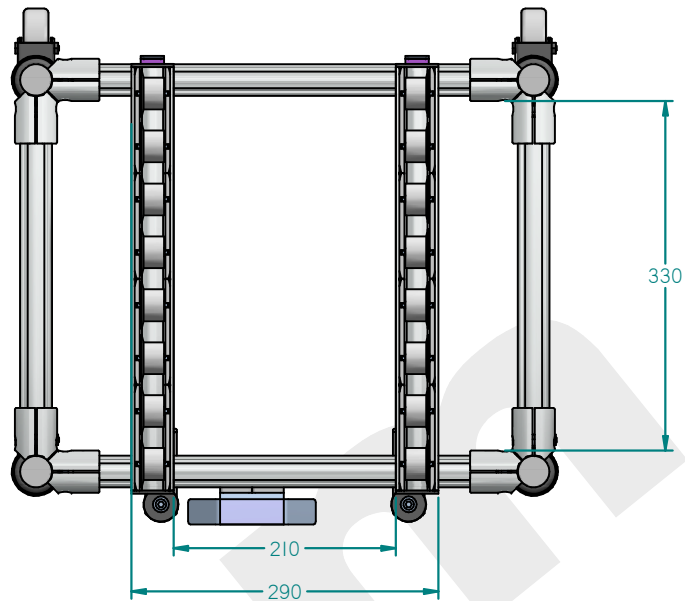


PROJECT NAME:	CS-00011208_KARAKURI FRONTAL_asm	
DESIGN BY:	EdderAcuñaMojat	7/05/2023
DRAWING BY:	EdderAcuñaMojat	7/05/2023
CUSTOMER APPROVAL		



SystemSolid Edge 

CUSTOMER:	ITEM	
DWG. NAME:	CS-00011208_KARAKURI LATERAL_	
SOLUTION:		REV.:
Unless otherwise specified, all measures are in mm		PAGE: 1



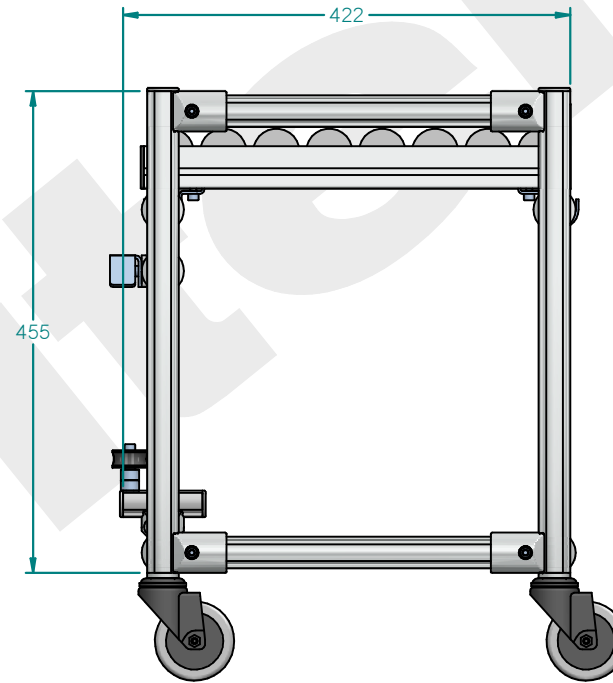
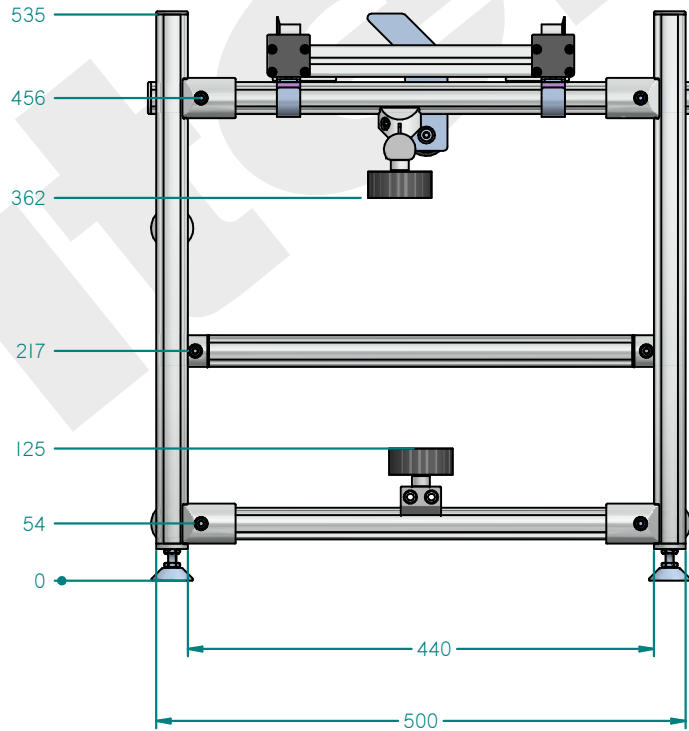
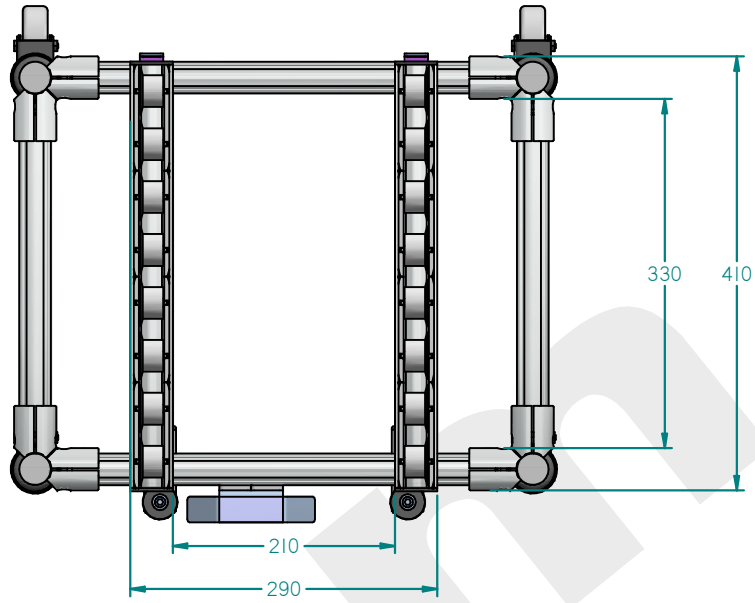
PROYECT NAME:	CS-00011208_KARAKURI FRONTAL_ asm	
DESIGN BY:	EdderAcuñaMora	7/05/2023
DRAWING BY:	EdderAcuñaMora	7/05/2023
CUSTOMER APPROVAL		



SystemSolid Edge



CUSTOMER:	ITEM	
DWG. NAME:	CS-00011208_KARAKURI LATERAL_	
SOLUTION:		REV.:
Unless otherwise specified, all measures are in mm		PAGE: 2



PROYECT NAME:	CS-00011208_KARAKURI FRONTAL_ asm	
DESIGN BY:	EdderAcuñaMoral 7/05/2023	
DRAWING BY:	EdderAcuñaMoral 7/05/2023	
CUSTOMER APPROVAL		

item
MEXICO

SystemSolid Edge

CUSTOMER:	ITEM	
DWG. NAME:	CS-00011208_KARAKURI LATERAL_	
SOLUTION:		REV.:
Unless otherwise specified, all measures are in mm		PAGE: 3