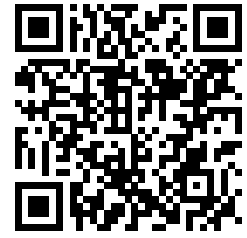


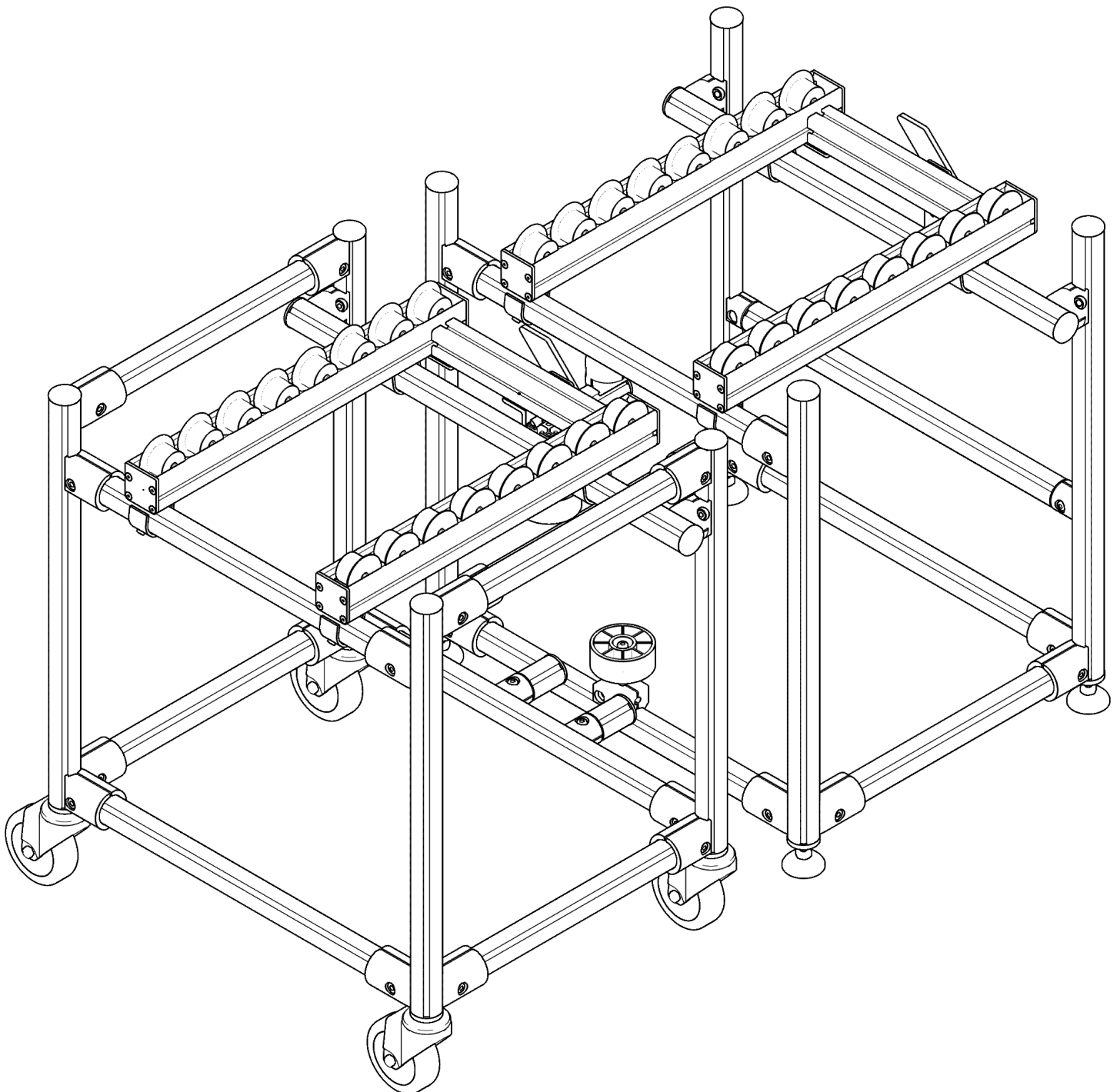
Project overview

Project name: Frontal-Shooter

Project number: 043d1c25e799476891dac1dd09b135755



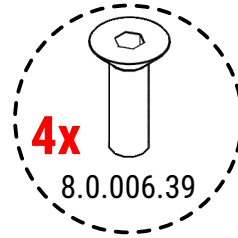
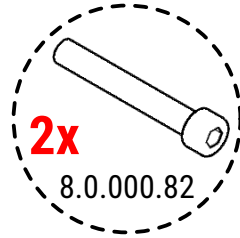
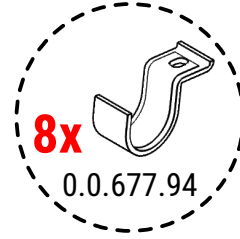
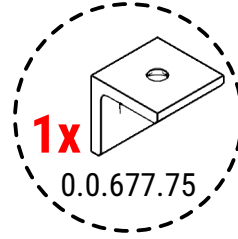
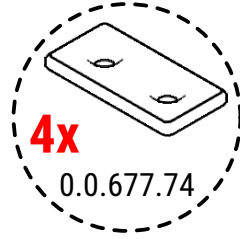
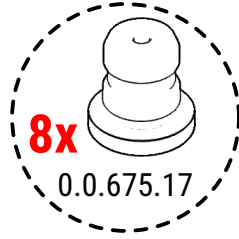
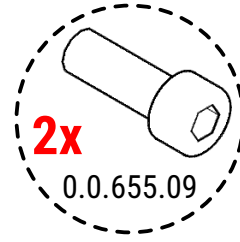
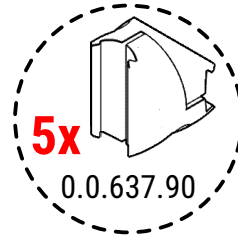
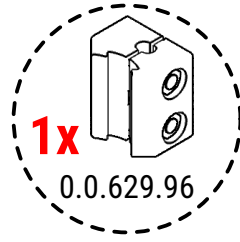
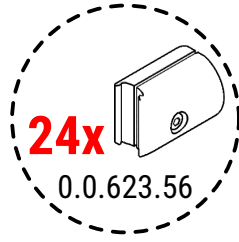
i24.ws/?043d1c25e799476891dac1dd09b135755



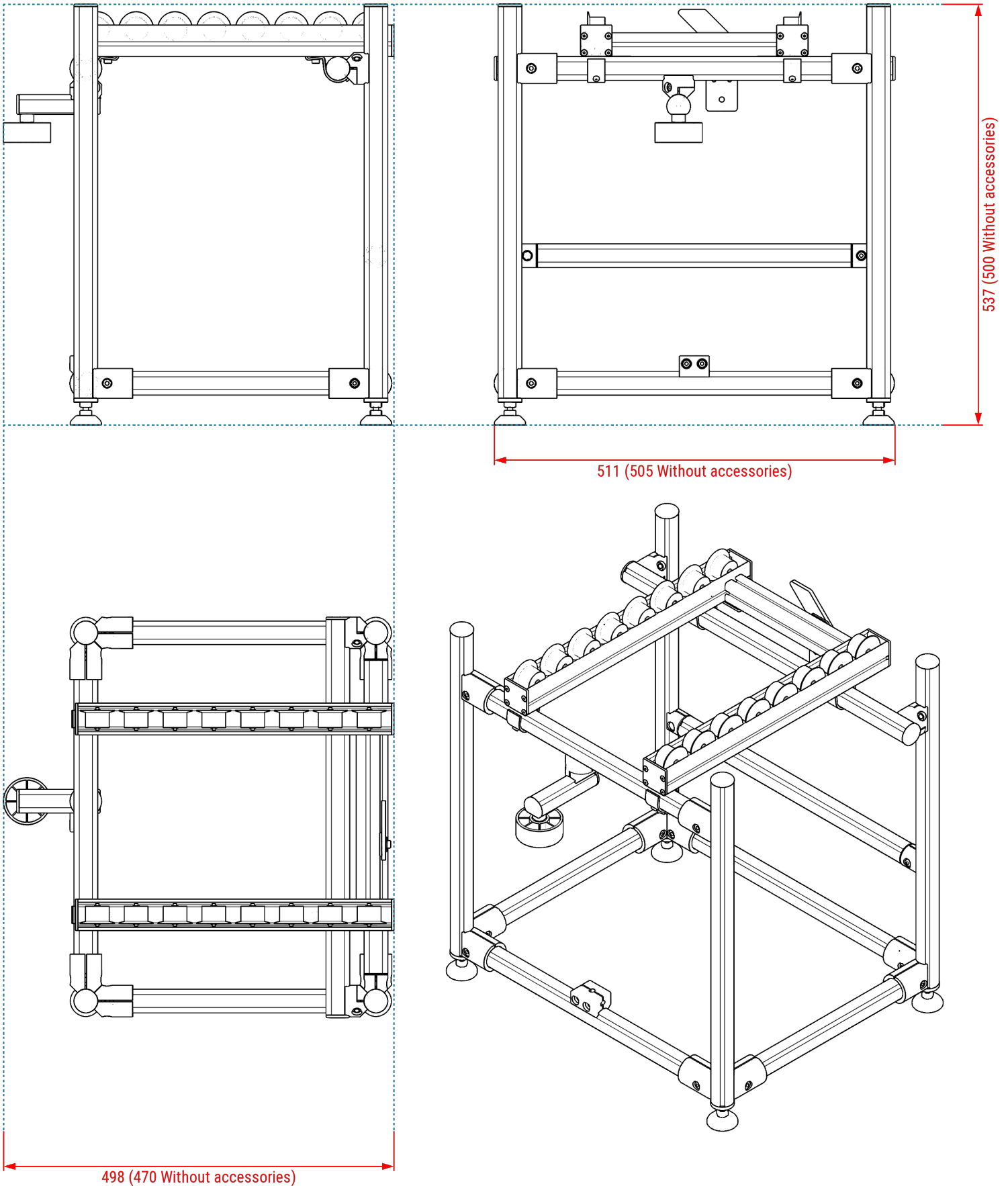
Parts list

| Position | Article designation | Article No. | Quantity |
|----------|---|-------------|----------|
| 1 | Profile 6 30x30, natural, Length: 207mm | 0.0.419.01 | 1 |
| 2 | Profile 6 30x30, natural, Length: 210mm | 0.0.419.01 | 1 |
| 3 | Profile Tube D30, natural, Length: 40mm | 0.0.628.28 | 2 |
| 4 | Profile Tube D30, natural, Length: 300mm | 0.0.628.28 | 6 |
| 5 | Profile Tube D30, natural, Length: 400mm | 0.0.628.28 | 7 |
| 6 | Profile Tube D30, natural, Length: 455mm | 0.0.628.28 | 4 |
| 7 | Profile Tube D30, natural, Length: 500mm | 0.0.628.28 | 4 |
| 8 | Profile Tube D30, natural, Length: 505mm | 0.0.628.28 | 1 |
| 9 | Profile Tube D30, natural, Length: 510mm | 0.0.628.28 | 1 |
| 10 | Profile Tube 8 D30, natural, Length: 100mm | 0.0.663.94 | 1 |
| 11v | Profile 6 30x30 light, natural, Length: 55mm | 0.0.419.06 | 1 |
| 12 | Castor D75 swivel | 0.0.420.14 | 4 |
| 13 | Castor Rail 8 Cap 40x40 | 0.0.622.29 | 8 |
| 14 | Cap, Tube D30, grey similar to RAL 7042 | 0.0.629.78 | 14 |
| 15 | Knuckle Foot D40, M8x80, grey similar to RAL 7042 | 0.0.636.99 | 4 |
| 16 | Roller Conveyor 6 40x40 E D30 with Flanged Wheel, Length: 400mm | 0.0.658.71 | 4 |
| 17 | Release Unit D30 Bar T1 | 0.0.658.84 | 2 |
| 18 | Cap, Profile Tube 8 D30, grey similar to RAL 7042 | 0.0.666.95 | 2 |
| 19 | Spacer Bushing D17/D6-12 | 0.0.681.67 | 2 |
| 20 | Roller D60/D6-25 ESD | 0.0.705.94 | 2 |
| 21 | Roller Set 8 D60/D6-25 ESD | 0.0.712.30 | 1 |
| 22 | T-Slot Nut 6 St M6, stainless | 0.0.439.75 | 2 |
| 23 | Fastener D30 | 0.0.623.56 | 24 |
| 24 | Multiblock D30 | 0.0.629.96 | 1 |
| 25 | Transverse Fastener D30 | 0.0.637.90 | 5 |
| 26 | Hexagon Socket Head Cap Screw DIN 912 M6x16, bright zinc-plated | 0.0.655.09 | 2 |
| 27 | Fastener D30, internal | 0.0.669.52 | 4 |
| 28 | Threaded Insert, Profile Tube D30 M8 Al, natural | 0.0.675.17 | 8 |
| 29 | Bracket 6 30 flat, white aluminium, similar to RAL 9006 | 0.0.677.74 | 4 |
| 30 | Angle Bracket 6 30 right-angled, white aluminium, similar to RAL 9006 | 0.0.677.75 | 1 |
| 31 | Bracket 6 D30 T2 | 0.0.677.94 | 8 |
| 32 | Fastening Set 6 3-5mm with Countersunk Screw M6 | 0.0.680.94 | 10 |
| 33 | Hexagon Socket Head Cap Screw DIN 912 M6x40, bright zinc-plated | 8.0.000.82 | 2 |
| 34 | Countersunk Screw DIN 7991 M8x25, bright zinc-plated | 8.0.006.39 | 4 |

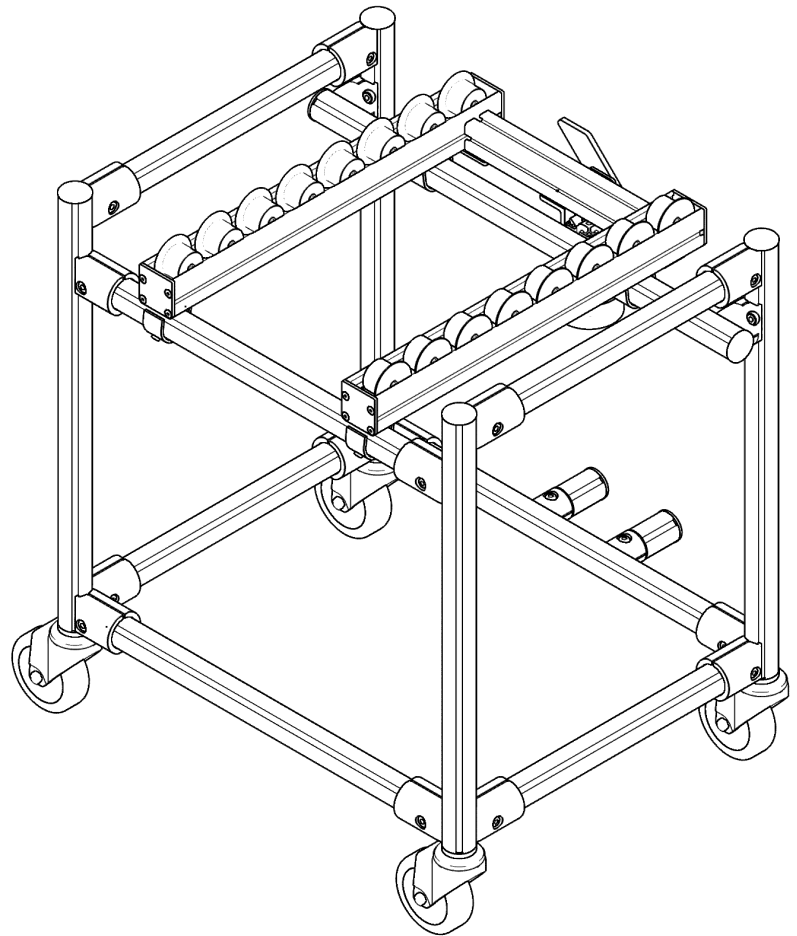
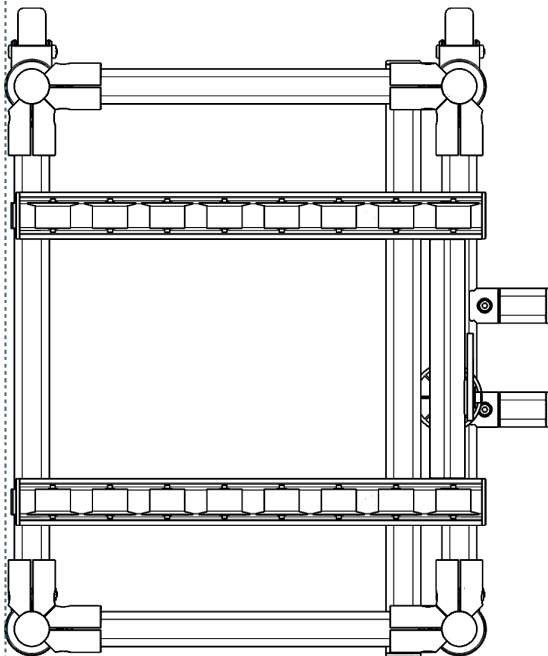
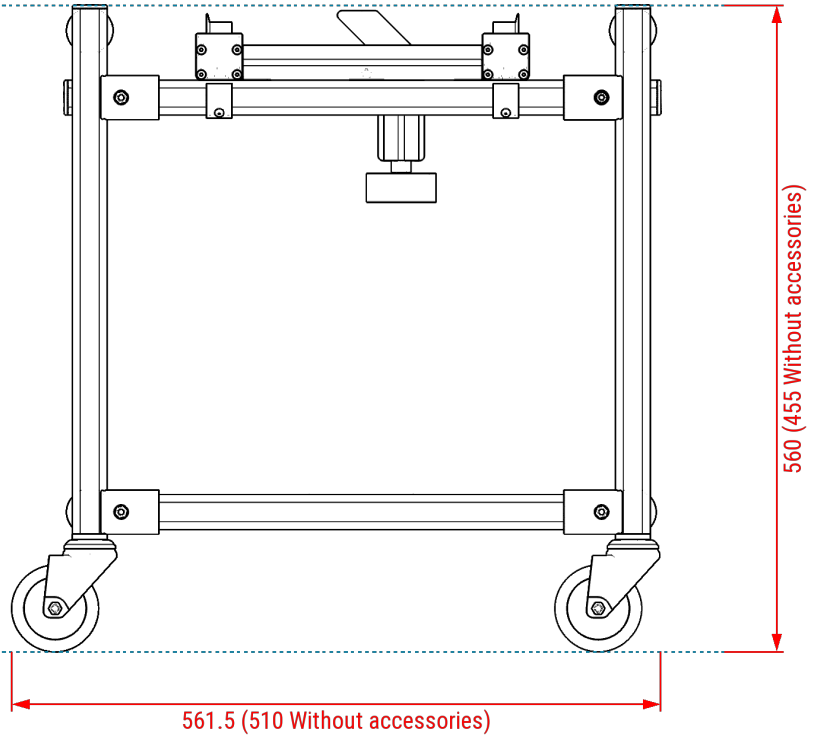
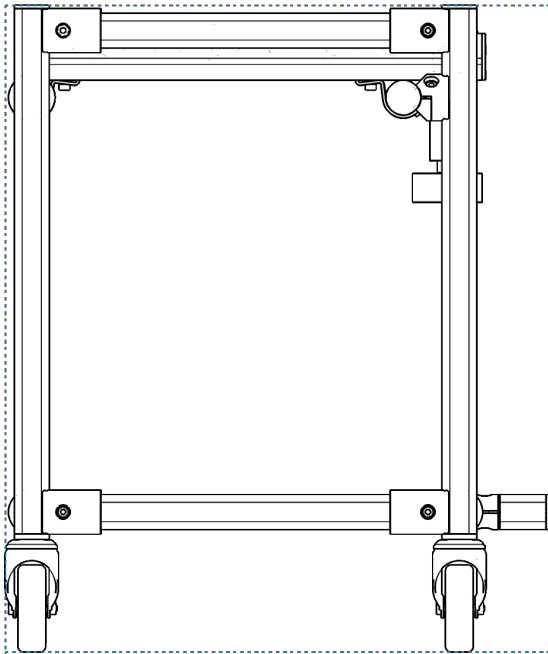
Fasteners (All together)



Multiview projection Assembly 1 / 2



Multiview projection Assembly 2 / 2



471 (460 Without accessories)